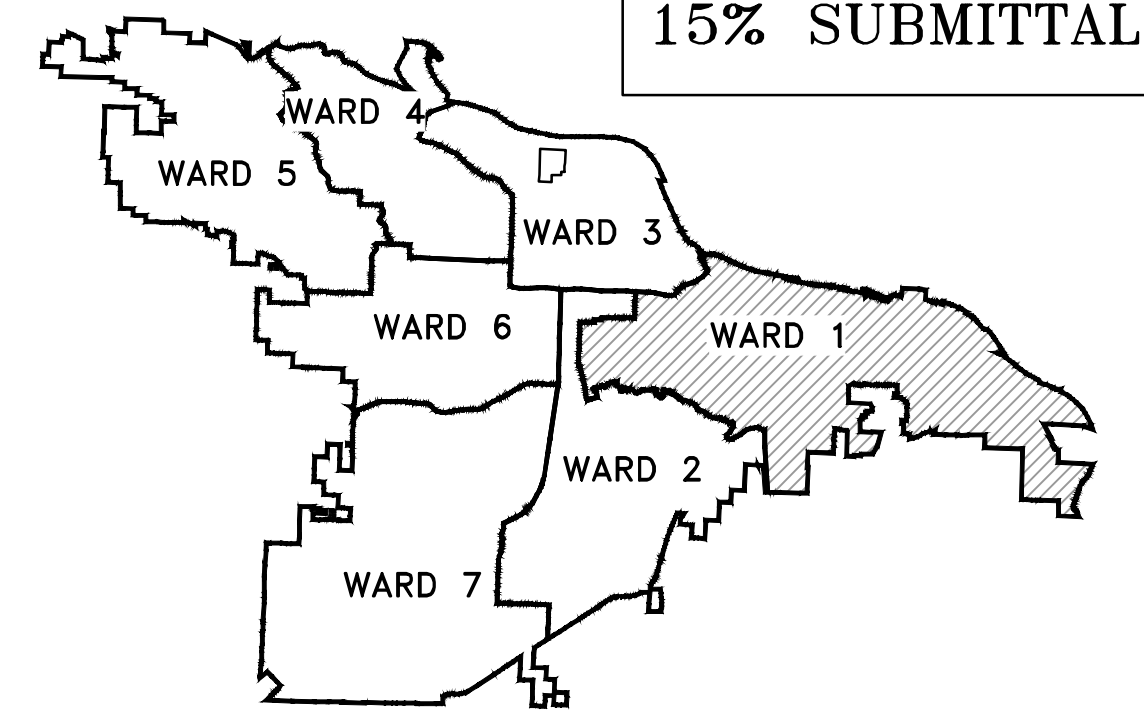


SOUTHWEST TRAIL INTERCHANGE



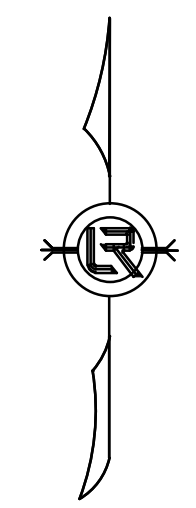
PROJECT LOCATION - WARD 1

Sheet List Table	
Sheet Number	Sheet Title
C1	COVER SHEET
C2	LEGEND & QUANTITIES
C3	TYPICAL SECTIONS
C4	OVERALL SITE PLAN
C5	SITE ENLARGEMENT



LOCATION

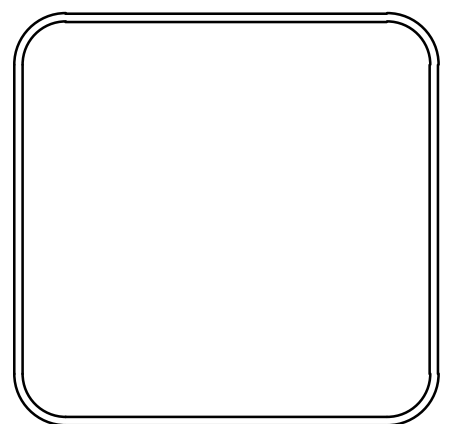
DEPARTMENT OF PUBLIC WORKS
 CIVIL ENGINEERING
 701 WEST MARKHAM STREET
 LITTLE ROCK, ARKANSAS 72201



REVISIONS	DATE

CITY OF LITTLE ROCK, ARKANSAS
 SOUTHWEST TRAIL INTERCHANGE
 COVER SHEET

DEPARTMENT OF PUBLIC WORKS
 CIVIL ENGINEERING
 701 W. MARKHAM
 LITTLE ROCK, ARKANSAS 72201



DRAWN BY	AS
DESIGNED	AT
CHECKED	BAP
DATE	09-13-2023
SCALE	SEE SCALEBAR
PROJECT NO.	XXXXXXX
SHEET NO.	C1


10825 Financial Center Parkway, Suite 300
 Little Rock, Arkansas 72211

Crafton Tull
 engineering | surveying
 501.664.3245 | 501.664.6704 | www.craftontull.com

CERTIFICATE OF AUTHORIZATION:
 JOB: 23802800

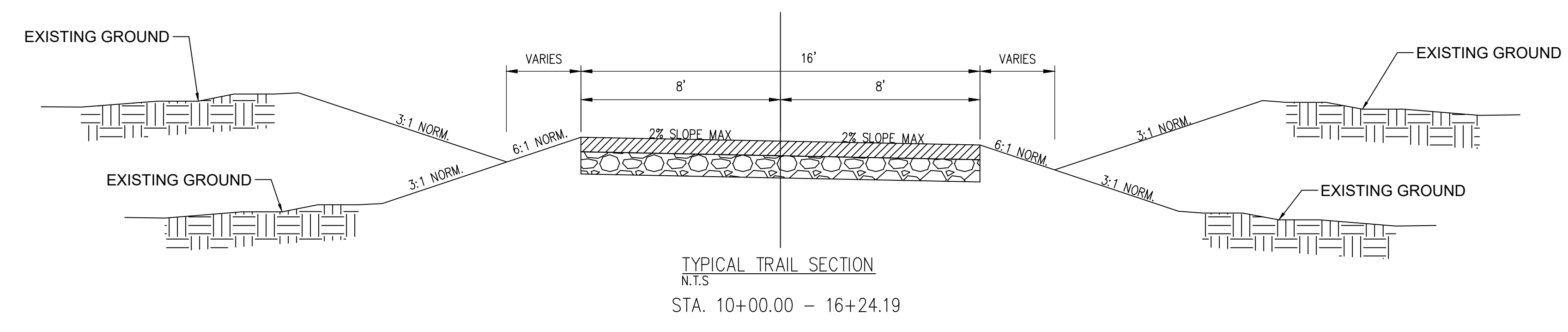
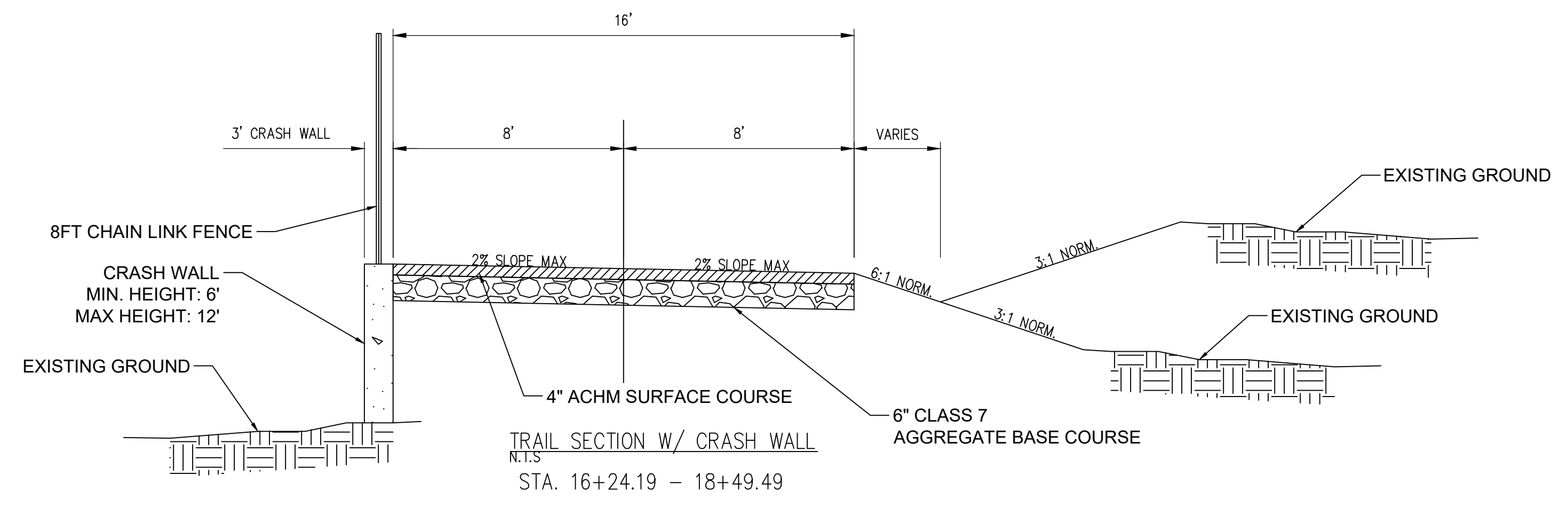
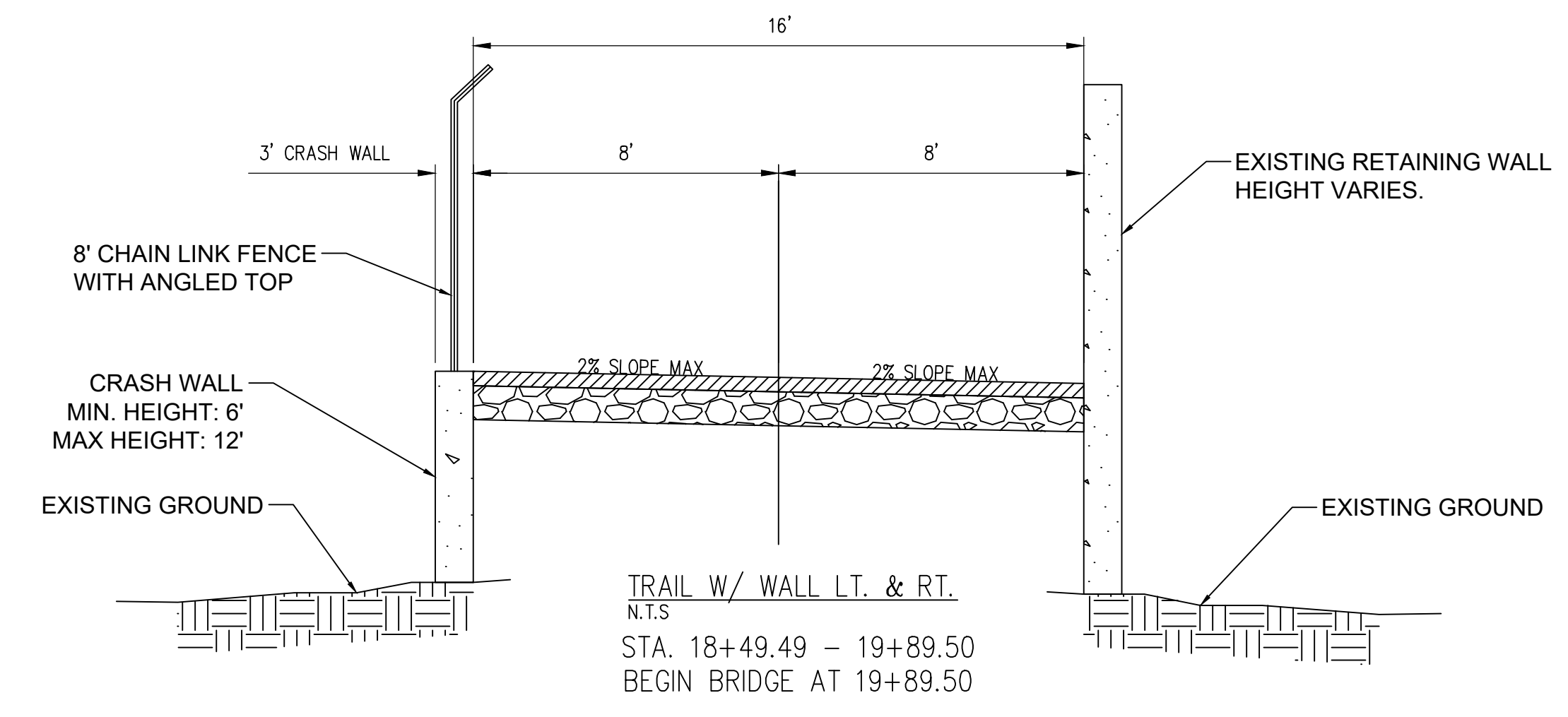
EXISTING		PROPOSED
IRON ROD	○ IR	PROPOSED CONTOUR
PK NAIL	○ PK	PROPOSED SPOT ELEVATION
R.R. SPIKE	○ RR(Sp)	PROPOSED SPOT CURB ELEVATION
CONC. MONUMENT	□ CM	STORM SEWER – PIPE
WATER VALVE	⊗ WV	STORM SEWER – MITERED END SECTION
WATER METER	□ WM	STORM SEWER – GRATE INLET
FIRE HYDRANT	∇ FH	STORM SEWER – JUNCTION BOX
GAS METER	⊗ GM	STORM SEWER – FLARED END SECTION
GAS VALVE	⊗ GV	STORM SEWER – HEADWALL
CLEAN-OUT	○ CO	STORM SEWER – SINGLE WING
GUARD POST (BOLLARD)	• GP	STORM SEWER – DOUBLE WING
SIGN POST	+	STORM SEWER – AREA INLET
BENCHMARK	⊕	GRADE BREAK LINE
STORM SEWER MANHOLE	⊙	HIGH POINT
SANITARY SEWER MANHOLE	⊙	LOW POINT
TELEPHONE MANHOLE	⊙	CUT LINE
ELECTRIC MANHOLE	⊙	FILL LINE
TELEPHONE BOX	⊙	SANITARY SEWER PIPE
ELECTRIC BOX	⊙	SANITARY SEWER MANHOLE
CABLE BOX	⊙	PROPOSED CURB
UTILITY POLE	⊙	PROPOSED CONCRETE
GUY WIRE	⊙	CONSTRUCTION – ENTRANCE/EXIT
LIGHT POLE	⊙	CHECK DAM
POST OR POLE (TYPE AS NOTED)	⊙	DIVERSION BERM
MAILBOX	⊙	DOWNDRAIN STRUCTURE – TEMPORARY
DECIDUOUS TREE	⊙	ROCK DAM
EVERGREEN/CONIFEROUS TREE	⊙	SEDIMENT BARRIER – SILT FENCE
BUSH	⊙	SEDIMENT BARRIER – GRAVEL RING
PROPERTY LINE	—	SEDIMENT BARRIER – BLOCK & GRAVEL
SETBACK LINE	—	SEDIMENT BARRIER – BLOCK
EASEMENT LINE	—	TEMPORARY SEDIMENT BASIN
CURB	—	SILT FENCE – TYPE A
FENCE	—	SILT FENCE – TYPE B
OVERHEAD ELECTRIC	—	SILT FENCE – TYPE C
OVERHEAD TELEPHONE	—	STORM DRAIN OUTLET PROTECTION
OVERHEAD CABLE	—	SURFACE ROUGHENING
UNDERGROUND TELEPHONE	—	DISTURBED AREA STABILIZATION –TEMPORARY STABILIZATION
UNDERGROUND ELECTRIC	—	DISTURBED AREA STABILIZATION –TEMPORARY GRASSING
UNDERGROUND CABLE	—	DISTURBED AREA STABILIZATION –PERMANENT GRASSING
WATER LINE	—	MATTING/BLANKETS
SEWER LINE	—	
GAS LINE	—	
STORM SEWER/CULVERT	—	
EDGE OF WOODS	—	
CONTOUR LINE	—	

DEPARTMENT OF PUBLIC WORKS
CIVIL ENGINEERING
701 W. MARKHAM
LITTLE ROCK, ARKANSAS 72201



DRAWN BY
AS
DESIGNED
AT
CHECKED
BAP
DATE
09-13-2023
SCALE
SEE SCALEBAR
PROJECT NO.
XXXXXXX
SHEET NO.
C2

REVISIONS	DATE



CITY OF LITTLE ROCK, ARKANSAS
SOUTHWEST TRAIL INTERCHANGE
TYPICAL SECTIONS

DEPARTMENT OF PUBLIC WORKS
CIVIL ENGINEERING
701 W. MARKHAM
LITTLE ROCK, ARKANSAS 72201

DRAWN BY
AS
DESIGNED
AT
CHECKED
BAP
DATE
09-13-2023
SCALE
SEE SCALEBAR
PROJECT NO.
XXXXXXX
SHEET NO.
C3

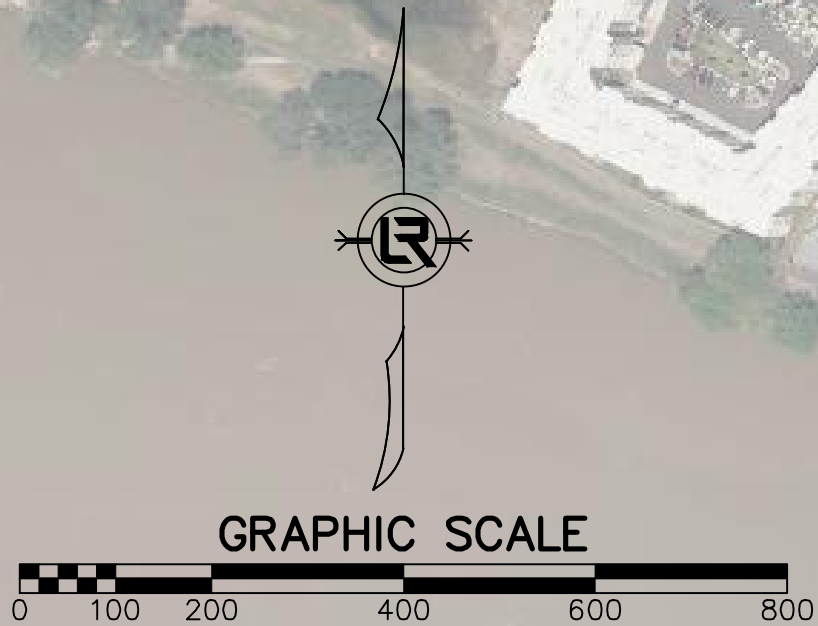


15% SUBMITTAL

REVISIONS	DATE

CITY OF LITTLE ROCK, ARKANSAS
SOUTHWEST TRAIL INTERCHANGE

OVERALL SITE PLAN



DEPARTMENT OF PUBLIC WORKS
CIVIL ENGINEERING
701 W. MARKHAM
LITTLE ROCK, ARKANSAS 72201

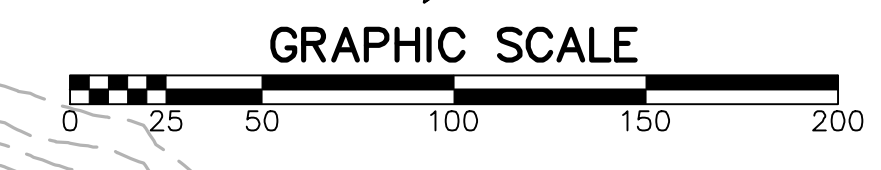
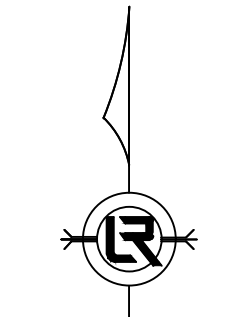
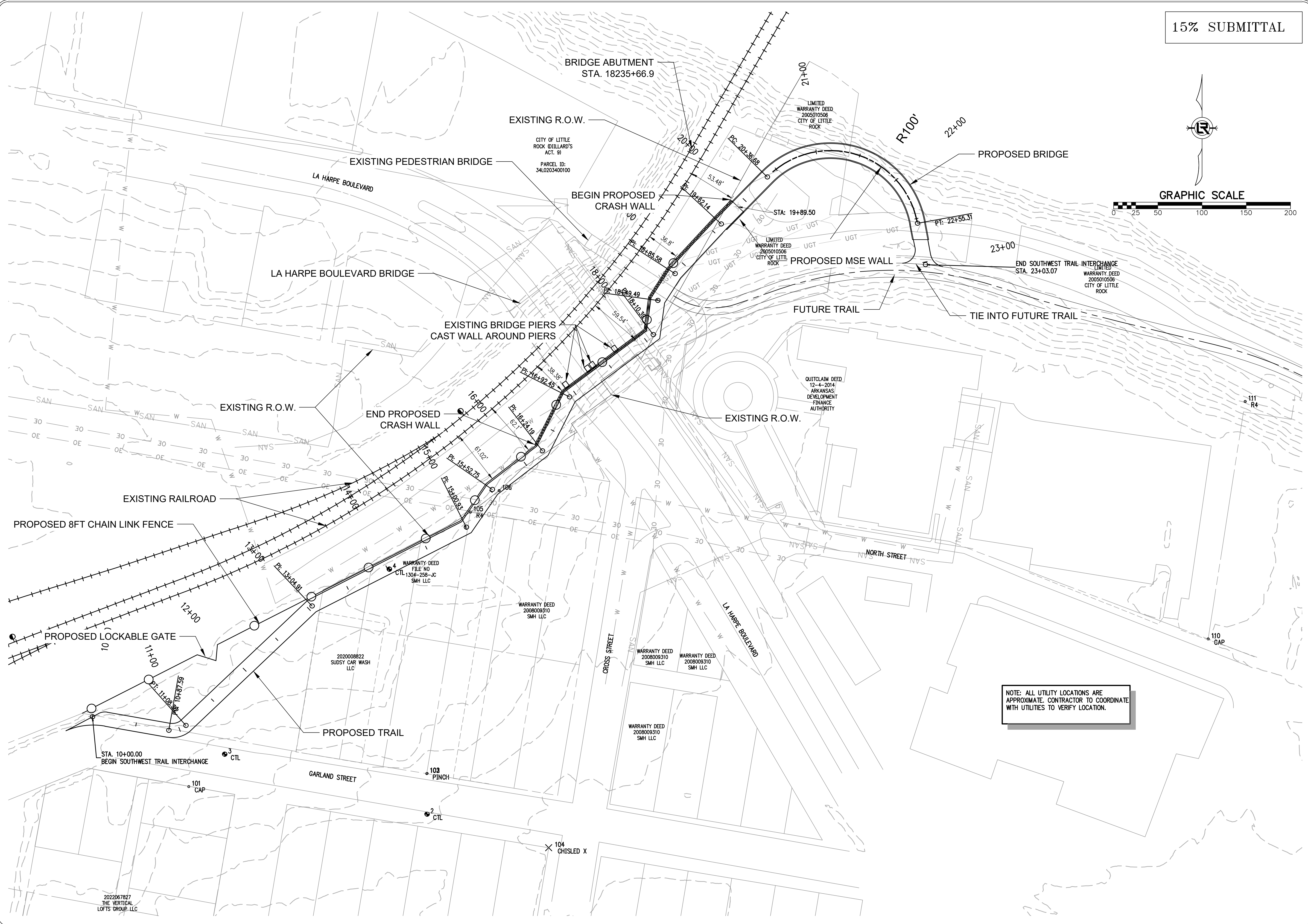


DRAWN BY
AS
DESIGNED
AT
CHECKED
BAP
DATE
09-13-2023
SCALE
SEE SCALEBAR

PROJECT NO.
XXXXXXX
SHEET NO.
C4

15% SUBMITTAL

REVISIONS	DATE



CITY OF LITTLE ROCK, ARKANSAS
 SOUTHWEST TRAIL INTERCHANGE
 SITE ENLARGEMENT

DEPARTMENT OF PUBLIC WORKS
 CIVIL ENGINEERING
 701 W. MARKHAM
 LITTLE ROCK, ARKANSAS 72201

DRAWN BY
 AS
 DESIGNED
 AT
 CHECKED
 BAP
 DATE
 09-13-2023
 SCALE
 SEE SCALEBAR
 PROJECT NO.
 XXXXXX
 SHEET NO.
C5

2022067827
 THE VERTICAL
 LOFTS GROUP, LLC