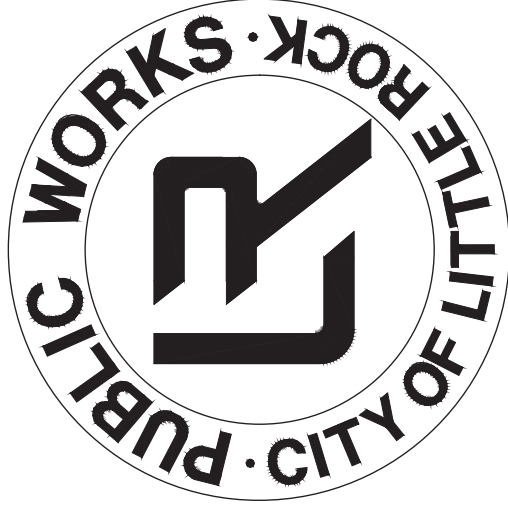


CLR PROJECT 03-15-DR-95

S. VALENTINE STREET

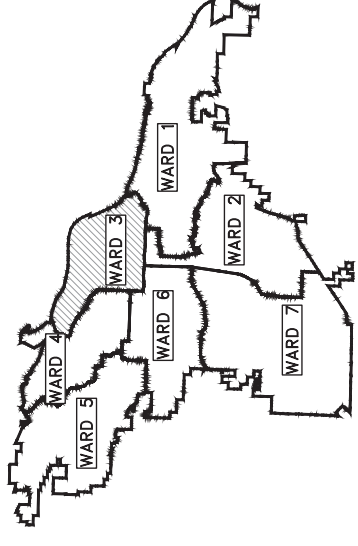
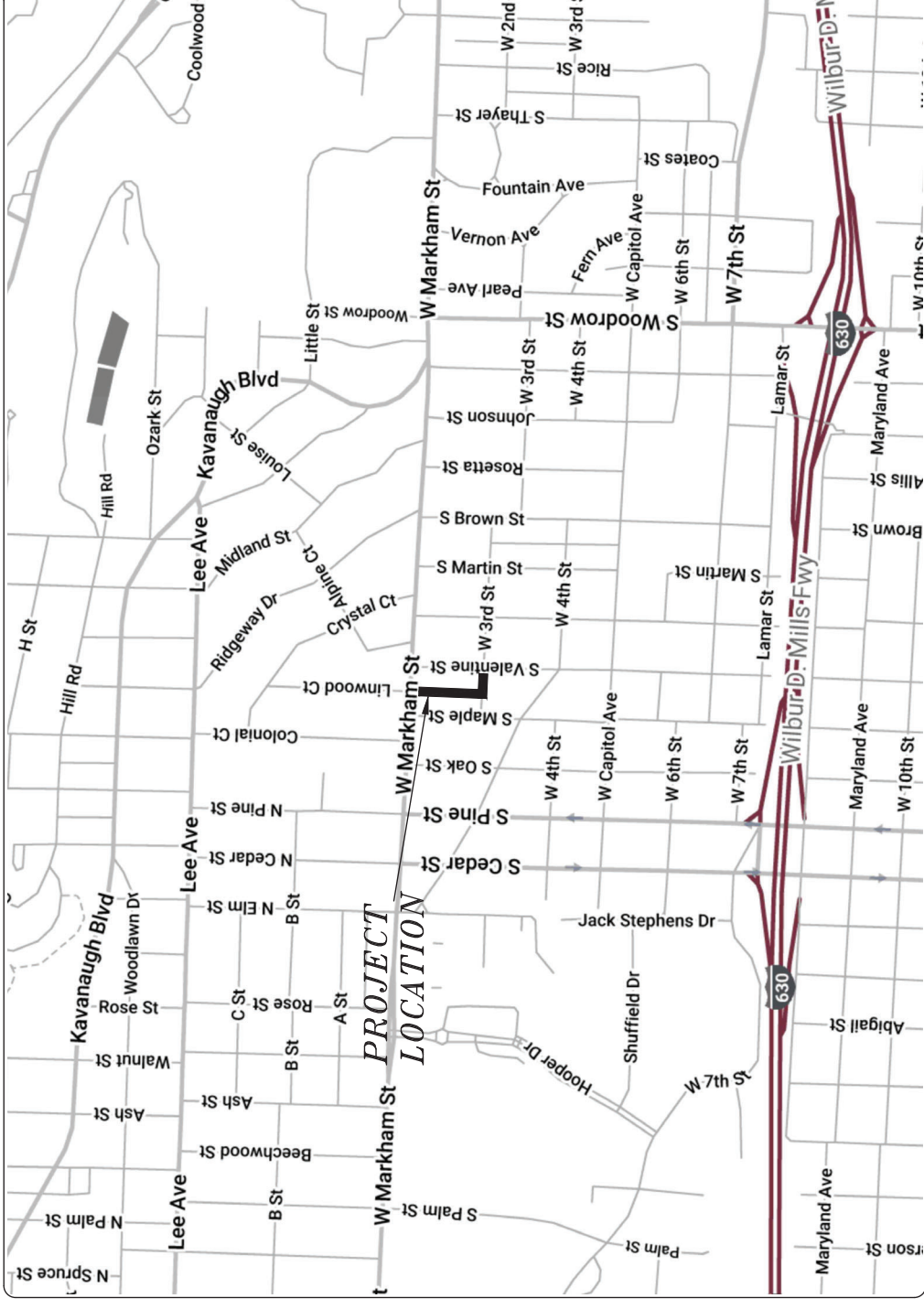
DRAINAGE IMPROVEMENTS

MARKHAM STREET TO WEST 3RD STREET



2019-2021
BOND PROGRAM

DEPARTMENT OF PUBLIC WORKS
 CIVIL ENGINEERING
 701 WEST MARKHAM STREET
 LITTLE ROCK, ARKANSAS 72201



PROJECT LOCATION - WARD 3

SHEET NO.	COVER SHEET	TITLE
C1	COVER SHEET	
C2	QUANTITIES & DETAILS	
C3	TYPICAL SECTIONS	
C4 - C8	SPECIAL DETAILS	
C9	FIELD TIES/LAYOUT	
C10	BOX CULVERT 1	
C11	BOX CULVERT 2	
C12	ALLEY	
C13	DRIVEWAY DETAILS 1	
C14	EROSION CONTROL	
C15	MAINTENANCE OF TRAFFIC	
C16	CROSS SECTIONS	

C17 SANITARY SEWER RELOCATION

REVISIONS	DATE

CITY OF LITTLE ROCK, ARKANSAS
 S. VALENTINE STREET DRAINAGE IMPROVEMENTS
 COVER SHEET

DEPARTMENT OF PUBLIC WORKS
 CIVIL ENGINEERING
 701 W. MARKHAM
 LITTLE ROCK, ARKANSAS 72201



DRAWN BY	MJM
DESIGNED	MJM
CHECKED	MJM
RCC	
DATE	2-3-2020
SCALE	N.T.S.
PROJECT NO.	03-15-DR-95
SHEET NO.	C1



4701 Northshore Drive
 North Little Rock, AR 72118
 501-376-3633

CLR PROJECT# 03-15-DR-95		
S. VALENTINE STREET DRAINAGE IMPROVEMENTS		
February 3, 2020		
ITEM #	ITEM DESCRIPTION	UNIT QUANTITY
2.01	SITE PREPARATION	LS 1
3.01	UNCLASSIFIED EXCAVATION	CY 60
3.06	BORROW MATERIAL	CY 60
3.40	TOPSOIL	CY 93
4.01	AGGREGATE BASE COURSE	TON 116
6.01	ACHM SURFACE COURSE	TON 37
7.06	CONCRETE DRIVEWAY (6" THICK), STANDARD FINISH	SF 436
7.08	ALLEY TURNOUT (8" THICK)	SF 215
8.03	CONCRETE CURB AND GUTTER (CLASS 3)	LF 204
8.05	CONCRETE CURB AND GUTTER (TYPE SPECIAL)	LF 40
9.04	CONCRETE SIDEWALK (4" THICK)	SF 73
10.02	AREA INLET	EA 2
10.03	JUNCTION BOX WITH GRATE	EA 1
10.04	CURB INLET - 4' BOX	EA 6
10.10	WING 6' EXTENSION	EA 3
10.14	WING 10' EXTENSION	EA 4
11.01	8'x3' REINFORCED CONCRETE PRECAST BOX CULVERT	LF 503
11.03	REINFORCED CONCRETE BOX CULVERT TRANSITION	CY 15
11.11	CONCRETE PIPE COLLAR	EA 1
13.18S	STORM DRAIN PIPE, 18" SIDE DRAIN	LF 9
13.24X	STORM DRAIN PIPE, 24" CROSS DRAIN	LF 36
13.30S	STORM DRAIN PIPE, 30" SIDE DRAIN	LF 7
14.01	SOLID SODDING, BERMUDA	SY 839
16.01	MAINTENANCE OF TRAFFIC	LS 1
17.02	CUT & REPAIR EXISTING STREET	SY 275
19.01	FINAL CLEANUP	LS 1
24.02	CHECK DAM (CD)	CY 5
24.06	SEDIMENT BARRIER, SILT FENCE (SD1)	EA 8
24.09	SEDIMENT BARRIER, BLOCK (SD4)	EA 9
24.12	SILT FENCE - TYPE B (SFB)	LF 384
25.04	FENCE CHAIN LINK (4')	LF 48
25.16	FENCE WOOD (6')	LF 238
25.44	FENCE GATE, CHAIN LINK DOUBLE SWING (4')	LF 9
25.56	FENCE GATE, WOOD (6')	LF 16
26.10	TRENCH & EXCAVATION SAFETY	LS 1

GENERAL NOTES:

- ALL EXISTING STRUCTURES OR UTILITIES WITHIN THE LIMITS OF EXISTING OR PROPOSED EASEMENTS SHALL REMAIN UNDISTURBED UNLESS OTHERWISE NOTED ON THE PLANS.
- WHERE EXCAVATION ENDANGERS THE STABILITY OF A BUILDING, WALL, STREET, UTILITIES OR OTHER INSTALLATION, THE CONTRACTOR SHALL PROVIDE SUPPORT SYSTEMS SUCH AS SHORING, BRACING, OR UNDERPINNING TO ENSURE STABILITY OF SUCH STRUCTURE OR UTILITY. PRIOR TO CONSTRUCTION OF THE SHORING SYSTEM, THE CONTRACTOR SHALL SUBMIT THE DESIGN AND DETAILS OF THE SYSTEM TO THE ENGINEER FOR INFORMATIONAL AND RECORD PURPOSES. THE DESIGN AND DETAILS SHALL BE PREPARED AND/OR APPROVED BY A PROFESSIONAL ENGINEER REGISTERED IN ARKANSAS. THE CONTRACTOR SHALL BE RESPONSIBLE FOR THE ADEQUACY OF THE TEMPORARY SHORING DURING THE ENTIRE PERIOD OF CONSTRUCTION.

EXISTING

IRON ROD	O IR
PK NAIL	O PK
R.R. SPIKE	O RR(Sp)
CONC. MONUMENT	O M
WATER VALVE	X WV
WATER METER	W M
FIRE HYDRANT	Y FH
GAS METER	Z GM
GAS VALVE	Q GV
CLEAN-OUT	O CO
GUARD POST (BOLLARD)	* GP
SIGN POST	+
BENCHMARK	⊕
STORM SEWER MANHOLE	⊙
SANITARY SEWER MANHOLE	⊙
TELEPHONE MANHOLE	⊙
ELECTRIC MANHOLE	⊙
TELEPHONE BOX	⊙
ELECTRIC BOX	⊙
CABLE BOX	⊙
UTILITY POLE	⊙
GUY WIRE	⊙
LIGHT POLE	⊙
POST OR POLE (TYPE AS NOTED)	⊙
MAILBOX	⊙
DECIDUOUS TREE	⊙
EVERGREEN/CONIFEROUS TREE	⊙
BUSH	⊙
PROPERTY LINE	---
SETBACK LINE	---
EASEMENT LINE	---
CURB	---
FENCE	X --- X
OVERHEAD UTILITY	--- OHU ---
UNDERGROUND TELEPHONE	--- UGT ---
UNDERGROUND ELECTRIC	--- UGE ---
WATER LINE	8" --- 8" --- 8" ---
SEWER LINE	8" --- 8" --- 8" ---
GAS LINE	8" --- 8" --- 8" ---
STORM SEWER/CULVERT	24" --- CMP/RCP/DIP ---
CONTOUR LINE	---

PROPOSED

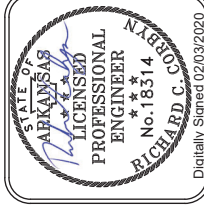
CONTOUR	---
SPOT ELEVATION	25.00
SPOT CURB ELEVATION	25.00
STORM SEWER - PIPE	---
STORM SEWER - MITERED END SECTION	---
STORM SEWER - GRATE INLET	---
STORM SEWER - JUNCTION BOX	---
STORM SEWER - FLARED END SECTION	---
STORM SEWER - HEADWALL	---
STORM SEWER - INLET WITH SINGLE EXTENSION	---
STORM SEWER - INLET WITH DOUBLE EXTENSION	---
STORM SEWER - AREA INLET	---
GRADE BREAK LINE	---
HIGH POINT	HP
LOW POINT	LP
CUT LINE	C
FILL LINE	F
SANITARY SEWER PIPE	---
SANITARY SEWER MANHOLE	---
CURB	---
CONCRETE	---
CONSTRUCTION - ENTRANCE/EXIT	---
CHECK DAM	---
DIVERSION BERM	---
DOWNDRAIN STRUCTURE - TEMPORARY	---
ROCK DAM	---
SEDIMENT BARRIER - SILT FENCE	---
SEDIMENT BARRIER - GRAVEL RING	---
SEDIMENT BARRIER - BLOCK & GRAVEL	---
SEDIMENT BARRIER - BLOCK	---
TEMPORARY SEDIMENT BASIN	---
SILT FENCE - TYPE A	---
SILT FENCE - TYPE B	---
SILT FENCE - TYPE C	---
STORM DRAIN OUTLET PROTECTION	---
SURFACE ROUGHENING	---
DISTURBED AREA STABILIZATION - TEMPORARY STABILIZATION	---
DISTURBED AREA STABILIZATION - TEMPORARY GRASSING	---
DISTURBED AREA STABILIZATION - PERMANENT GRASSING	---
MATTING/BLANKETS	---

CONSTRUCTION SCHEDULE FOR SANITARY SEWER RELOCATION			
2.01	1.00	LS	SITE PREPARATION
3.01	364.00	CY	UNCLASSIFIED EXCAVATION
SS1.1	357.00	LF	8" SDR 26 PVC PIPE INSTALLED
SS2.0	1.00	EA	MANHOLE, UP TO 6' IN DEPTH
SS2.1	2.00	EA	MANHOLE, UP TO 10' IN DEPTH
SS2.2	2.00	EA	CONNECTION TO EXISTING MANHOLE
16.01	1.00	LS	TRAFFIC MAINTENANCE
17.01	38.00	SY	PAVEMENT REPAIRS
20.01	65.00	TON	CLASS 1 EMBEDMENT FOR FLEXIBLE PIPE
20.02	364.00	CY	SELECT BACKFILL
23.03	131.00	TON	CLASS 7 BACKFILL

REVISIONS	DATE

CITY OF LITTLE ROCK, ARKANSAS
S. VALENTINE STREET DRAINAGE IMPROVEMENTS
QUANTITIES & DETAILS

DEPARTMENT OF PUBLIC WORKS
CIVIL ENGINEERING
701 W. MARKHAM
LITTLE ROCK, ARKANSAS 72201



DRAWN BY	MJM
DESIGNED	MJM
CHECKED	MJM
RCC	
DATE	2-3-2020
SCALE	N.T.S.
PROJECT NO.	03-15-DR-95
SHEET NO.	C2

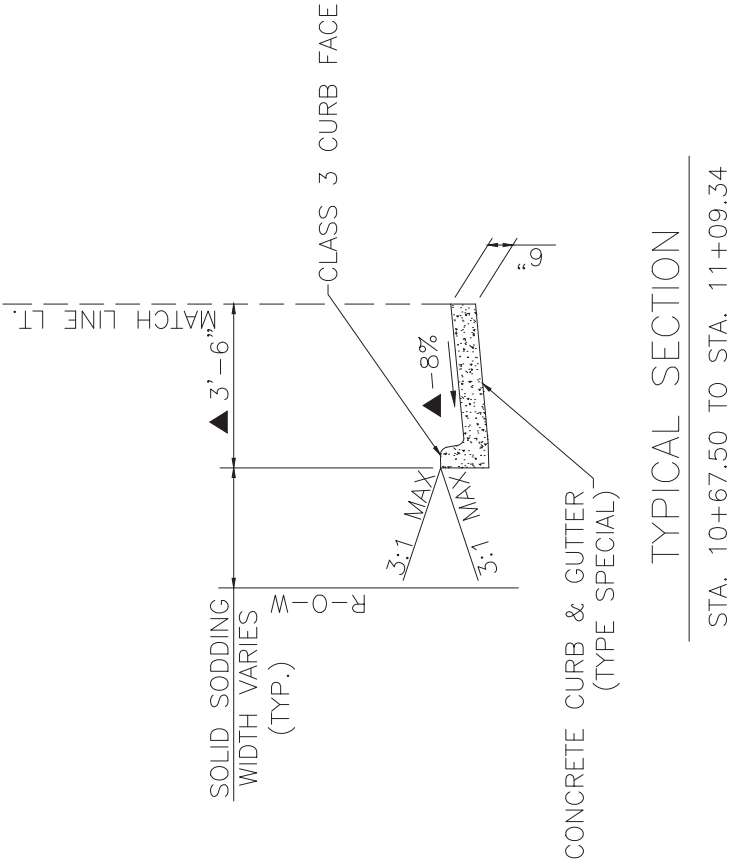
REVISIONS	DATE

CITY OF LITTLE ROCK, ARKANSAS
S. VALENTINE STREET DRAINAGE IMPROVEMENTS
 TYPICAL SECTIONS

DEPARTMENT OF PUBLIC WORKS
 CIVIL ENGINEERING
 701 W. MARKHAM
 LITTLE ROCK, ARKANSAS 72201

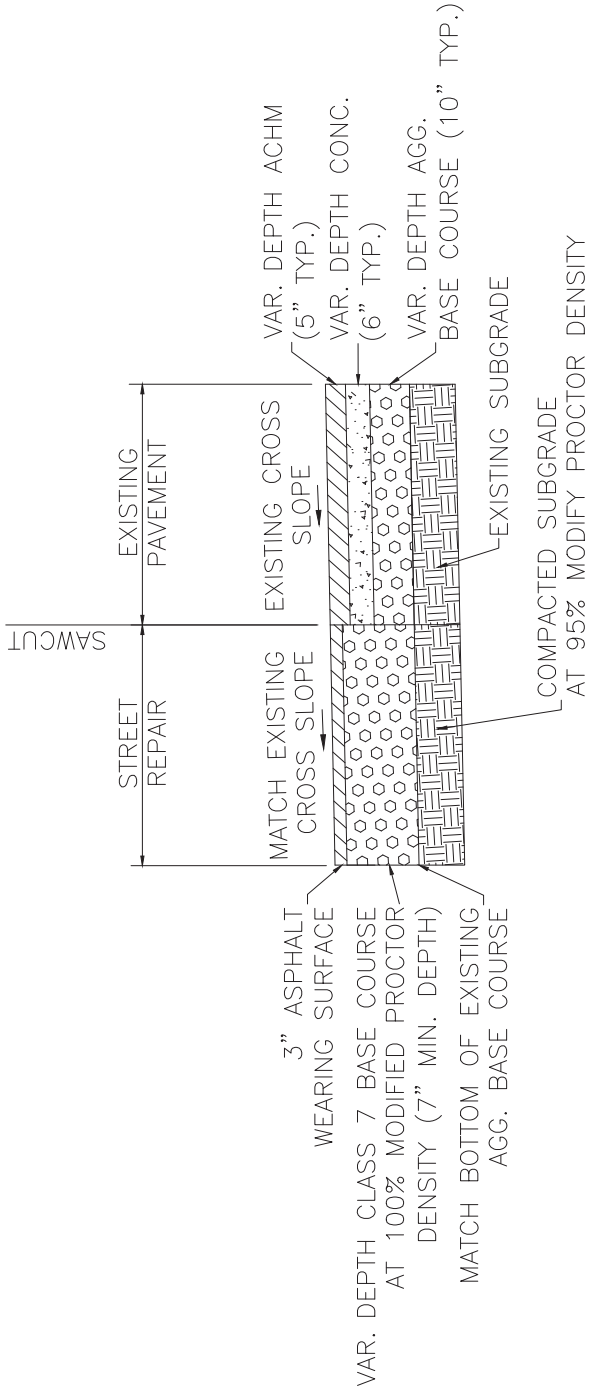


DRAWN BY	MJM
DESIGNED	MJM
CHECKED	MJM
RCC	
DATE	2-3-2020
SCALE	N.T.S.
PROJECT NO.	03-15-DR-95
SHEET NO.	C3



TYPICAL SECTION

STA. 10+67.50 TO STA. 11+09.34

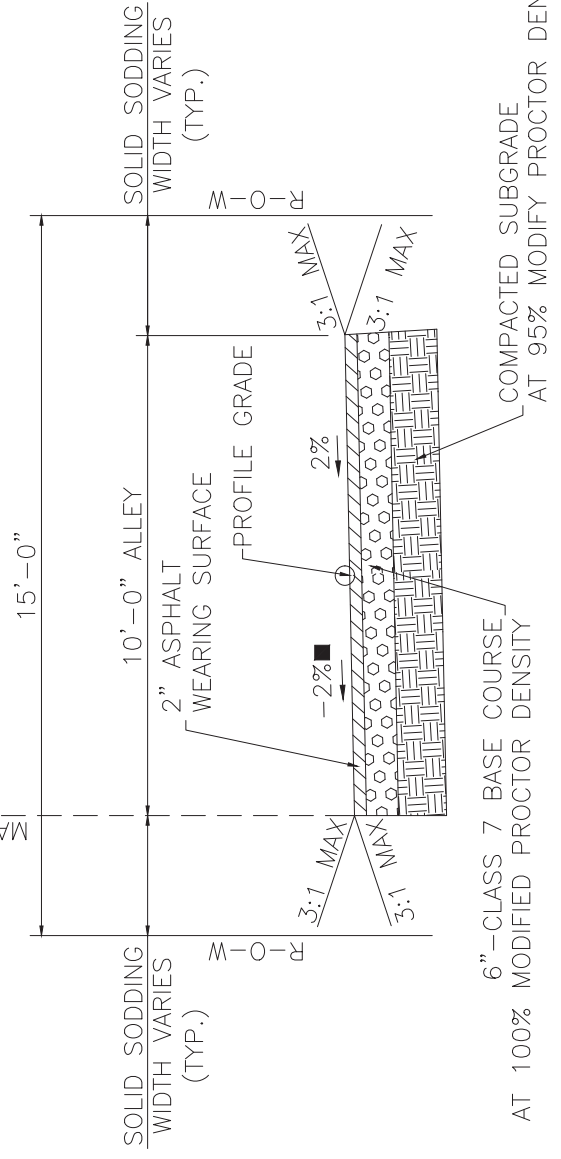


CUT & REPAIR EXISTING STREET

W. 3RD ST.
 S. VALENTINE ST.

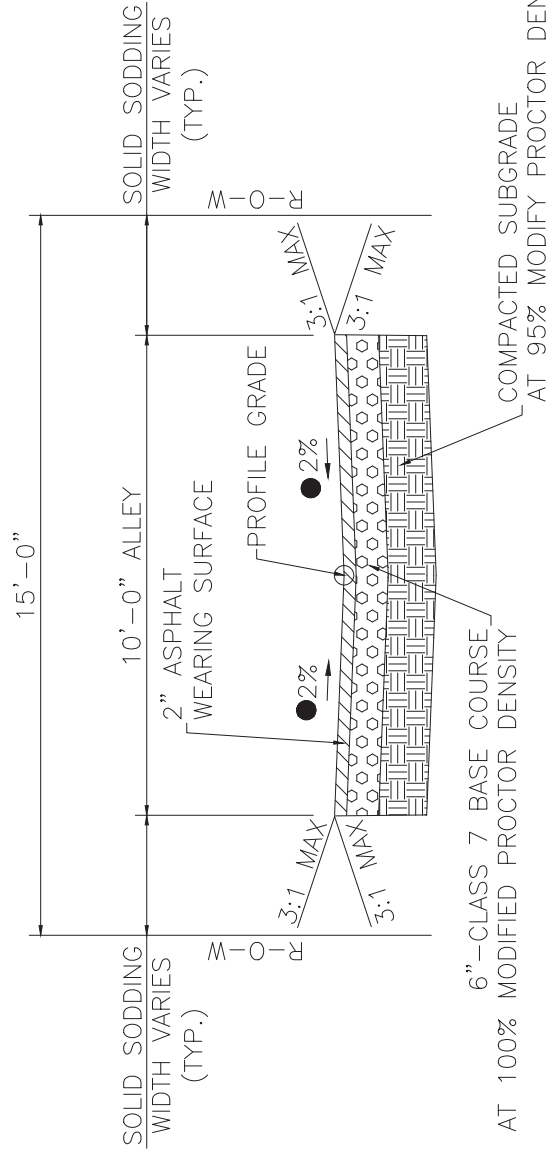
NOTES:

- 1) SEE CLR STD. DETAIL PW-22 FOR ADDITIONAL GENERAL NOTES.
- 2) PAYMENT FOR CUT & REPAIR OF EXISTING STREET ON W. 3RD ST. AND S. VALENTINE ST. SHALL BE MADE AT THE CONTRACT UNIT PRICE BID PER SQUARE YARD FOR "CUT AND REPAIR EXISTING STREET," WHICH PRICE SHALL BE FULL COMPENSATION FOR THE COMPLETE RESTORATION OF THE STREET IN ACCORDANCE WITH THIS DETAIL.



ALLEY TYPICAL SECTION

STA. 10+78.00 TO STA. 11+24.00



ALLEY TYPICAL SECTION

STA. 11+24.00 TO STA. 13+87.27

- TRANSITION CROSS SLOPE AS ALLEY APPROACHES W. 3RD ST. SEE DRIVEWAY DETAILS FOR ADDITIONAL INFORMATION

- TRANSITION CROSS SLOPE FROM -2% TO +2% BETWEEN STA. 10+94.00 AND STA. 11+24.00. SEE DRIVEWAY DETAILS FOR ADDITIONAL INFORMATION.
- ▲ WIDTH AND SLOPE VARIES. SEE DRIVEWAY DETAILS FOR ADDITIONAL INFORMATION.

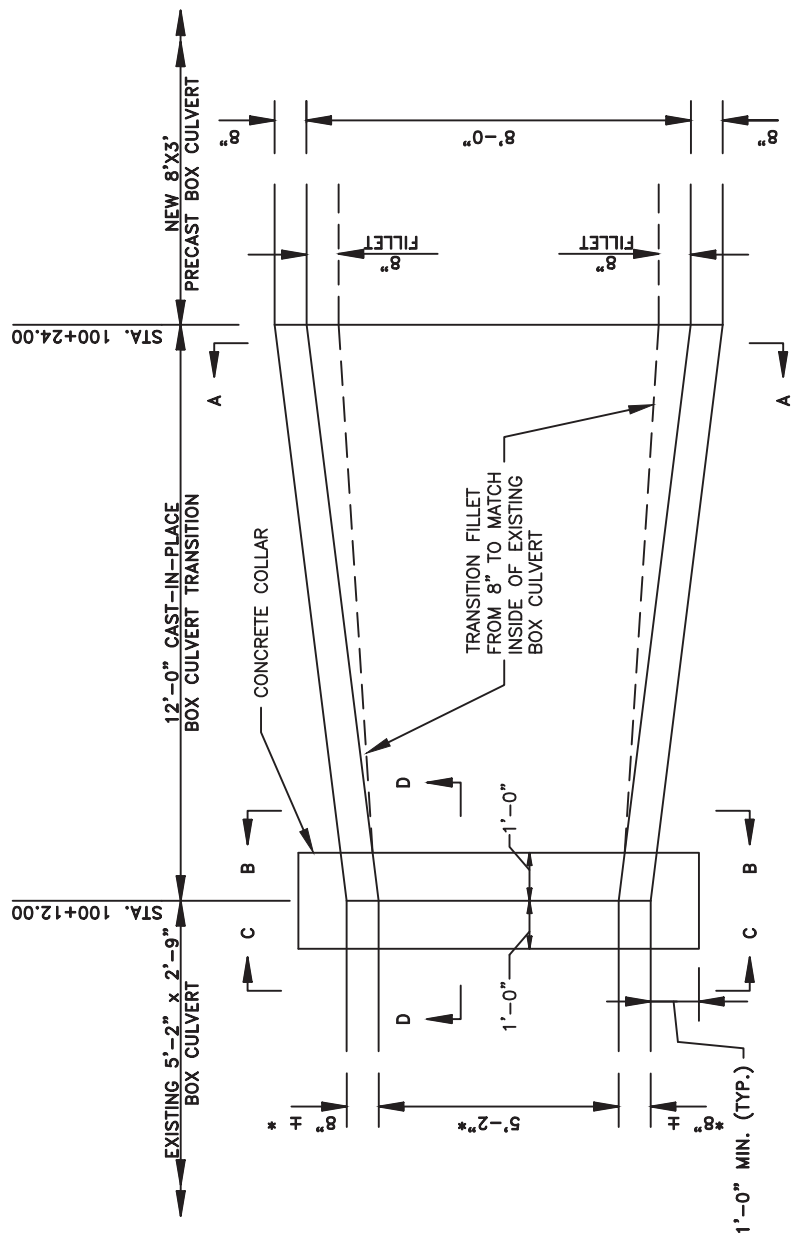
REVISIONS	DATE

CITY OF LITTLE ROCK, ARKANSAS
S. VALENTINE STREET DRAINAGE IMPROVEMENTS
SPECIAL DETAILS

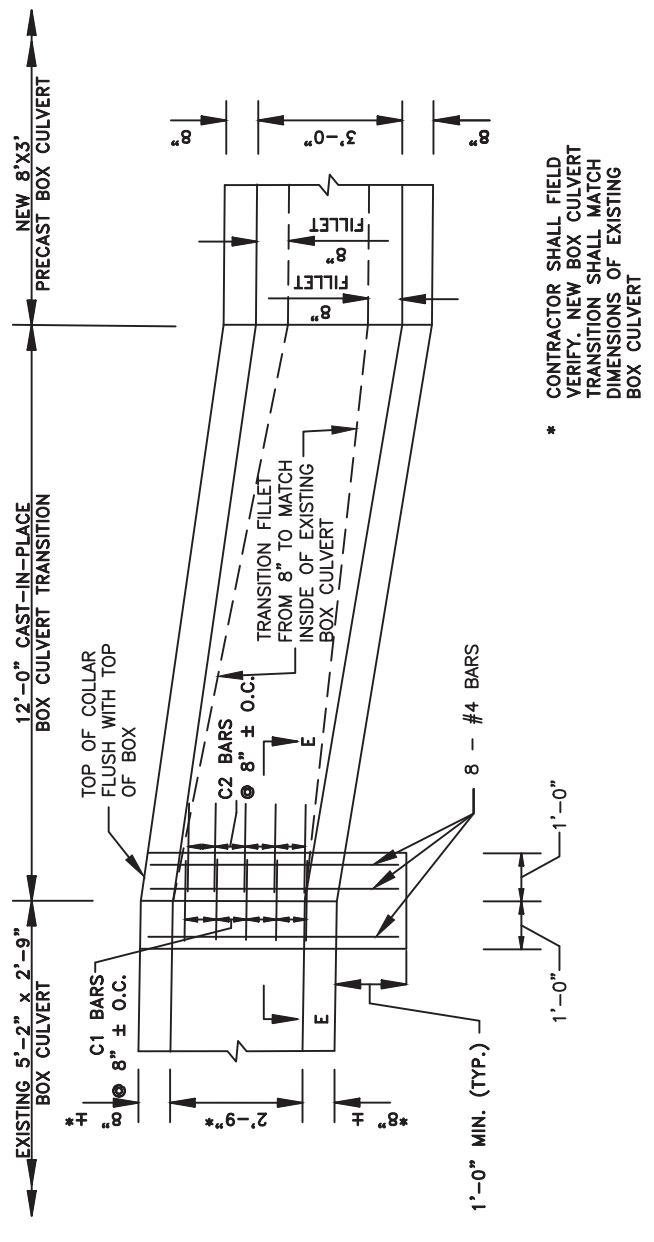
DEPARTMENT OF PUBLIC WORKS
CIVIL ENGINEERING
701 W. MARKHAM
LITTLE ROCK, ARKANSAS 72201



DRAWN BY AMW	DESIGNED WMM	CHECKED RCC	DATE 2-3-2020
SCALE N.T.S.			PROJECT NO. 03-15-DR-95
SHEET NO. C4			

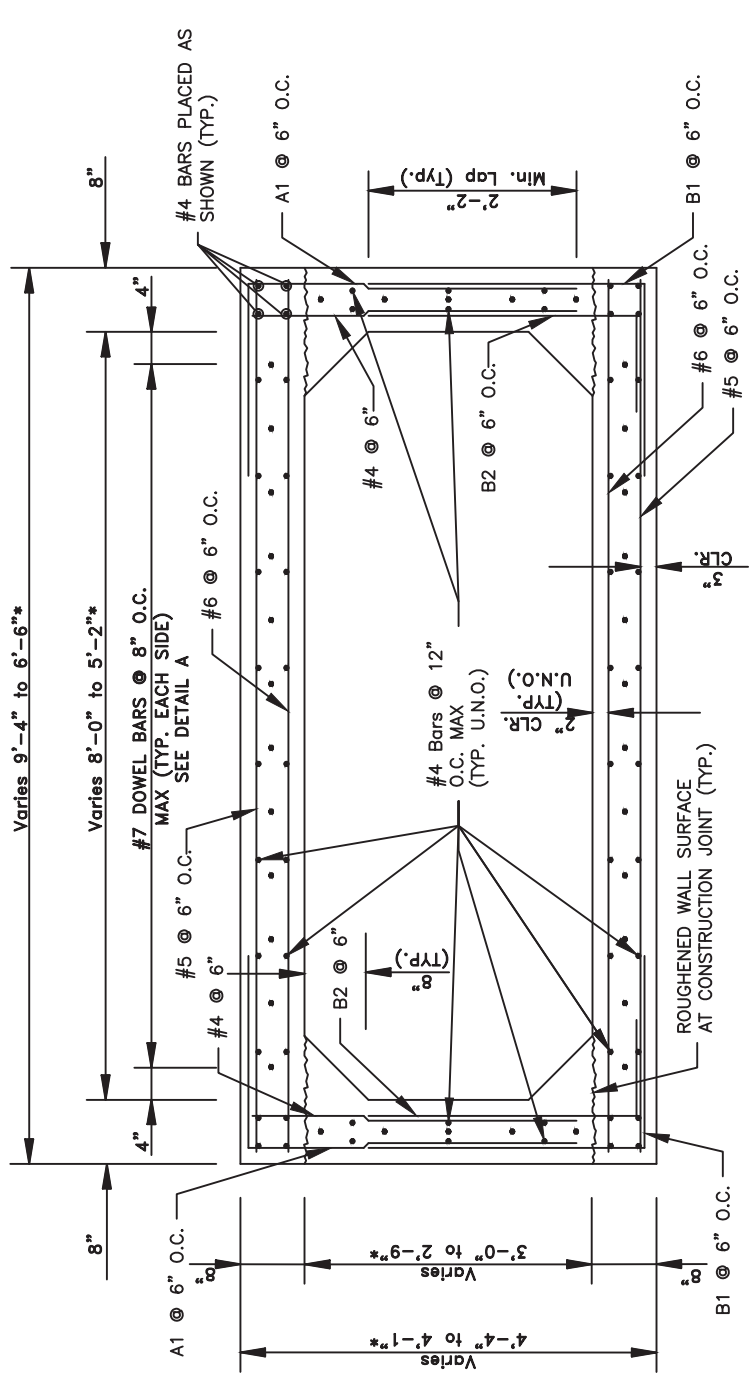


PLAN



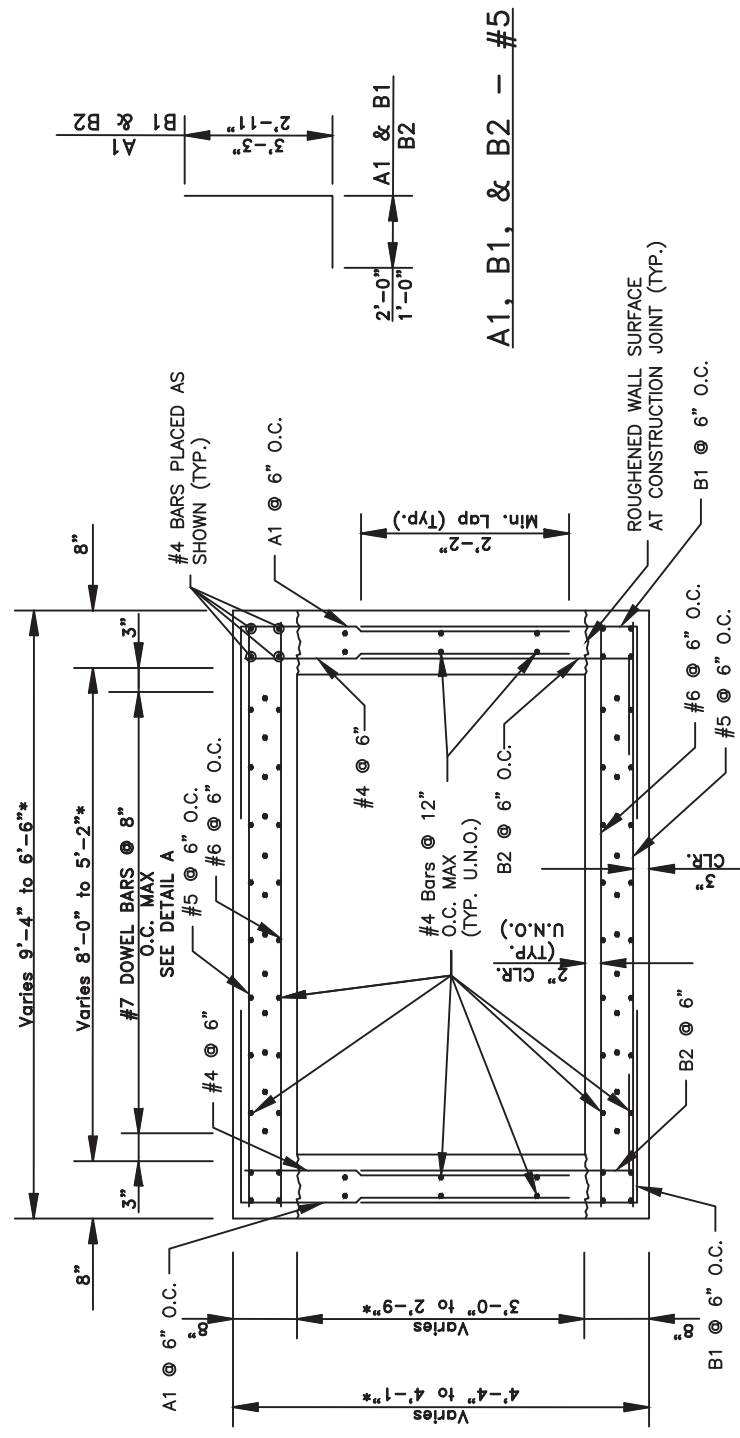
ELEVATION

SHOWING DIMENSIONS AND COLLAR REINFORCEMENT



SECTION A-A

LEGEND
 U.N.O - UNLESS NOTED OTHERWISE



SECTION B-B

A1, B1, & B2 - #5

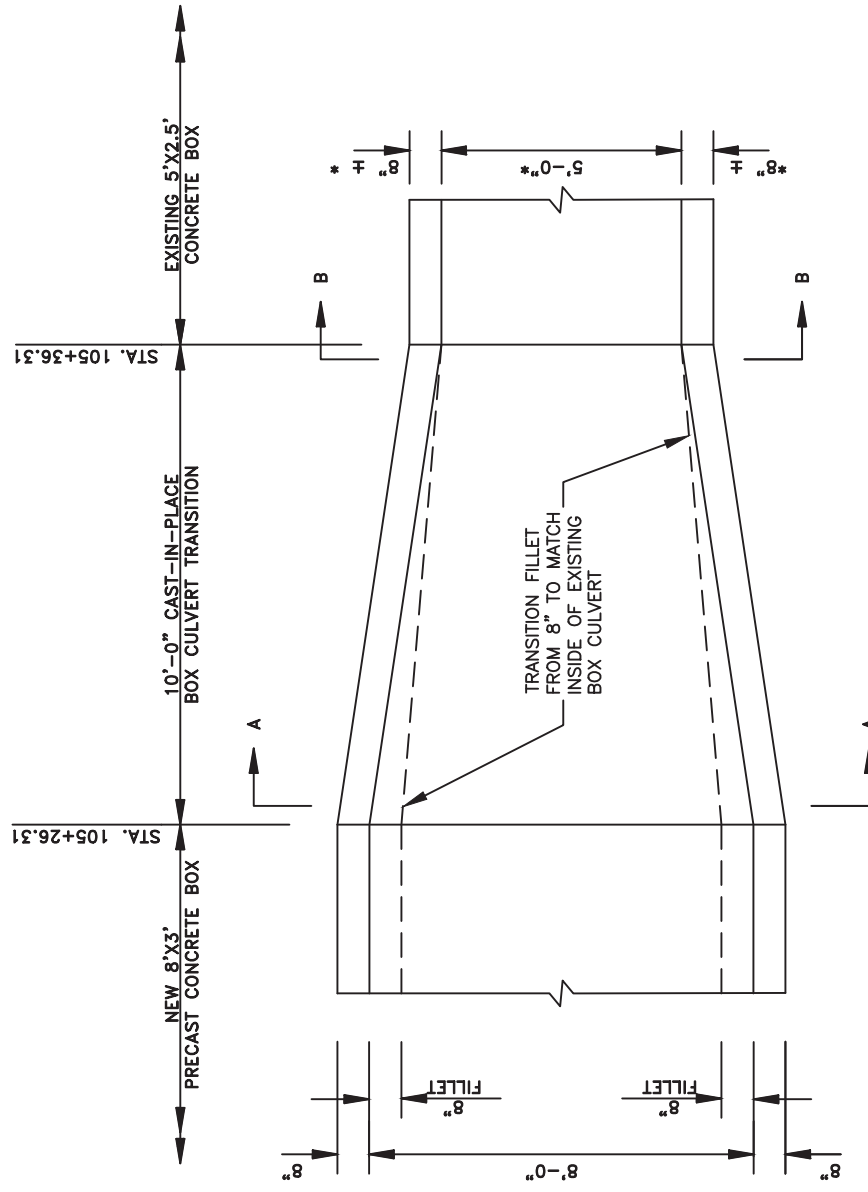
REVISIONS	DATE

CITY OF LITTLE ROCK, ARKANSAS
S. VALENTINE STREET DRAINAGE IMPROVEMENTS
SPECIAL DETAILS

DEPARTMENT OF PUBLIC WORKS
CIVIL ENGINEERING
701 W. MARKHAM
LITTLE ROCK, ARKANSAS 72201

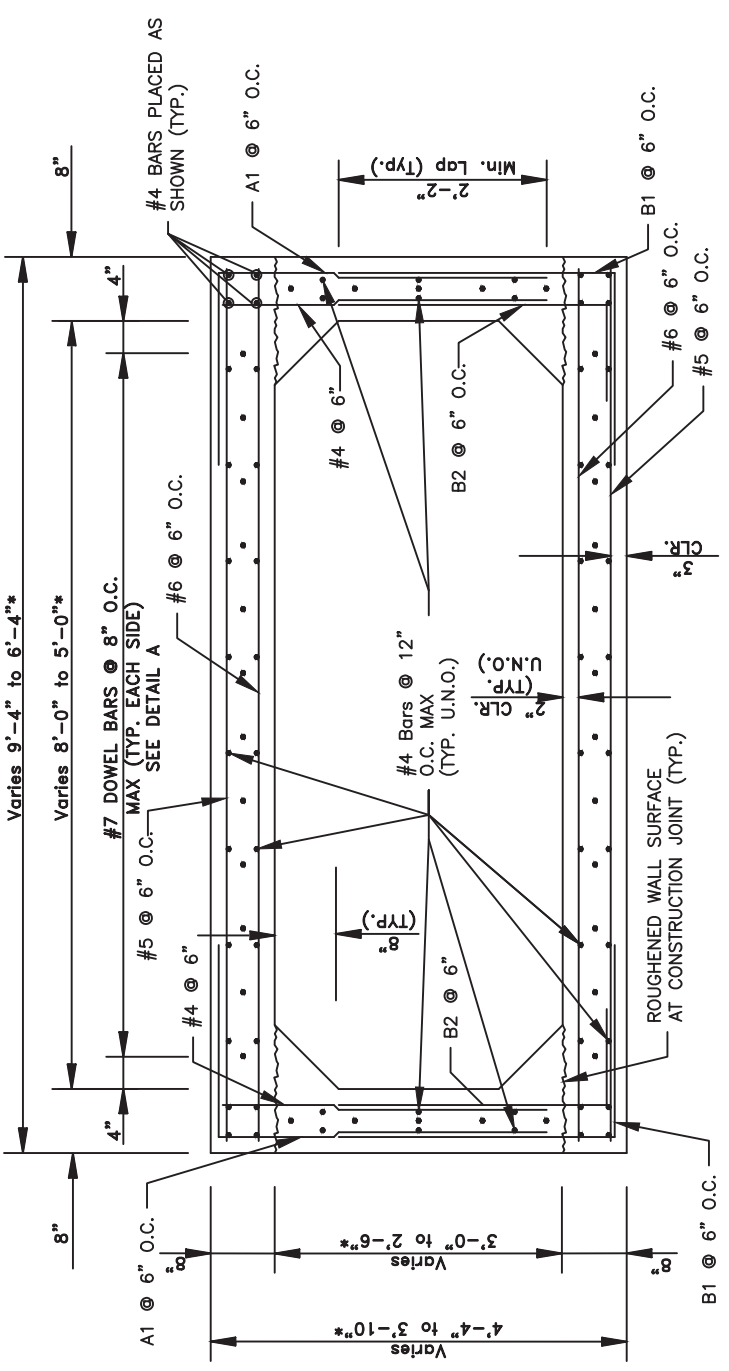


DRAWN BY	AMW
DESIGNED	MMM
CHECKED	RCC
DATE	2-3-2020
SCALE	N.T.S.
PROJECT NO.	03-15-DR-95
SHEET NO.	C6



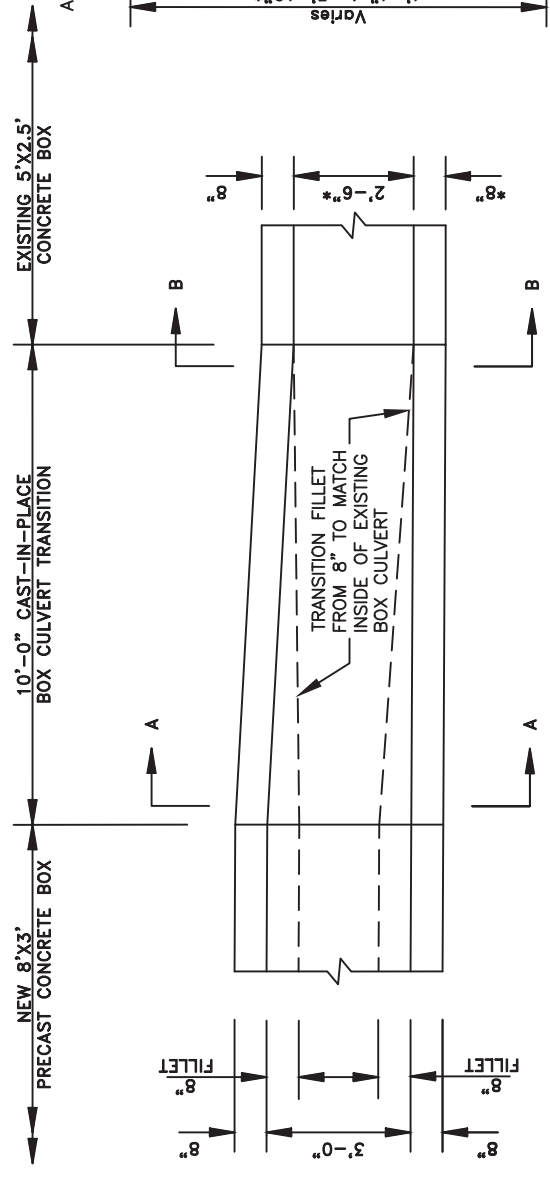
PLAN

* CONTRACTOR SHALL FIELD VERIFY. NEW BOX CULVERT TRANSITION SHALL MATCH DIMENSIONS OF EXISTING BOX CULVERT

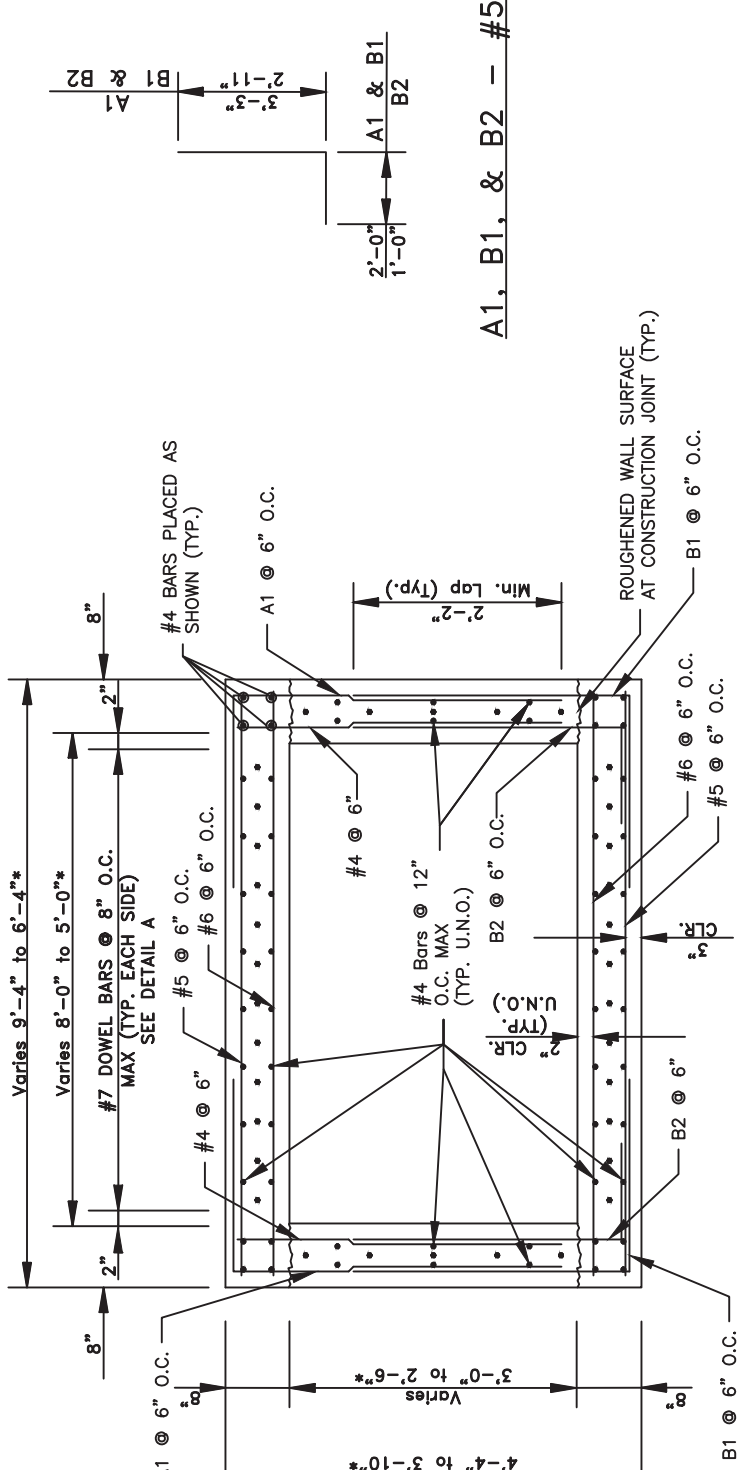


SECTION A-A

LEGEND
 U.N.O. - UNLESS NOTED OTHERWISE



ELEVATION



SECTION B-B

A1, B1, & B2 - #5

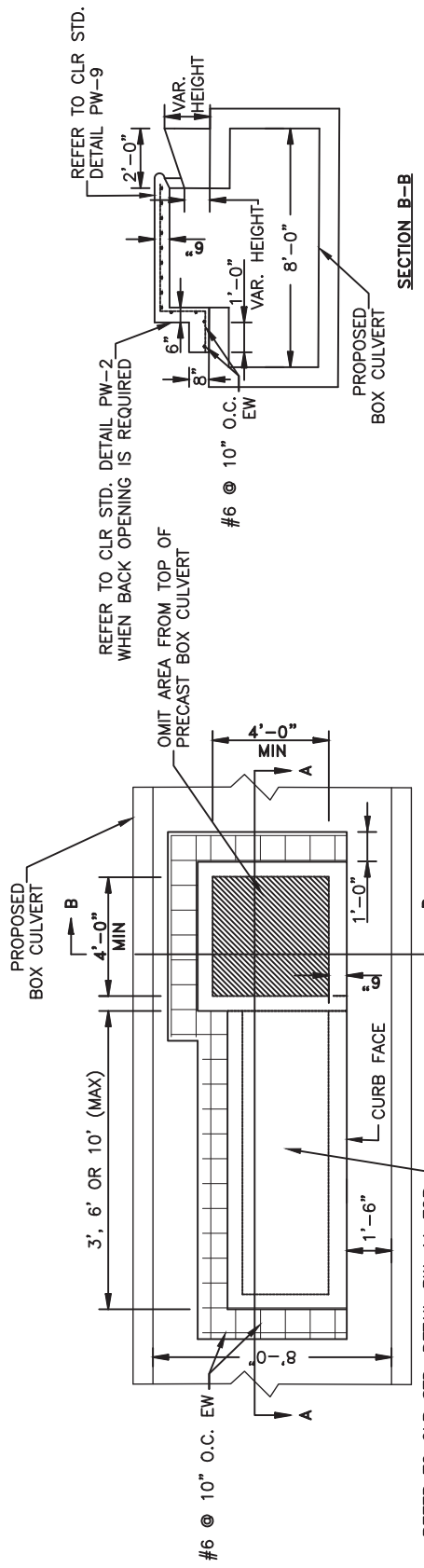
REVISIONS	DATE

CITY OF LITTLE ROCK, ARKANSAS
S. VALENTINE STREET DRAINAGE IMPROVEMENTS
SPECIAL DETAILS

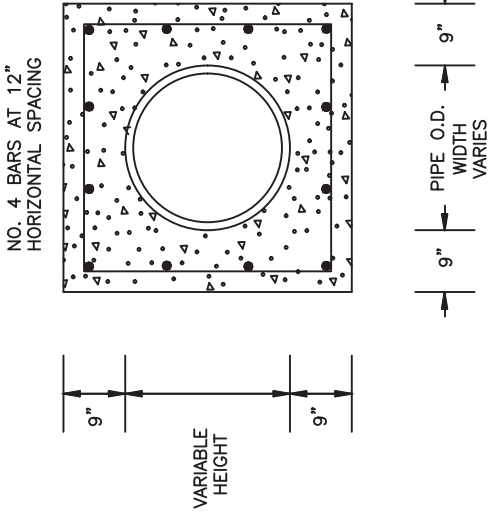
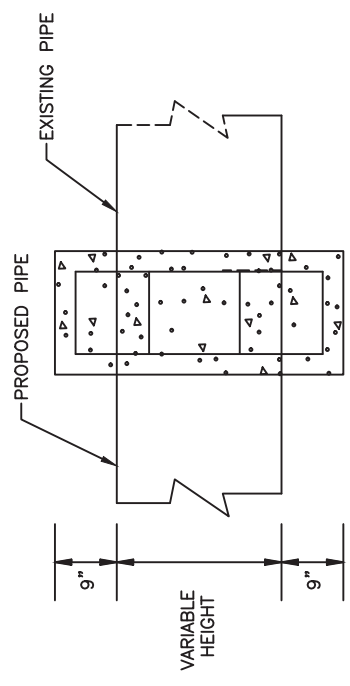
DEPARTMENT OF PUBLIC WORKS
CIVIL ENGINEERING
701 W. MARKHAM
LITTLE ROCK, ARKANSAS 72201



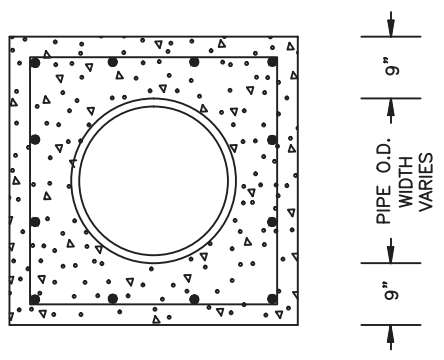
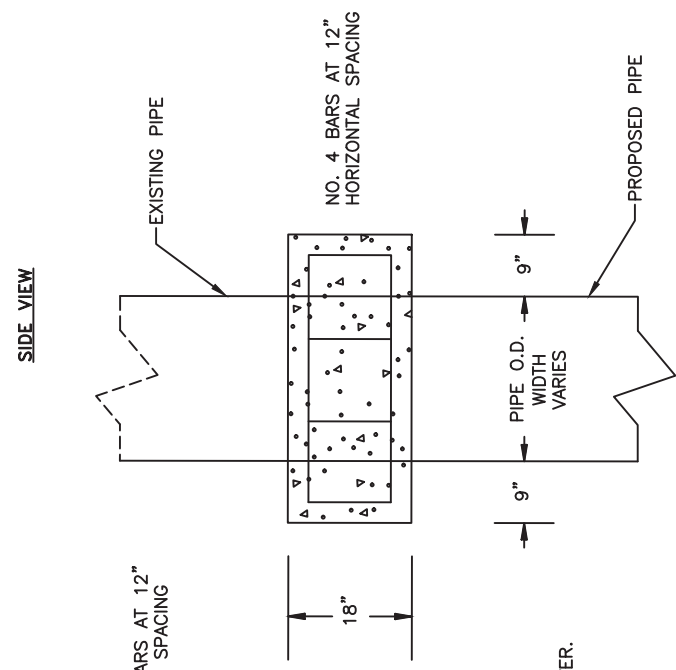
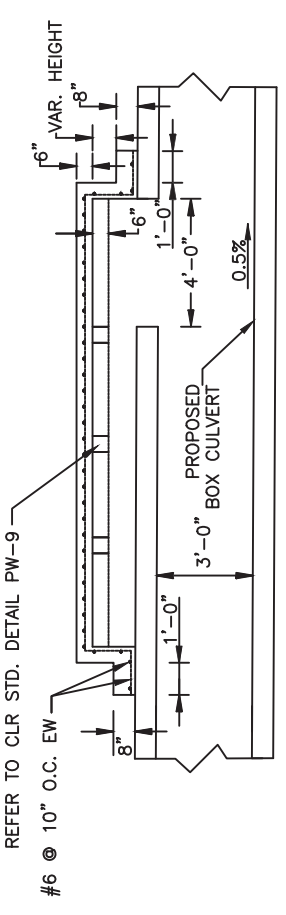
DRAWN BY	MJM
DESIGNED	MJM
CHECKED	MJM
RCC	
DATE	2-3-2020
SCALE	N.T.S.
PROJECT NO.	03-15-DR-95
SHEET NO.	C7



NOTE:
 ALL REINFORCING TO BE PLACED 1-1/2" CLEAR TO THE INSIDE OF STRUCTURE



CURB INLET ON TOP OF BOX CULVERT DETAIL
 CI-1, CI-2, CI-3



NOTE: REINFORCING STEEL SHALL HAVE MIN. 3" COVER.

AREA INLET OR JUNCTION BOX ON TOP OF BOX CULVERT DETAIL
 AI-1, JB-1

NOTE:
 ALL REINFORCING TO BE PLACED 1-1/2" CLEAR TO THE INSIDE OF STRUCTURE

PIPE EXTENSION REINFORCED CONCRETE COLLAR DETAIL
 CC-1

TOP VIEW

FRONT VIEW

SIDE VIEW

SECTION B-B

SECTION A-A

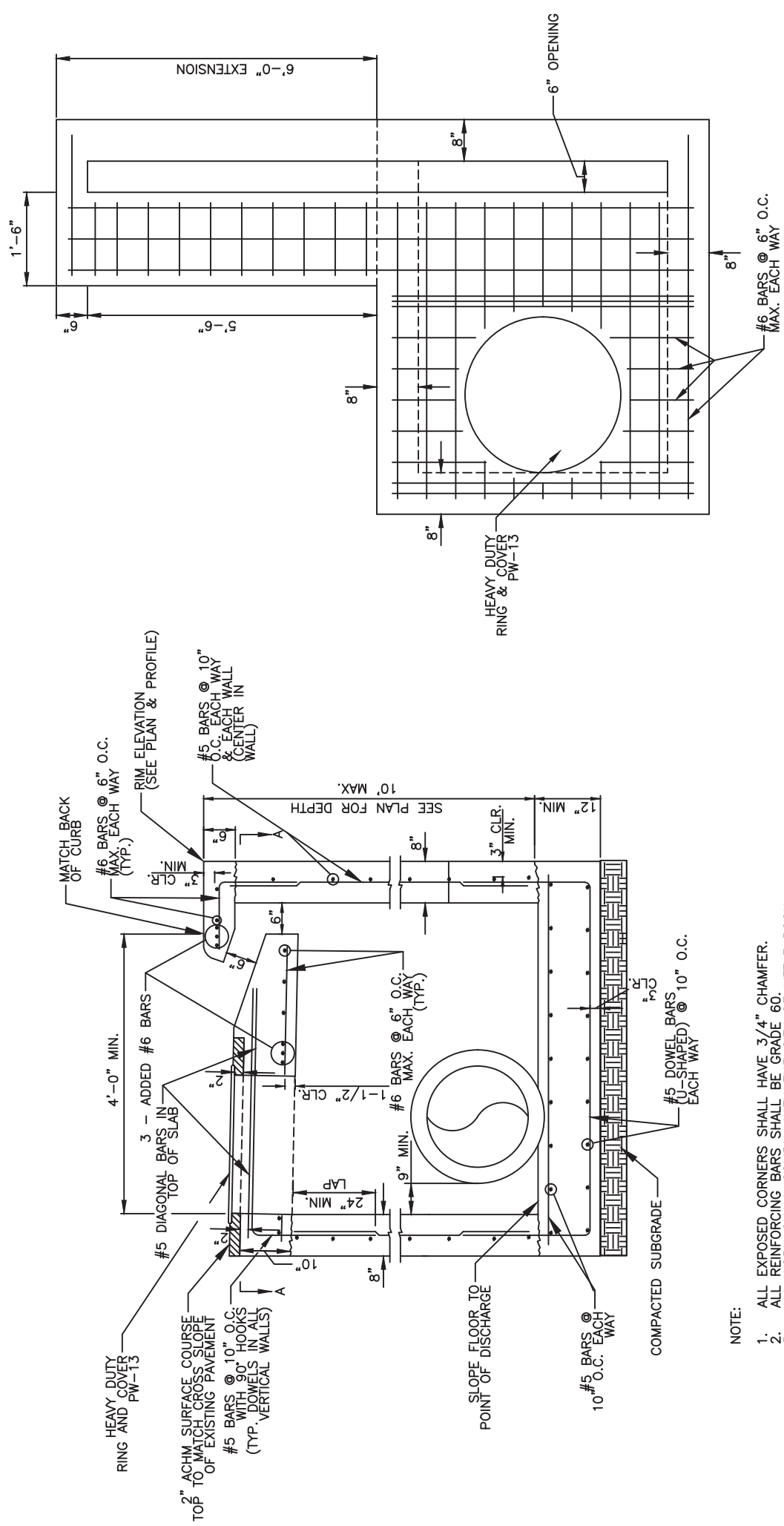
REVISIONS	DATE

CITY OF LITTLE ROCK, ARKANSAS
S. VALENTINE STREET DRAINAGE IMPROVEMENTS
SPECIAL DETAILS

DEPARTMENT OF PUBLIC WORKS
 CIVIL ENGINEERING
 701 W. MARKHAM
 LITTLE ROCK, ARKANSAS 72201

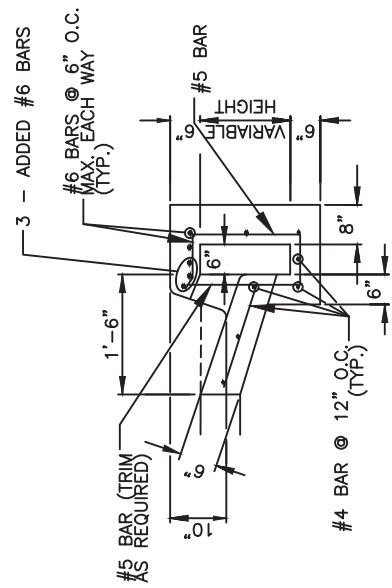


DRAWN BY	AMW
DESIGNED	MJM
CHECKED	RCC
DATE	2-3-2020
SCALE	N.T.S.
PROJECT NO.	03-15-DR-95
SHEET NO.	C8

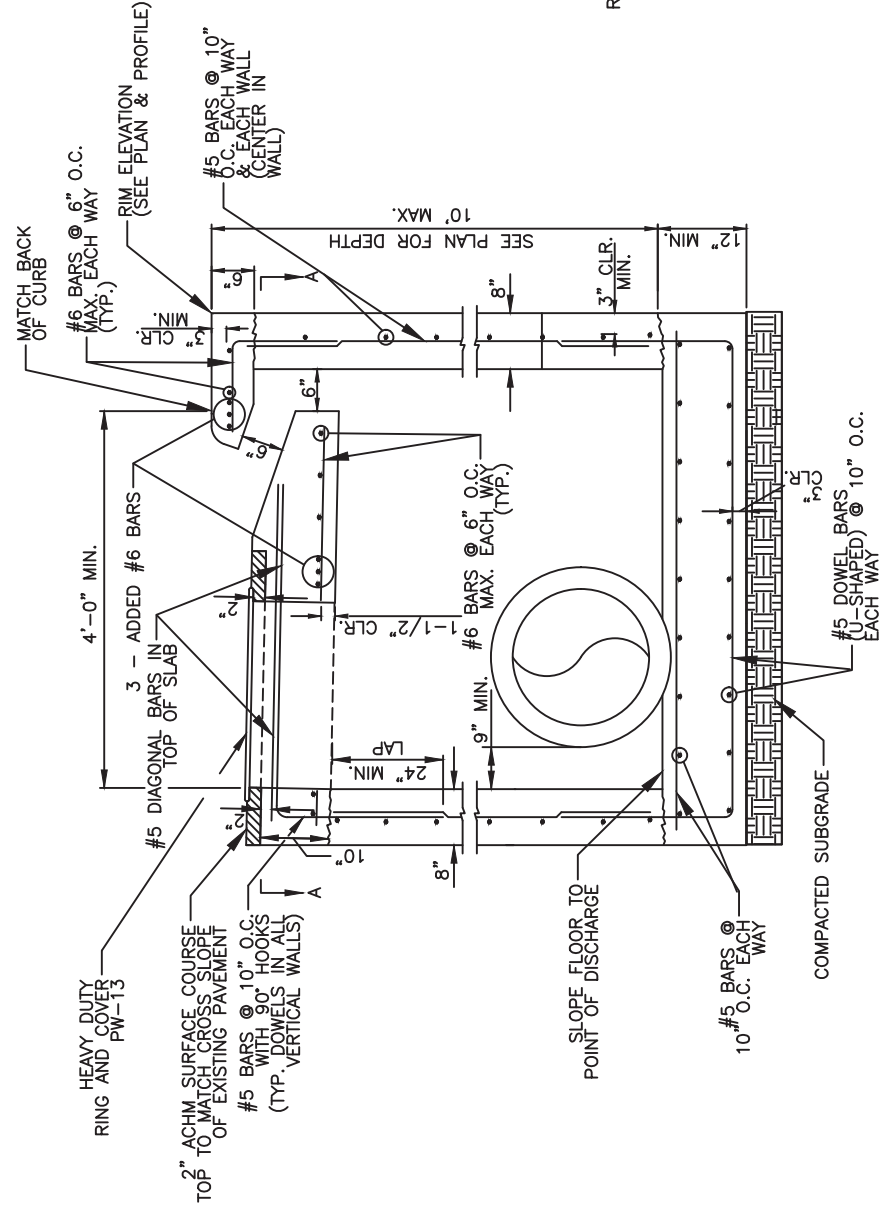


SECTION A-A

(SHOWING BOTTOM MAT OF TOP SLAB)



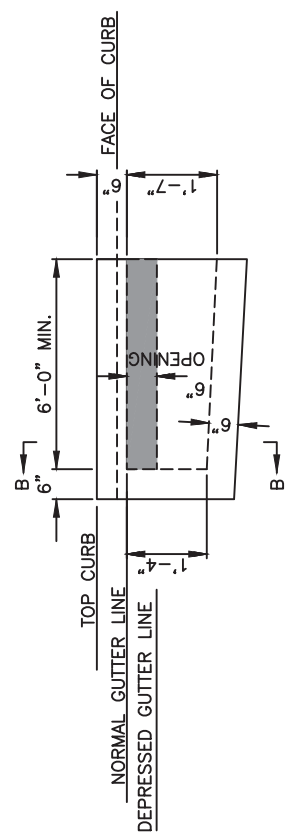
SECTION B-B



NOTE:

1. ALL EXPOSED CORNERS SHALL HAVE 3/4" CHAMFER.
2. ALL REINFORCING BARS SHALL BE GRADE 60.
3. ALL WORK SHALL COMPLY WITH THE CITY OF LITTLE ROCK CONTRACT CONDITIONS AND SPECIFICATIONS.

REVERSE THROAT CURB INLET
 CI-4



6'-0" EXTENSION

REVERSE THROAT EXTENSION DETAIL

N.T.S.

REVISIONS	DATE

CITY OF LITTLE ROCK, ARKANSAS
S. VALENTINE STREET DRAINAGE IMPROVEMENTS
 FIELD TIES / LAYOUT
 BOP TO EOP

DEPARTMENT OF PUBLIC WORKS
CIVIL ENGINEERING
 701 W. MARKHAM
 LITTLE ROCK, ARKANSAS 72201



DRAWN BY	MJM
DESIGNED	MJM
CHECKED	MJM
RCC	
DATE	2-3-2020
SCALE	H: 1"=30'
PROJECT NO.	03-15-DR-95
SHEET NO.	C9

C.L. ALLEY COORDINATES

STA.	TYPE	NORTHING	EASTING
10+00.00	BP	152175.2555	1218064.7167
12+42.08	PI	151933.2079	1218060.9697
14+00.00	EP	151775.4912	1218052.8910

C.L. BOX CULVERT COORDINATES

STA.	TYPE	NORTHING	EASTING
100+00.00	BP	152100.4869	1218031.7197
100+38.57	PI	152078.7410	1218063.5707
103+07.98	PI	151809.3976	1218057.3512
103+34.98	PI	151789.5476	1218075.6536
104+64.16	PI	151782.0604	1218204.6121
104+72.66	PI	151775.8113	1218210.3740
105+36.31	PI	151712.1758	1218208.9045
105+56.68	EP	151691.8124	1218208.4712

SURVEY BENCHMARKS

NO.	DESCRIPTION	NORTHING	EASTING	ELEV.
1	GPS, PK NAIL_GPS TRAV	151248.7634	1218716.2452	327.505
2	GPS, 5/8" REBAR_GPS TRAV	151257.2462	1218188.5595	332.165
3	GPS, 5/8" REBAR_GPS TRAV	151748.0133	1218244.0700	340.574
4	GPS, 5/8" REBAR_GPS TRAV	151798.4730	1218060.5584	343.294
900	TBM, CH. SQ. SW COR CONC	151710.5609	1218237.7010	339.148
901	TBM, CH. SQ. NE COR CONC PAD	152096.8201	1218098.0777	348.410

Basis of Bearings:
 All Coordinates are Ground.
 For Stakeout use CF = 1.000000000
 Job CAF = 1.000029763
 Job CAF was established at Control Point 2.
 Convergence Angle at Control Point 2 is 00°10'56.20651" Left.
 To convert back to GRID multiply by Job CAF = 1.000029763
 Point 2 Latitude = N 34°44'54.56684"
 Point 2 Longitude = W 092°18'47.69804"
 Original Grid Coordinates based on Arkansas Grid North Zone 0301
 As determined by GPS RTK readings on February 21, 2019 based upon the PAGIS Dial-Up System.
 Horizontal Datum: NAD 83
 Vertical Datum: NAVD 88
 Grid Coordinates were projected to Ground using Job CAF = 1.000029763.
 Elevations for project based upon GPS RTK readings to Control Point 3.
 Job Location is South Valentine Street in Little Rock, Pulaski County, Arkansas



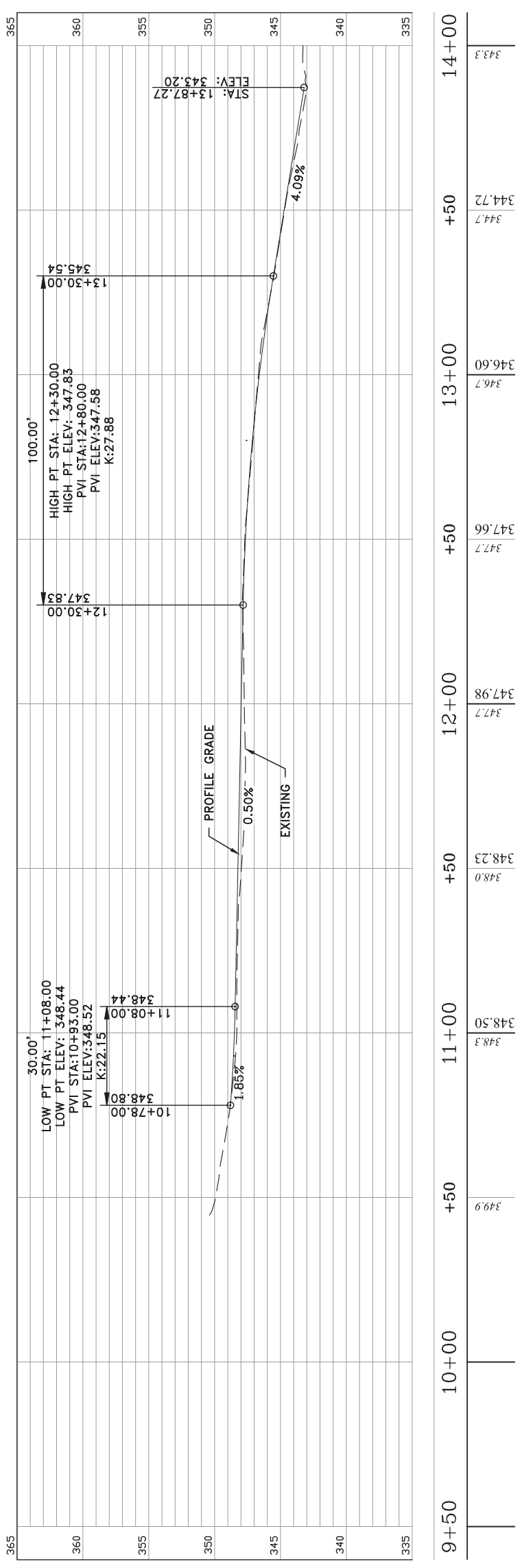
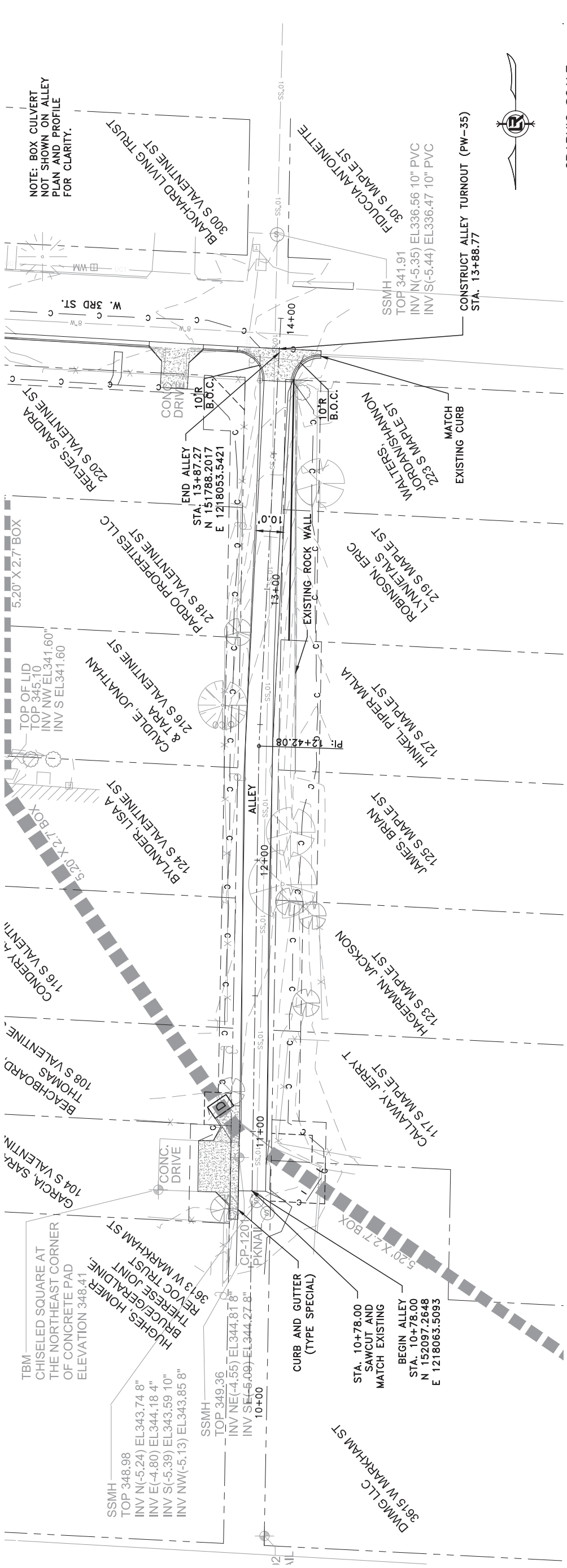
REVISIONS	DATE

CITY OF LITTLE ROCK, ARKANSAS
 S. VALENTINE STREET DRAINAGE IMPROVEMENTS
 PLAN & PROFILE - STA 10+00 TO 14+00
 ALLEY

DEPARTMENT OF PUBLIC WORKS
 CIVIL ENGINEERING
 701 W. MARKHAM
 LITTLE ROCK, ARKANSAS 72201



DRAWN BY	MJM
DESIGNED	MJM
CHECKED	MJM
RCC	
DATE	2-3-2020
SCALE	H: 1"=20' V: 1"=5'
PROJECT NO.	03-15-DR-95
SHEET NO.	C12



ALIGNMENT - ALLEY

REVISIONS	DATE

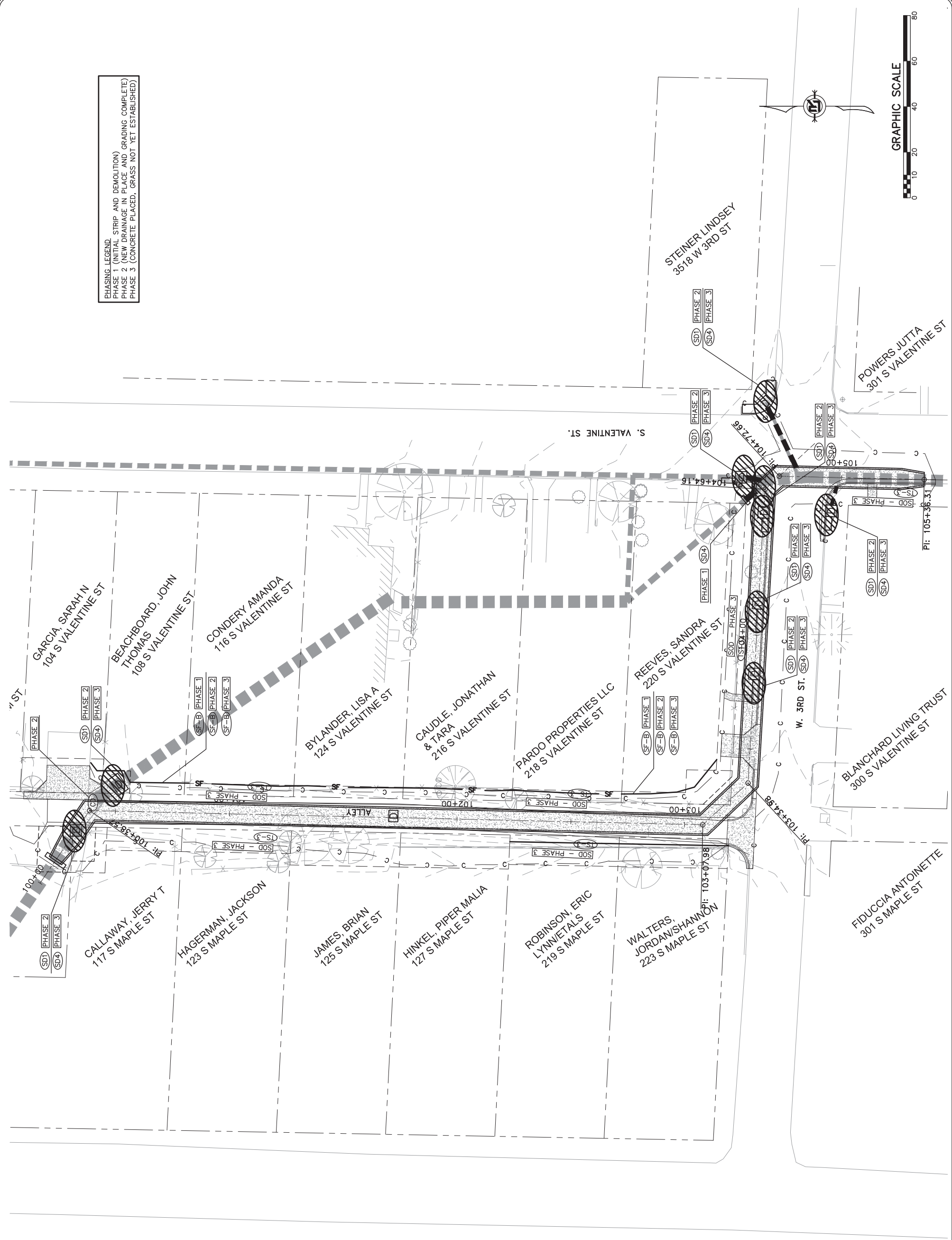
CITY OF LITTLE ROCK, ARKANSAS
S. VALENTINE STREET DRAINAGE IMPROVEMENTS
EROSION CONTROL

DEPARTMENT OF PUBLIC WORKS
 CIVIL ENGINEERING
 701 W. MARKHAM
 LITTLE ROCK, ARKANSAS 72201



DRAWN BY	MJM
DESIGNED	MJM
CHECKED	MJM
RCC	RCC
DATE	2-3-2020
SCALE	1"=20'
PROJECT NO.	03-15-DR-95
SHEET NO.	C14

PHASING LEGEND:
 PHASE 1 (INITIAL STRIP AND DEMOLITION)
 PHASE 2 (NEW DRAINAGE IN PLACE AND GRADING COMPLETE)
 PHASE 3 (CONCRETE PLACED, GRASS NOT YET ESTABLISHED)



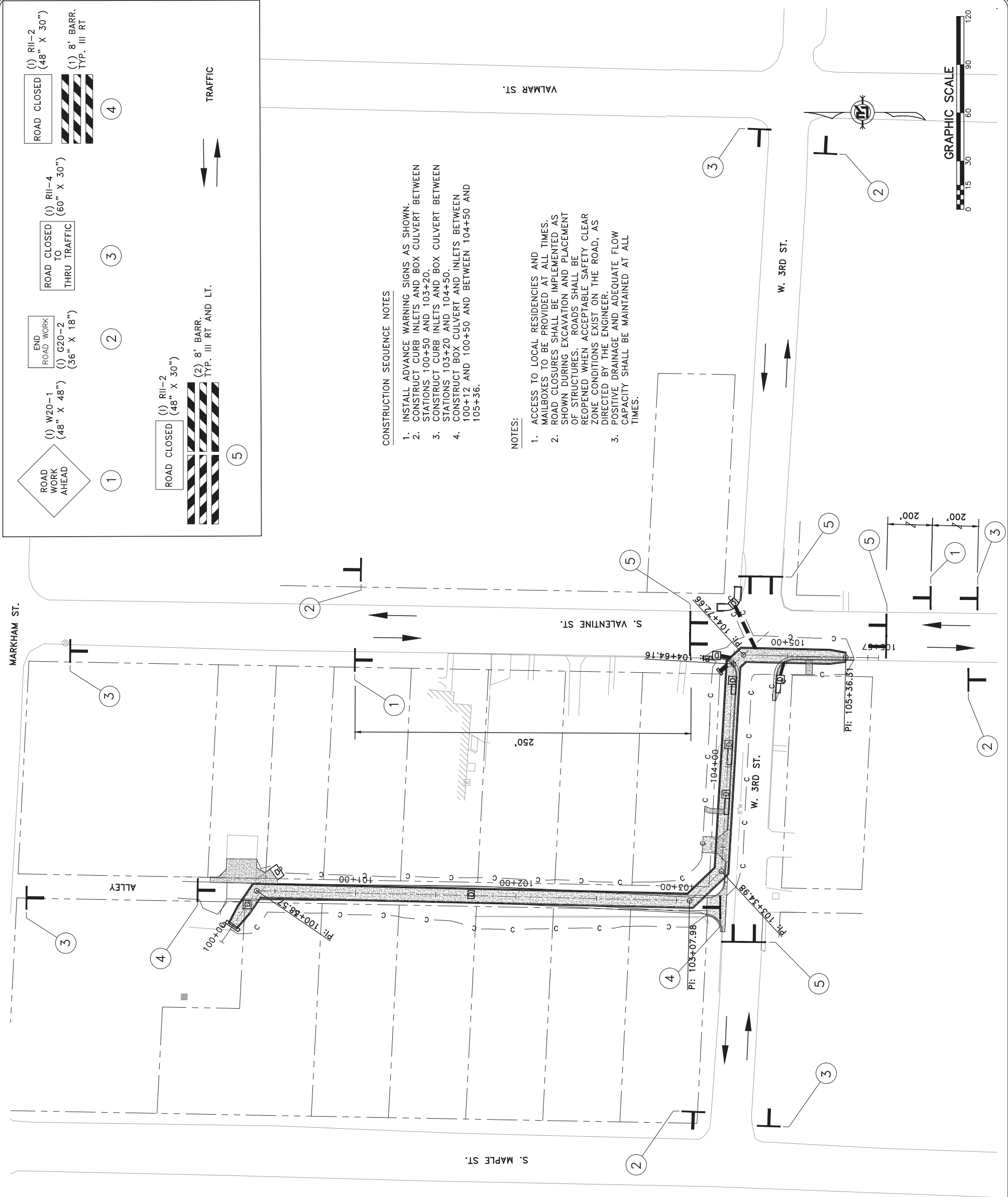
REVISIONS	DATE

CITY OF LITTLE ROCK, ARKANSAS
S. VALENTINE STREET DRAINAGE IMPROVEMENTS
 MAINTENANCE OF TRAFFIC

DEPARTMENT OF PUBLIC WORKS
 CIVIL ENGINEERING
 701 W. MARKHAM
 LITTLE ROCK, ARKANSAS 72201



DRAWN BY: M/JM
 DESIGNED: M/JM
 CHECKED: M/JM
 RCC:
 DATE: 2-3-2020
 SCALE: 1"=30'
 PROJECT NO.: 03-15-DR-95
 SHEET NO.: **C15**



Legend:

- 1. ROAD WORK AHEAD (48" X 48") (1) W20-1 (48" X 48")
- 2. END ROAD WORK (36" X 18") (1) G20-2 (36" X 18")
- 3. ROAD CLOSED TO THRU TRAFFIC (60" X 30") (1) R11-4 (60" X 30")
- 4. ROAD CLOSED (48" X 30") (1) R11-2 (48" X 30")
- 5. ROAD CLOSED (48" X 30") (1) R11-2 (48" X 30")

Barrier Legend:

- (1) 8' BARR. TYP. III RT
- (2) 8' BARR. TYP. III RT AND LT.

CONSTRUCTION SEQUENCE NOTES

1. INSTALL ADVANCE WARNING SIGNS AS SHOWN.
2. CONSTRUCT CURB INLETS AND BOX CULVERT BETWEEN STATIONS 100+50 AND 103+20.
3. CONSTRUCT CURB INLETS AND BOX CULVERT BETWEEN STATIONS 103+20 AND 104+50.
4. CONSTRUCT BOX CULVERT AND INLETS BETWEEN 100+12 AND 100+50 AND BETWEEN 104+50 AND 105+36.

NOTES:

1. ACCESS TO LOCAL RESIDENCIES AND MAILBOXES TO BE PROVIDED AT ALL TIMES.
2. ROAD CLOSURES SHALL BE IMPLEMENTED AS SHOWN DURING EXCAVATION AND PLACEMENT OF STRUCTURES. ROADS SHALL BE REOPENED WHEN ACCEPTABLE SAFETY CLEAR ZONE CONDITIONS EXIST ON THE ROAD, AS DIRECTED BY THE ENGINEER.
3. POSITIVE DRAINAGE AND ADEQUATE FLOW CAPACITY SHALL BE MAINTAINED AT ALL TIMES.



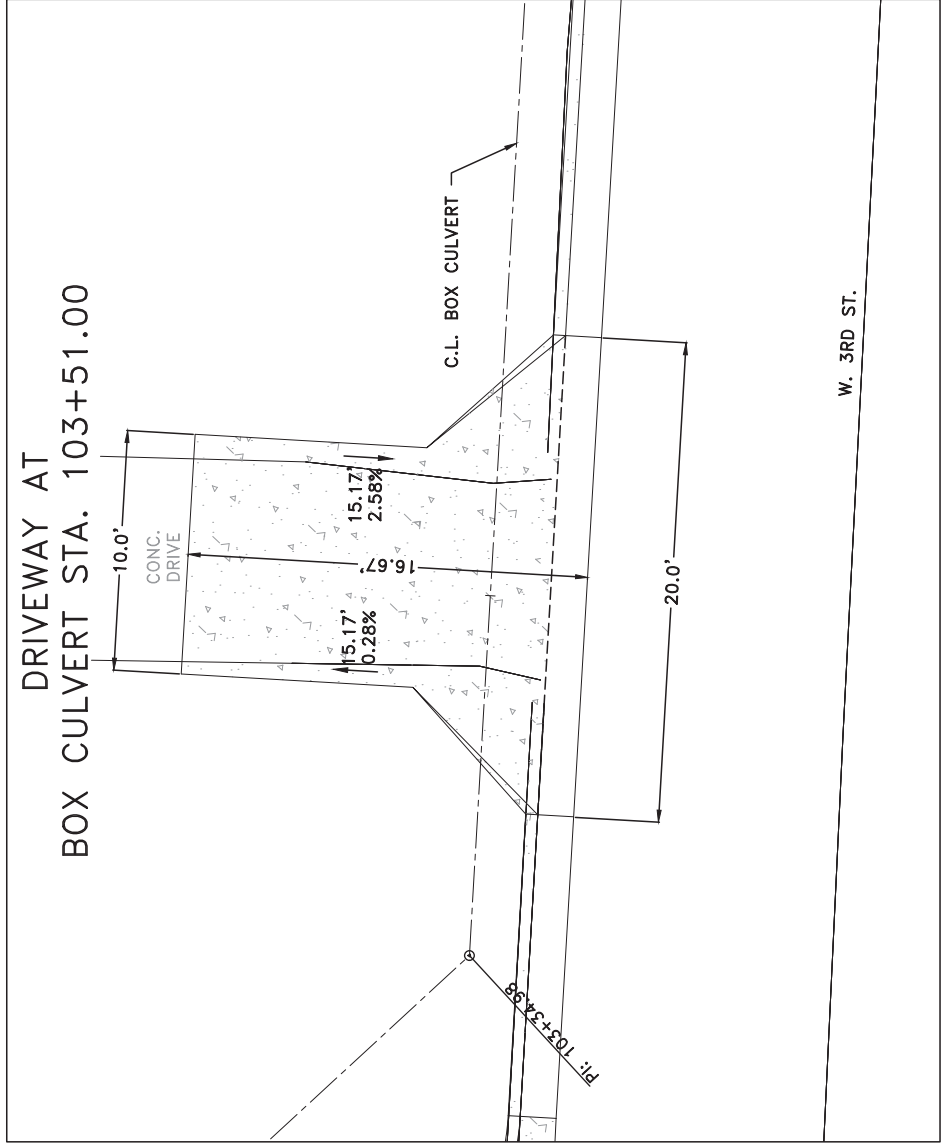
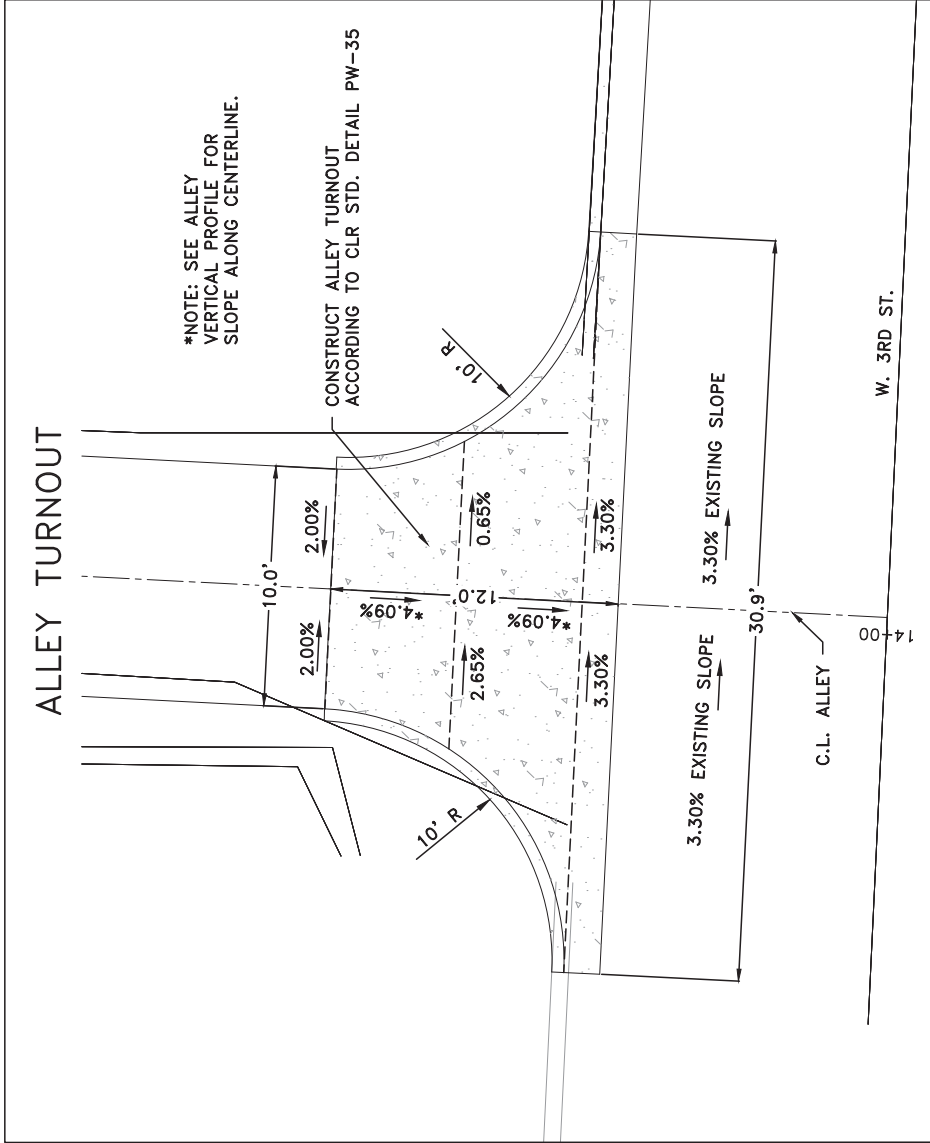
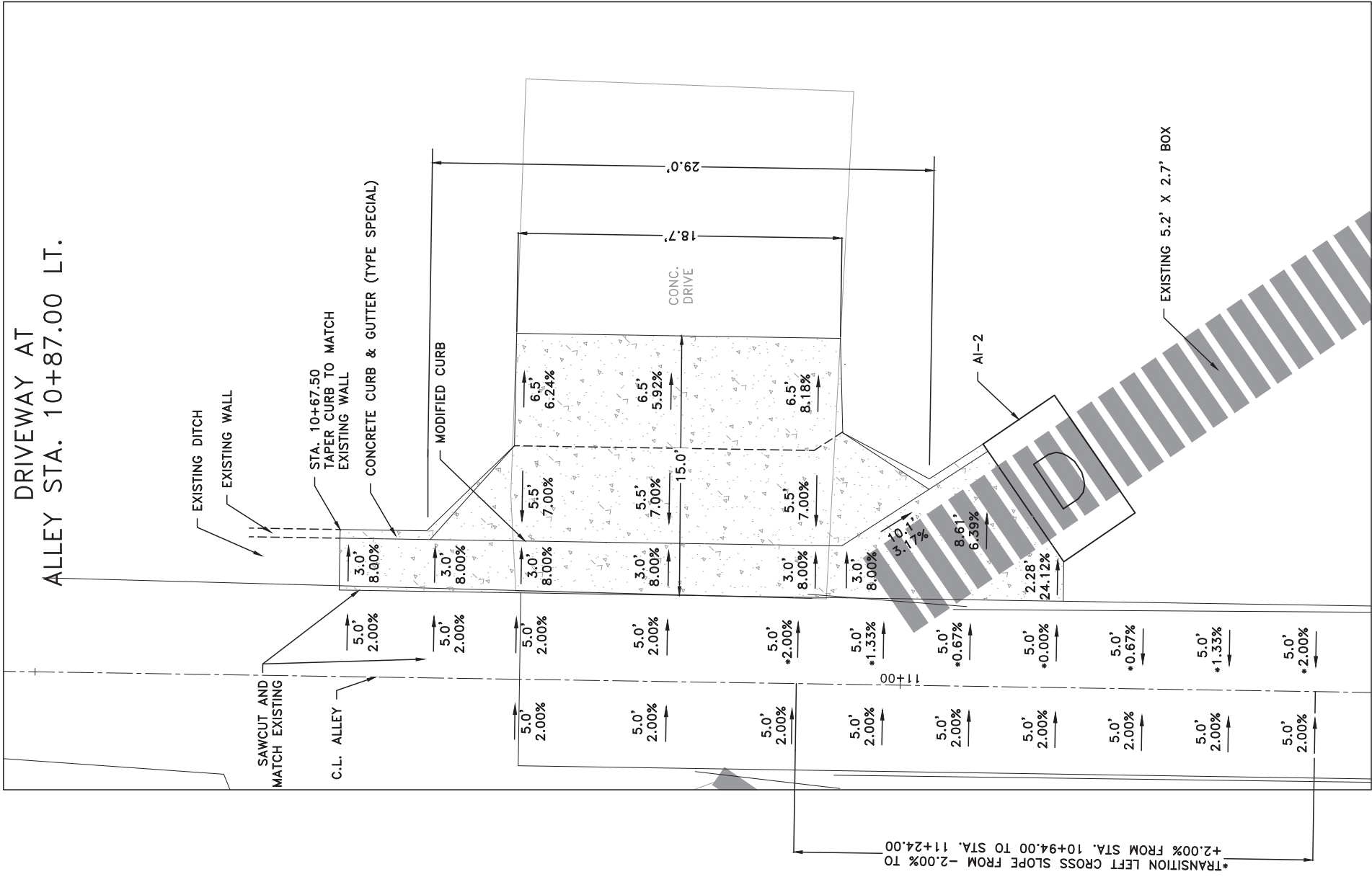
REVISIONS	DATE

CITY OF LITTLE ROCK, ARKANSAS
 S. VALENTINE STREET DRAINAGE IMPROVEMENTS
 DRIVEWAY DETAILS

DEPARTMENT OF PUBLIC WORKS
 CIVIL ENGINEERING
 701 W. MARKHAM
 LITTLE ROCK, ARKANSAS 72201




DRAWN BY	MJM
DESIGNED	MJM
CHECKED	RCC
DATE	2-3-2020
SCALE	N.T.S.
PROJECT NO.	03-15-DR-95
SHEET NO.	C13



REVISIONS	DATE

CITY OF LITTLE ROCK, ARKANSAS
S. VALENTINE STREET DRAINAGE IMPROVEMENTS
CROSS SECTIONS


 DEPARTMENT OF PUBLIC WORKS
 CIVIL ENGINEERING
 701 W. MARKHAM
 LITTLE ROCK, ARKANSAS 72201

DRAWN BY	RCC
DESIGNED	RCC
CHECKED	RCC
DATE	2-3-2020
SCALE	N.T.S.
PROJECT NO.	03-15-DR-95
SHEET NO.	C16

