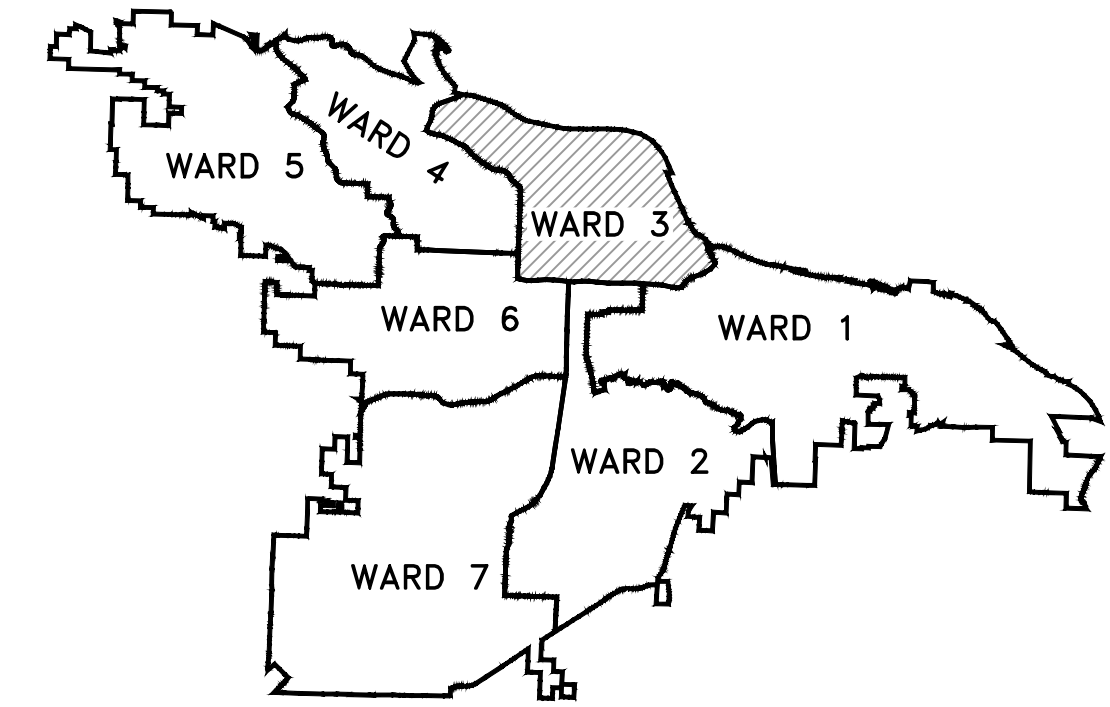
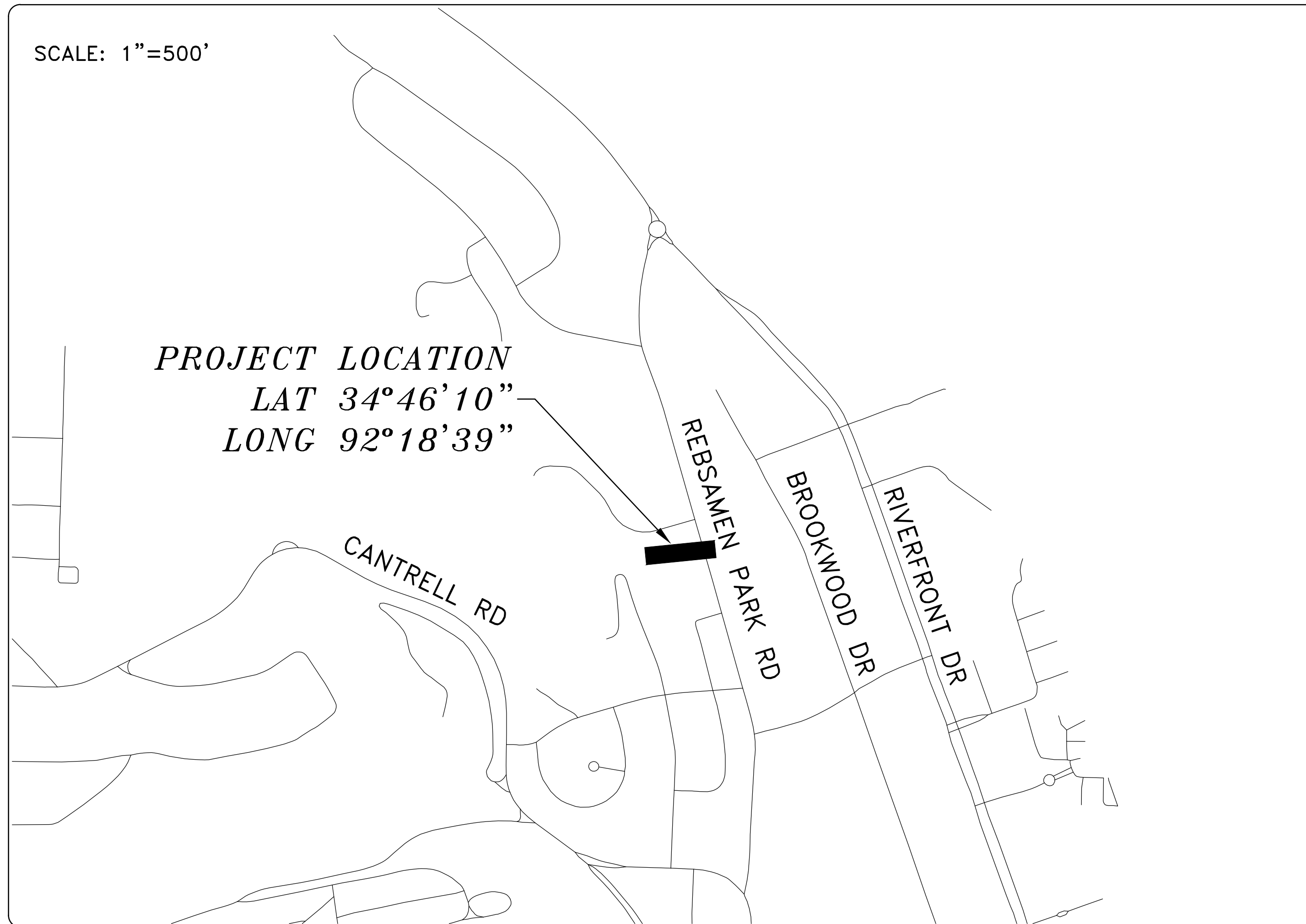
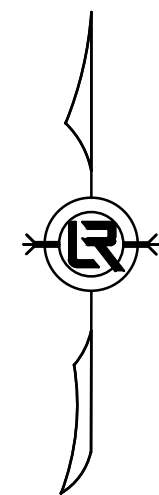


# REBSAMEN PARK ROAD DRAINAGE

## 60% SUBMITTAL

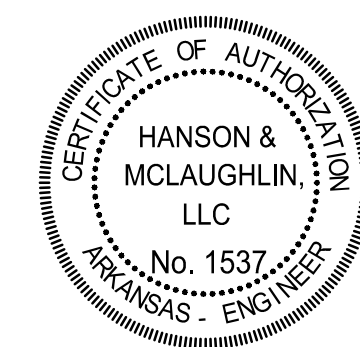


PROJECT LOCATION – WARD 3

SHEET NO.	TITLE
C1	COVER SHEET
C2	LEGEND AND QUANTITIES
C3	EXISTING CONDITIONS
C4	PLAN AND PROFILE
C5	EROSION CONTROL



Know what's below.  
 Call before you dig.



REVISIONS	DATE

CITY OF LITTLE ROCK, ARKANSAS  
 REBSAMEN PARK ROAD DRAINAGE  
 COVER SHEET

DEPARTMENT OF PUBLIC WORKS  
 CIVIL ENGINEERING  
 701 W. MARKHAM  
 LITTLE ROCK, ARKANSAS 72201



DEPARTMENT OF PUBLIC WORKS  
 CIVIL ENGINEERING  
 701 WEST MARKHAM STREET  
 LITTLE ROCK, ARKANSAS 72201

**HANSON & MCLAUGHLIN, LLC**  
 320 EXECUTIVE COURT, SUITE 202  
 LITTLE ROCK, ARKANSAS 72205  
 (501) 716-2850

DRAWN BY	KMH
DESIGNED	KMH
CHECKED	FJS
DATE	8-15-2022
SCALE	N.T.S.
PROJECT NO.	WARD 3
SHEET NO.	C1

REVISIONS	DATE

**REBSAMEN PARK ROAD DRAINAGE**  
AUGUST 15, 2022

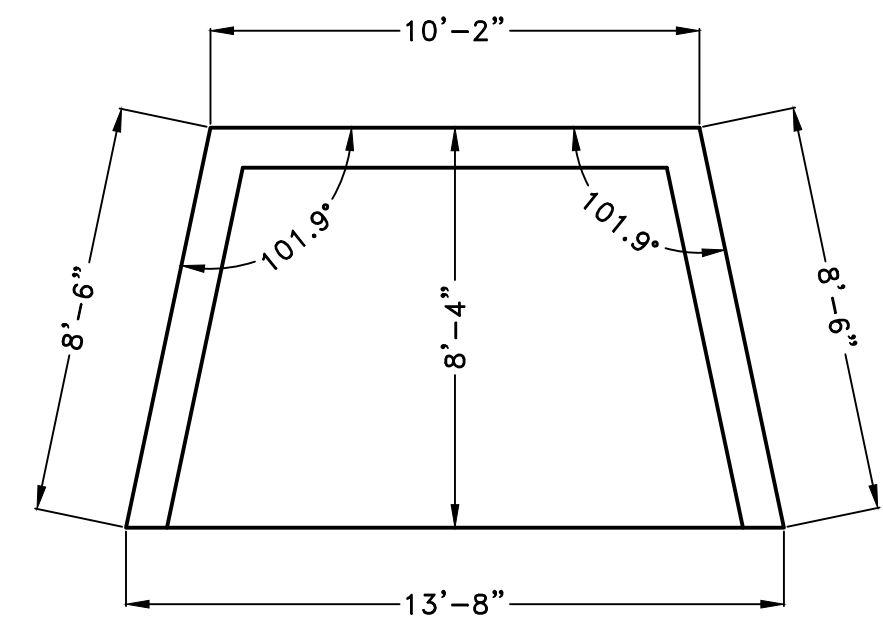
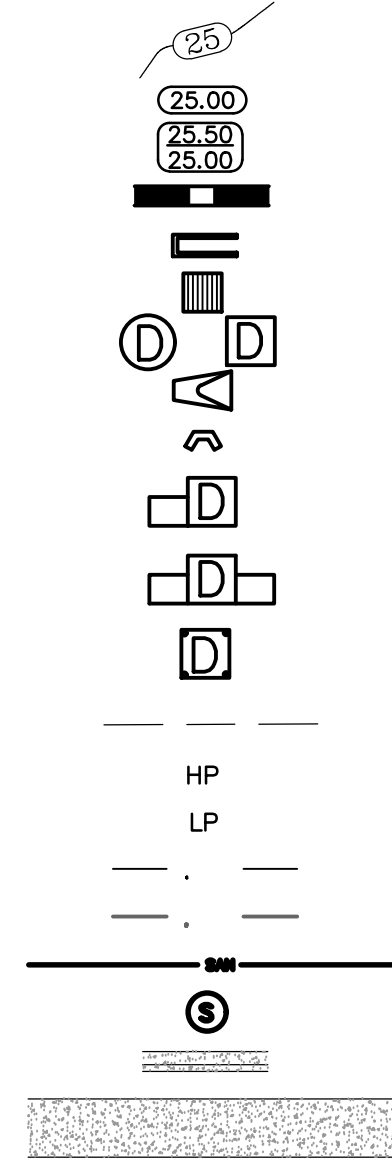
ITEM #	ITEM DESCRIPTION	UNIT	QUANTITY
2.01	Site Preparation (Incl. Mobilization)	LS	1
3.01	Unclassified Excavation	CY	8
3.06	Borrow Material	CY	38
10.04	Curb Inlet - 4' Box	EA	1
10.07	Wing 3' Extension	EA	1
11.01	Reinforced Concrete Precast Box Culvert (6'x3')	LF	81
11.06	Reinforced Concrete Headwall	CY	25
13.18C	Storm Drain Pipes, 18", Side Drain	LF	45
14.01	Solid Sodding (Bermuda) Includes 4" Topsoil	SY	180
16.01	Maintenance of Traffic	LS	1
17.01	Pavement Repairs	SY	75
18.40	Handrail	LF	27
18.55	Water for Dust Control	GAL	10,000
19.01	Final Clean-Up	LS	1
24.02	Check Dam (CD)	CY	20
24.06	Sediment Barrier, Silt Fence (SD1)	EA	4
24.09	Sediment Barrier, Block (SD4)	EA	4
24.11	Silt Fence - Type A (SFA)	LF	170
24.12	Silt Fence - Type B (SFB)	LF	170
24.18	Disturbed Area Stabilization - Permanent Grassing (TS3)	AC	0
26.10	Trench & Excavation Safety	LS	1

**EXISTING**

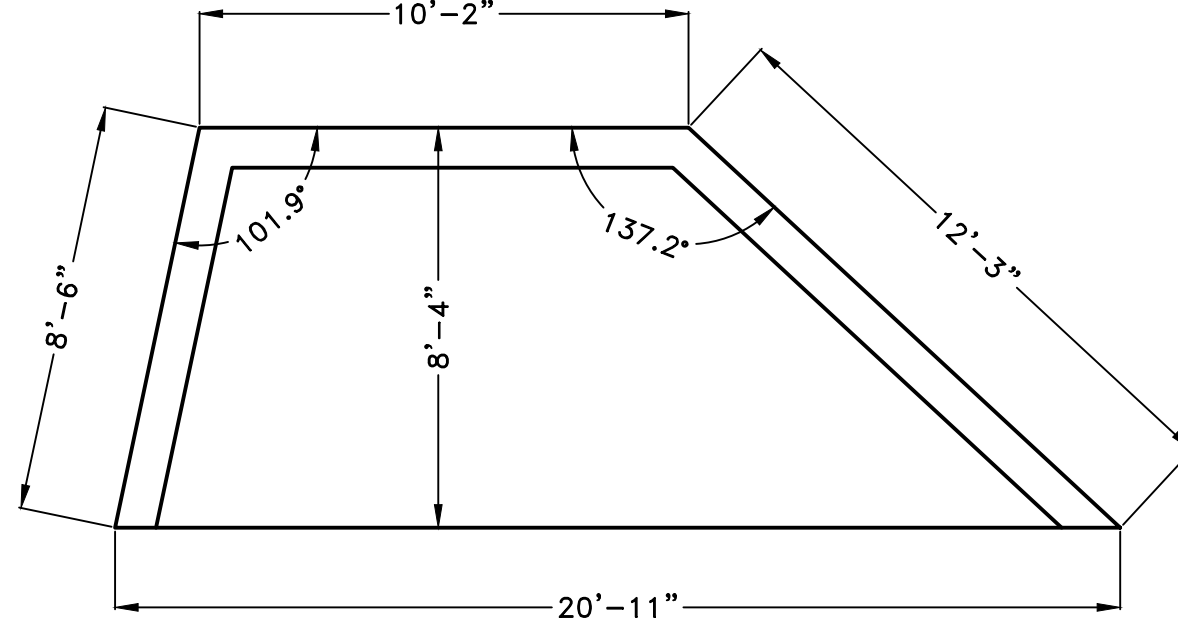
- IRON ROD ○ IR
- PK NAIL ○ PK
- R.R. SPIKE ○ RR(Sp)
- CONC. MONUMENT □ CM
- WATER VALVE ⊗ WV
- WATER METER □ WM
- FIRE HYDRANT ⊕ FH
- GAS METER ⊕ GM
- GAS VALVE ⊗ GV
- CLEAN-OUT ○ CO
- GUARD POST (BOLLARD) ● GP
- SIGN POST T
- BENCHMARK D
- STORM SEWER MANHOLE S
- SANITARY SEWER MANHOLE T
- TELEPHONE MANHOLE E
- ELECTRIC MANHOLE T
- TELEPHONE BOX E
- ELECTRIC BOX E
- CABLE BOX E
- UTILITY POLE T
- GUY WIRE G
- LIGHT POLE L
- POST OR POLE (TYPE AS NOTED) P
- MAILBOX M
- DECIDUOUS TREE T
- EVERGREEN/CONIFEROUS TREE T
- BUSH B
- PROPERTY LINE - - - - -
- SETBACK LINE - - - - -
- EASEMENT LINE - - - - -
- CURB - - - - -
- FENCE X - - - - X
- OVERHEAD UTILITY - - - - -
- UNDERGROUND TELEPHONE . . . . .
- UNDERGROUND ELECTRIC . . . . .
- WATER LINE . . . . .
- SEWER LINE . . . . .
- GAS LINE . . . . .
- STORM SEWER/CULVERT 24" CMP/RCP/DIP
- CONTOUR LINE 650

**PROPOSED**

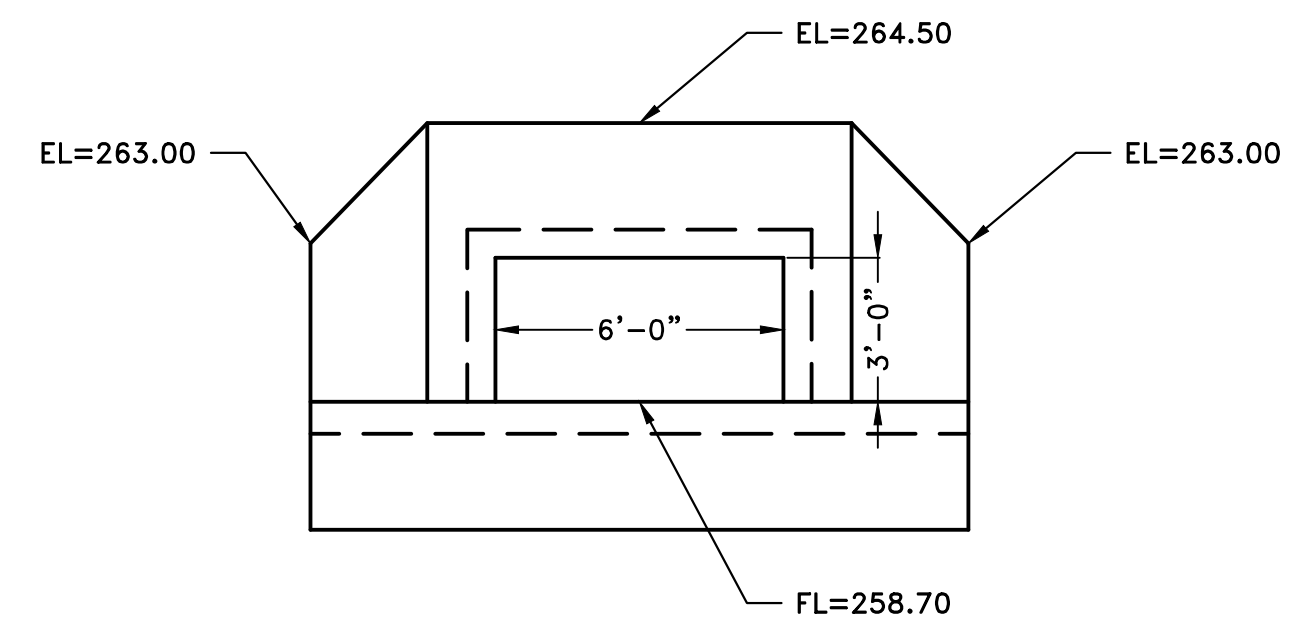
- CONTOUR 25
- SPOT ELEVATION 25.00, 25.50, 25.00
- SPOT CURB ELEVATION
- STORM SEWER - PIPE
- STORM SEWER - MITERED END SECTION
- STORM SEWER - GRATE INLET
- STORM SEWER - JUNCTION BOX
- STORM SEWER - FLARED END SECTION
- STORM SEWER - HEADWALL
- STORM SEWER - INLET WITH SINGLE EXTENSION
- STORM SEWER - INLET WITH DOUBLE EXTENSION
- STORM SEWER - AREA INLET
- GRADE BREAK LINE
- HIGH POINT HP
- LOW POINT LP
- CUT LINE
- FILL LINE
- SANITARY SEWER PIPE
- SANITARY SEWER MANHOLE
- CURB
- CONCRETE
- CONSTRUCTION - ENTRANCE/EXIT
- CHECK DAM
- DIVERSION BERM
- DOWNDRAIN STRUCTURE - TEMPORARY
- ROCK DAM
- SEDIMENT BARRIER - SILT FENCE
- SEDIMENT BARRIER - GRAVEL RING
- SEDIMENT BARRIER - BLOCK & GRAVEL
- SEDIMENT BARRIER - BLOCK
- TEMPORARY SEDIMENT BASIN
- SILT FENCE - TYPE A
- SILT FENCE - TYPE B
- SILT FENCE - TYPE C
- STORM DRAIN OUTLET PROTECTION
- SURFACE ROUGHENING
- DISTURBED AREA STABILIZATION - TEMPORARY STABILIZATION
- DISTURBED AREA STABILIZATION - TEMPORARY GRASSING
- DISTURBED AREA STABILIZATION - PERMANENT GRASSING
- MATTING/BLANKETS



PLAN

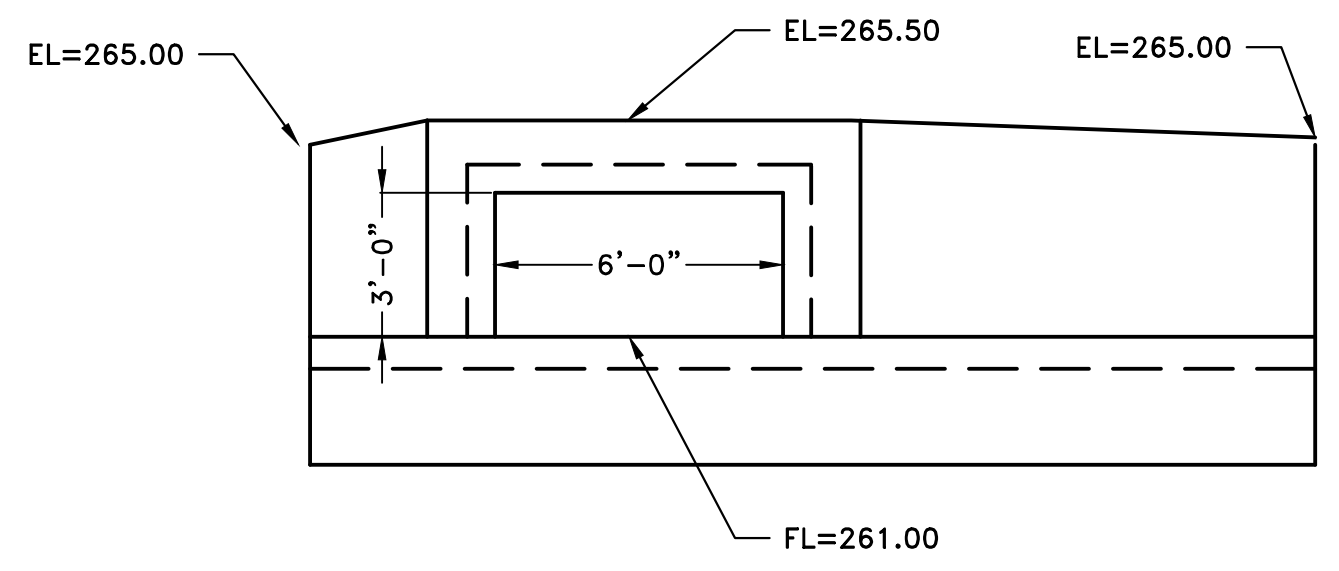


PLAN



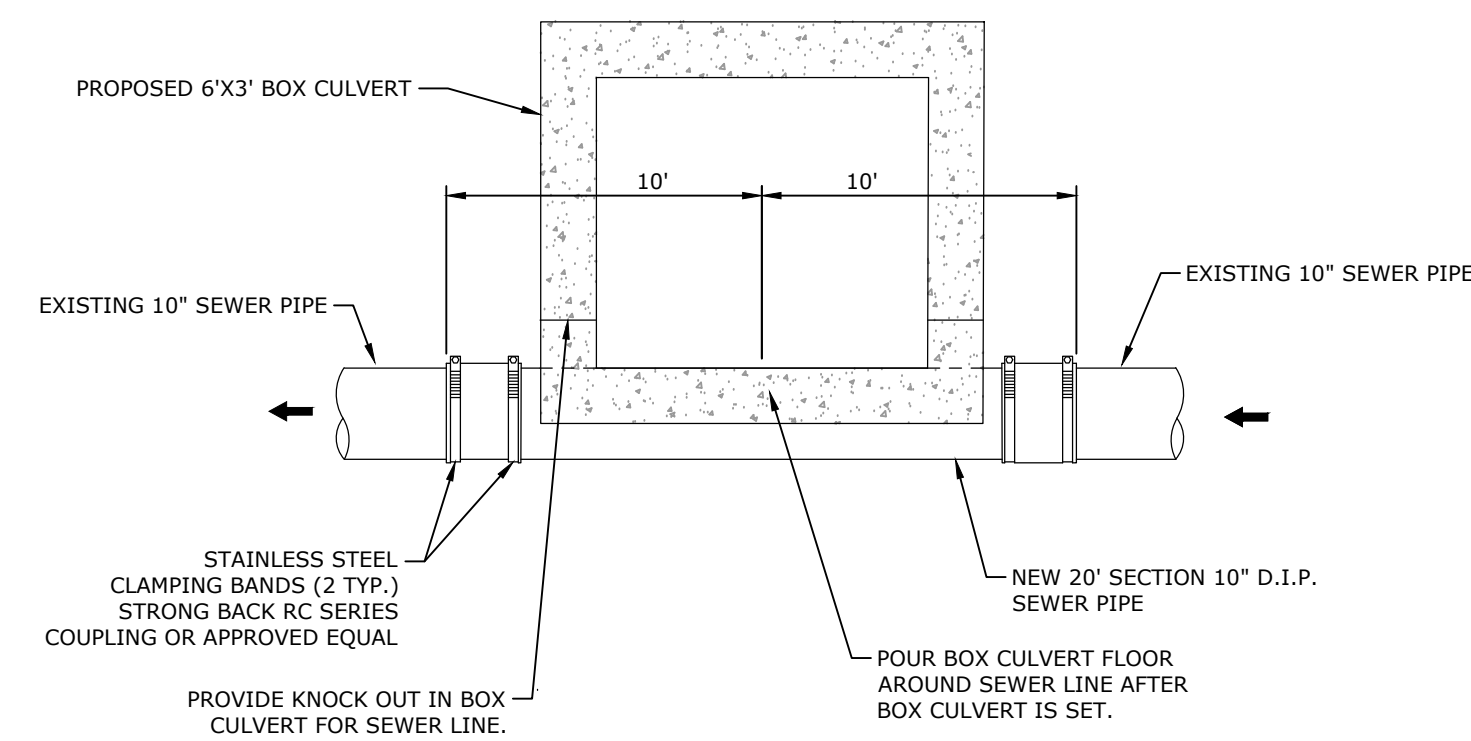
ELEVATION

STATION 10+00 HEADWALL



ELEVATION

STATION 11+10 HEADWALL



**DUCTILE IRON  
SANITARY SEWER CONFLICT DETAIL**  
N.T.S.

- NOTES:**
1. DEMO EXISTING BOX CULVERT.
  2. REFER TO PW-4 HEAD WALL DETAIL FOR REINFORCING AND DIMENSIONS NOT GIVEN.
  3. BOX CULVERT MAY BE POURED IN PLACE OR PRECAST.

**BOX CULVERT DIMENSIONS**  
NTS

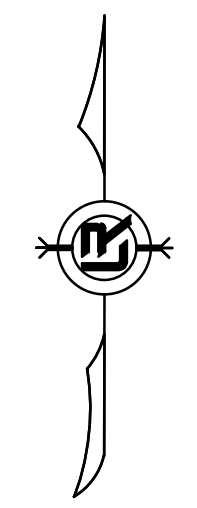
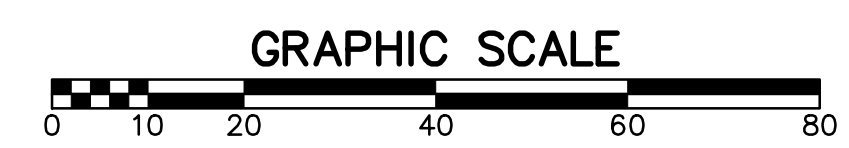
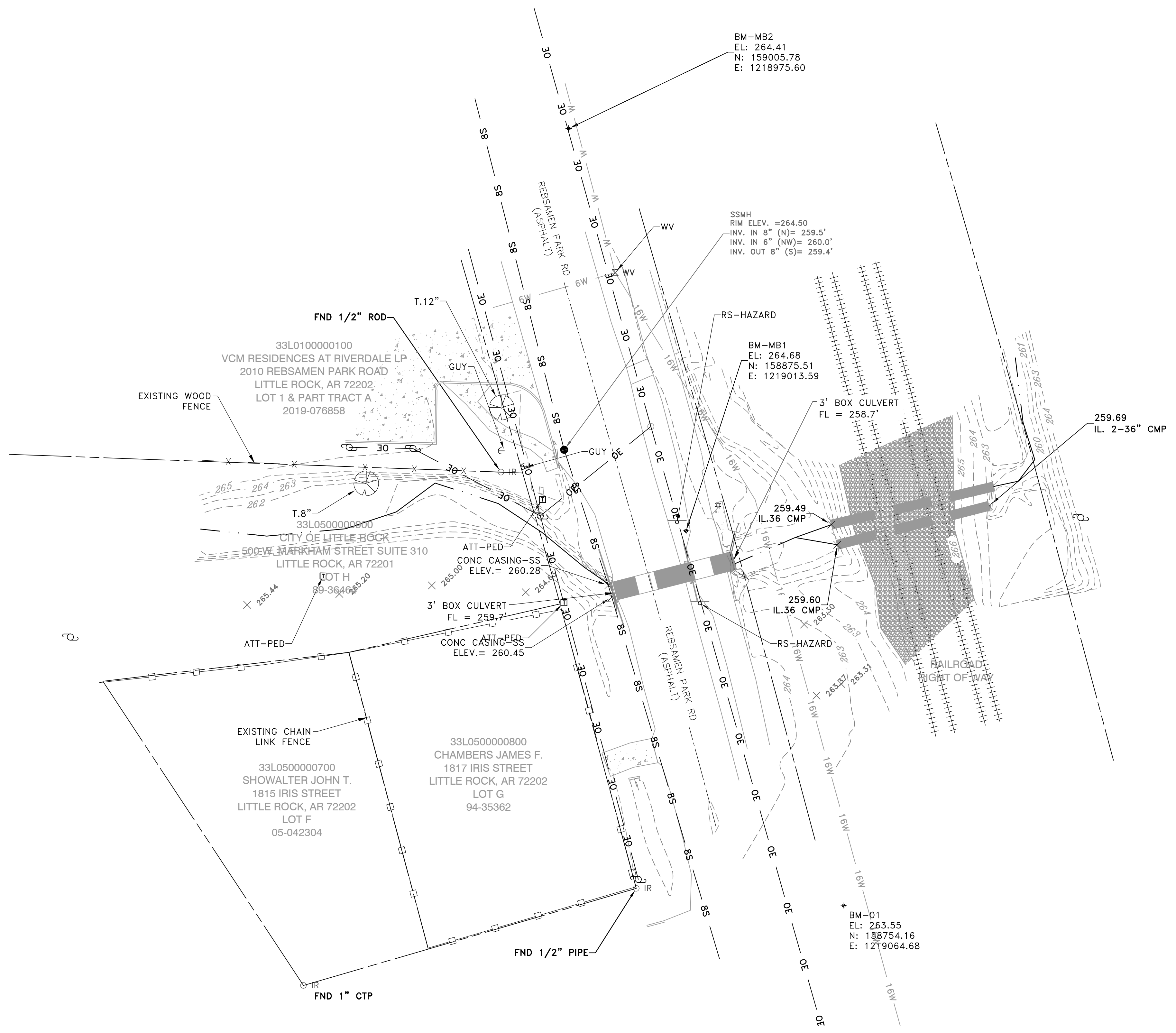
**CITY OF LITTLE ROCK, ARKANSAS**  
**MIDLAND DRAINAGE**  
**LEGEND AND QUANTITIES**

**DEPARTMENT OF PUBLIC WORKS**  
**CIVIL ENGINEERING**  
**701 W. MARKHAM**  
**LITTLE ROCK, ARKANSAS 72201**



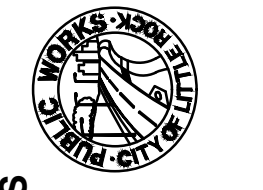
**DRAWN BY**  
**KMH**  
**DESIGNED**  
**KMH**  
**CHECKED**  
**FJS**  
**DATE**  
**8-15-2022**  
**SCALE**  
**N.T.S.**  
**PROJECT NO.**  
**WARD 3**

**SHEET NO.**  
**C2**



REVISIONS	DATE

CITY OF LITTLE ROCK, ARKANSAS  
 REBSAMEN PARK ROAD DRAINAGE  
 EXISTING CONDITIONS

  
 DEPARTMENT OF PUBLIC WORKS  
 CIVIL ENGINEERING  
 701 W. MARKHAM  
 LITTLE ROCK, ARKANSAS 72201


  
 STATE OF ARKANSAS  
 REGISTERED PROFESSIONAL ENGINEER  
 No. 9681  
 M. HANSON

DRAWN BY  
 KMH  
 DESIGNED  
 KMH  
 CHECKED  
 FJS  
 DATE  
 8-15-2022  
 SCALE  
 1"=20'  
 PROJECT NO.  
 WARD 3  
 SHEET NO.  
 C3



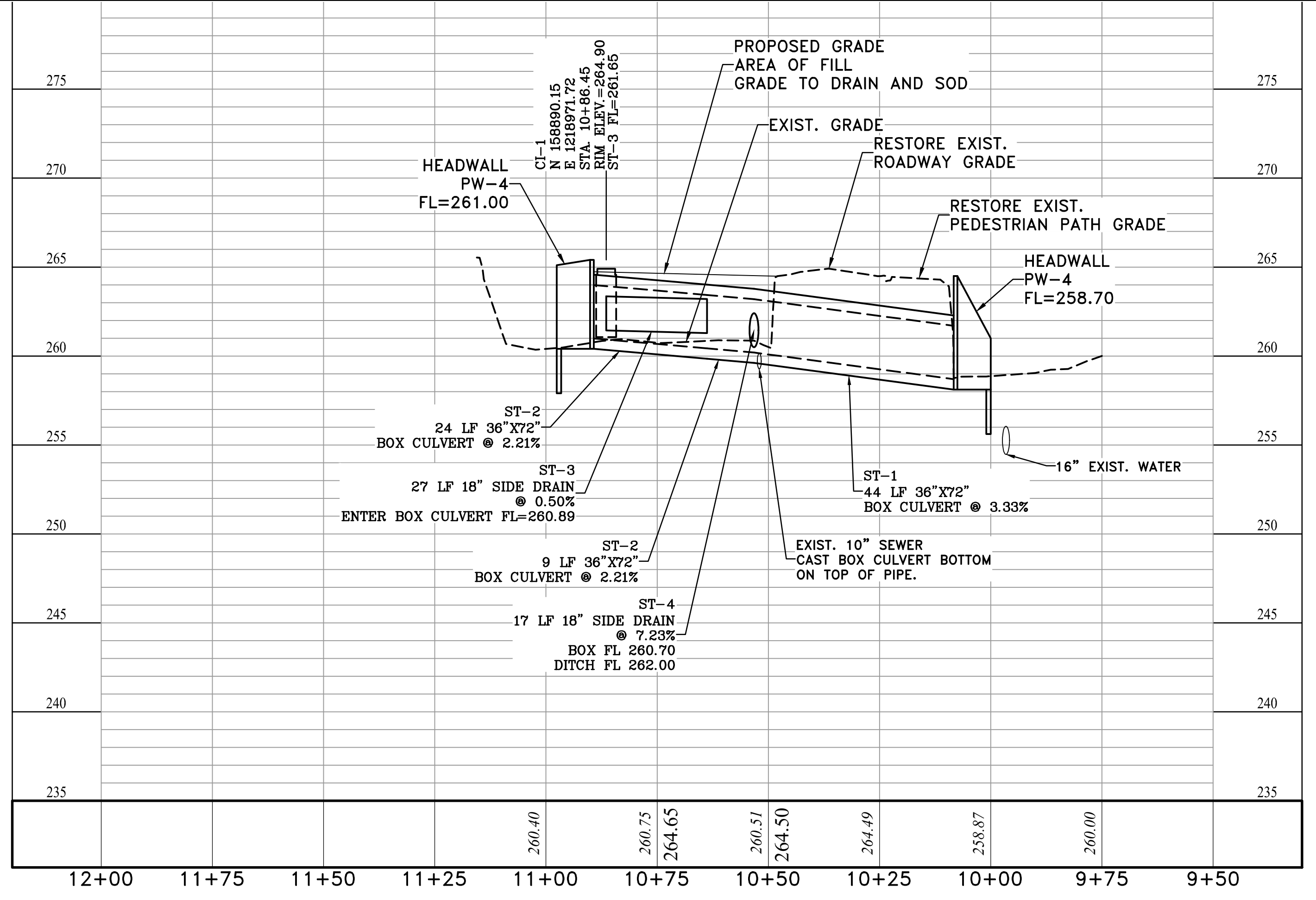
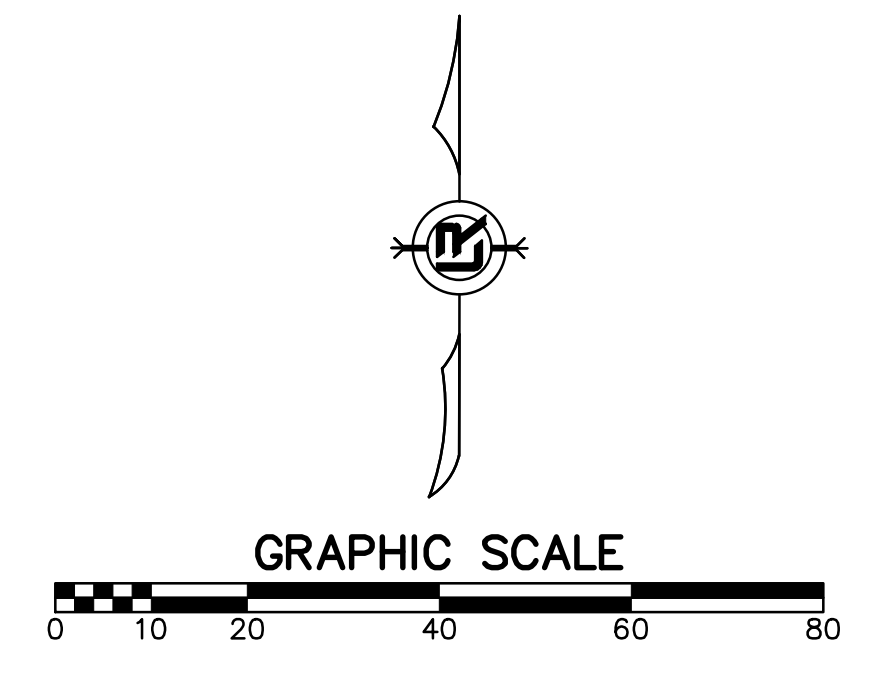
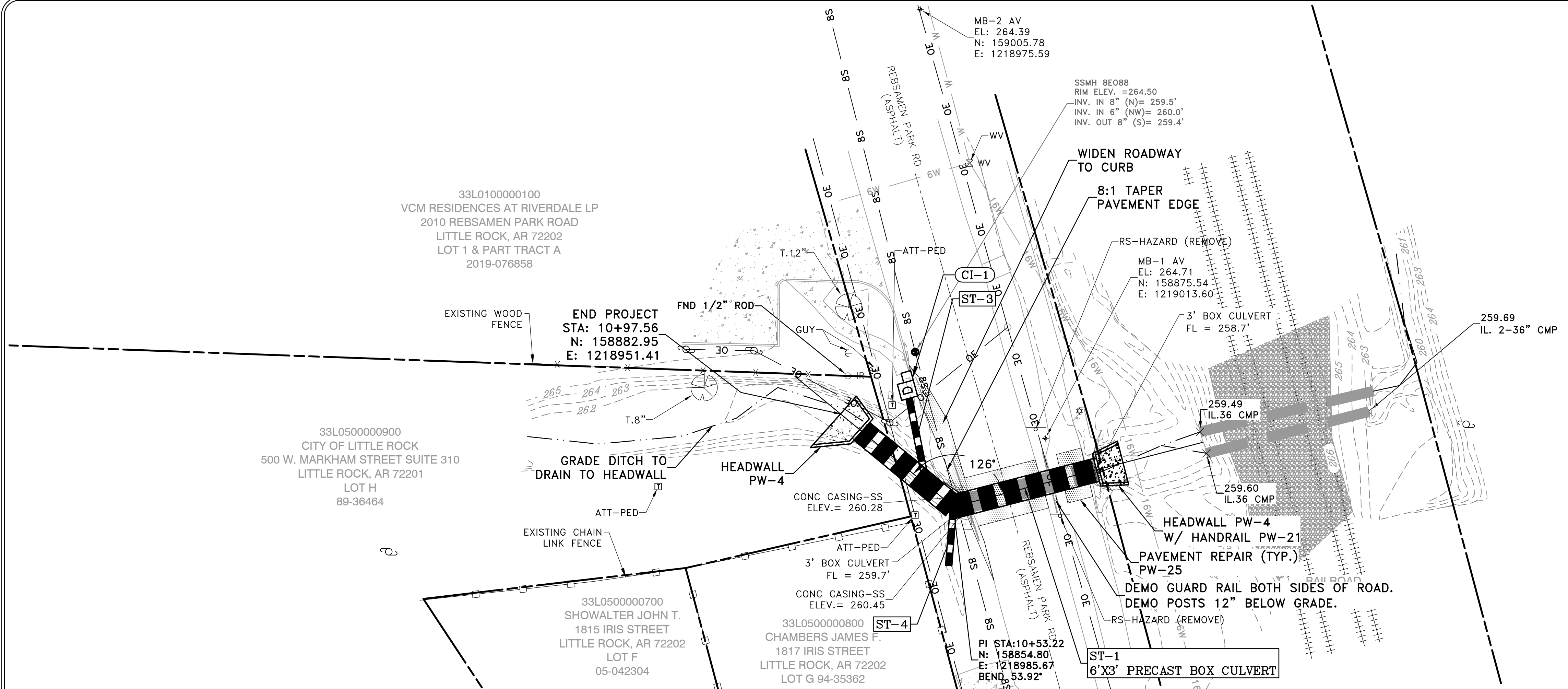
REVISIONS	DATE

**CITY OF LITTLE ROCK, ARKANSAS**  
**REBSAMEN PARK ROAD DRAINAGE**  
**PLAN AND PROFILE**

  
 DEPARTMENT OF PUBLIC WORKS  
 CIVIL ENGINEERING  
 701 W. MARKHAM  
 LITTLE ROCK, ARKANSAS 72201

  
 M. HANSON  
 REGISTERED PROFESSIONAL ENGINEER  
 No. 9681

DRAWN BY  
**KMH**  
 DESIGNED  
**KMH**  
 CHECKED  
**FJS**  
 DATE  
**08-15-2022**  
 SCALE  
**1"=20'**  
 PROJECT NO.  
**WARD 3**  
 SHEET NO.  
**C4**



33L0100000100  
 SIDENCES AT RIVERDALE LP  
 ) REBSAMEN PARK ROAD  
 TTLE ROCK, AR 72202  
 OT 1 & PART TRACT A  
 2019-076858

EXISTING WOOD  
 FENCE

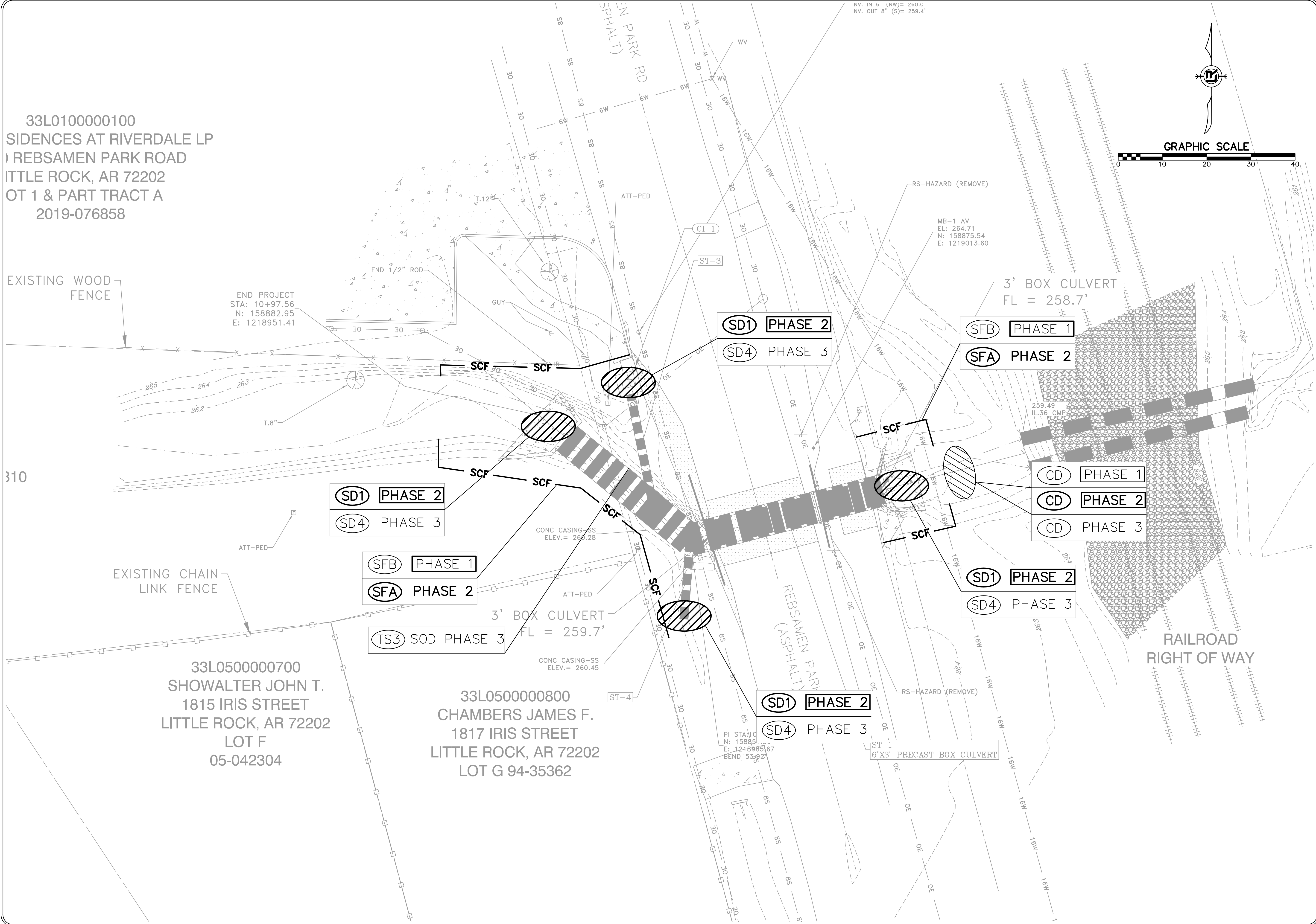
END PROJECT  
 STA: 10+97.56  
 N: 158882.95  
 E: 1218951.41

310

EXISTING CHAIN  
 LINK FENCE

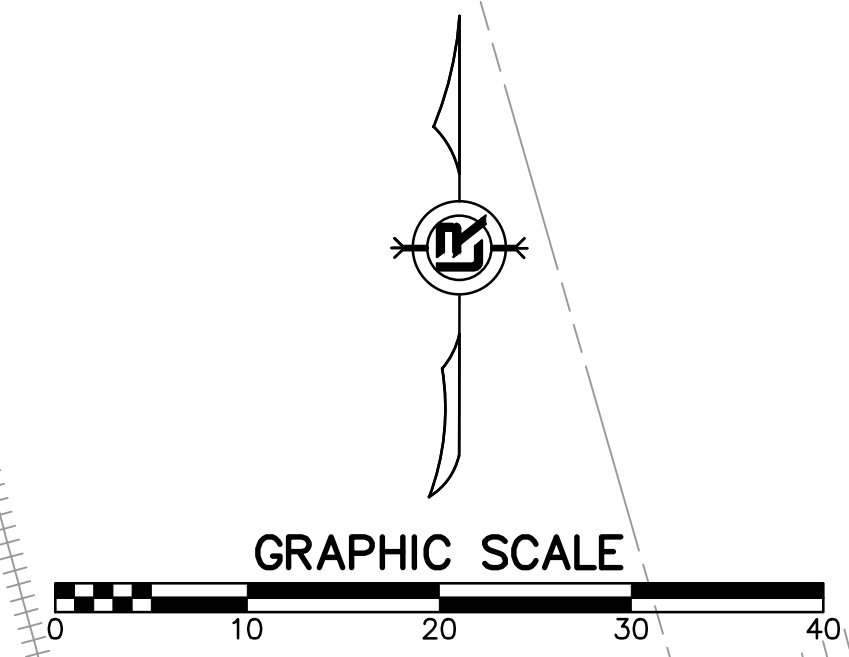
33L0500000700  
 SHOWALTER JOHN T.  
 1815 IRIS STREET  
 LITTLE ROCK, AR 72202  
 LOT F  
 05-042304

33L0500000800  
 CHAMBERS JAMES F.  
 1817 IRIS STREET  
 LITTLE ROCK, AR 72202  
 LOT G 94-35362



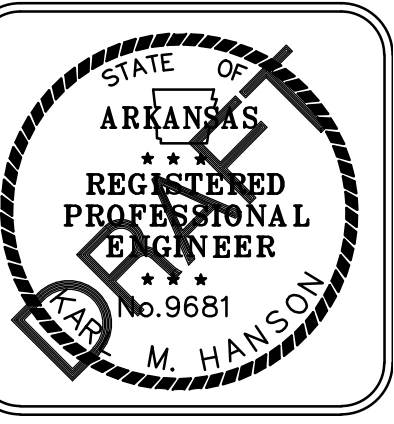
INV. IN 8" (NW)= 260.0  
 INV. OUT 8" (S)= 259.4'

REVISIONS DATE



CITY OF LITTLE ROCK, ARKANSAS  
 REBSAMEN PARK ROAD DRAINAGE  
 EROSION CONTROL

DEPARTMENT OF PUBLIC WORKS  
 CIVIL ENGINEERING  
 701 W. MARKHAM  
 LITTLE ROCK, ARKANSAS 72201



DRAWN BY  
 KMH  
 DESIGNED  
 KMH  
 CHECKED  
 FJS  
 DATE  
 08-15-2022  
 SCALE  
 1"=20'  
 PROJECT NO.  
 WARD 3  
 SHEET NO.  
 C5