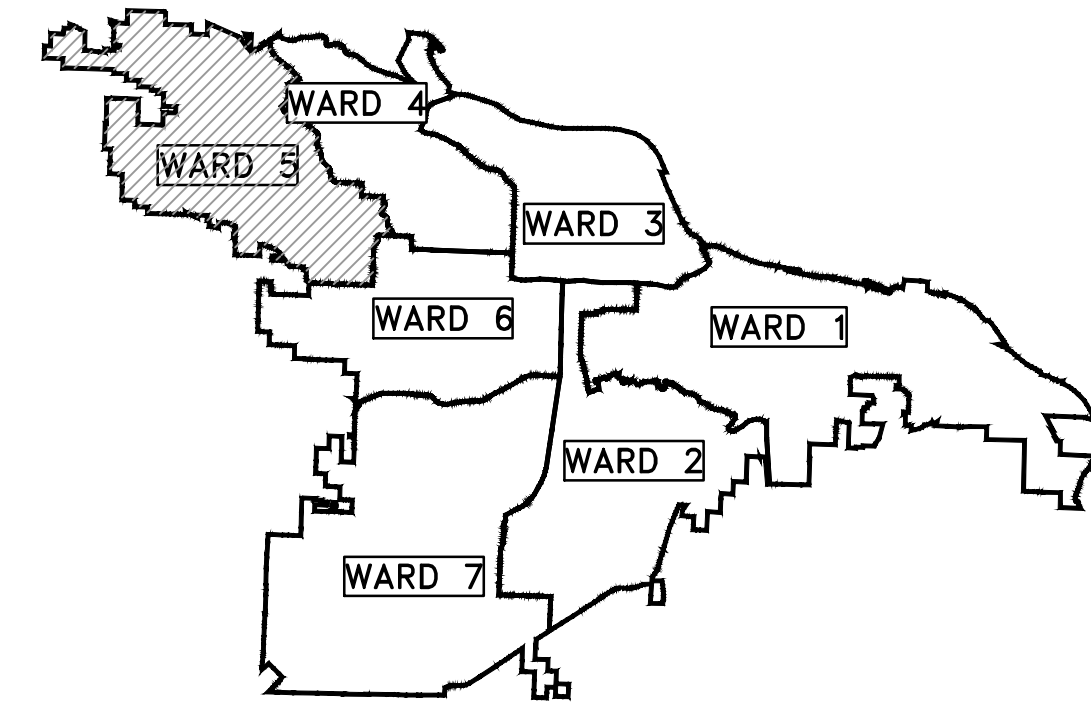
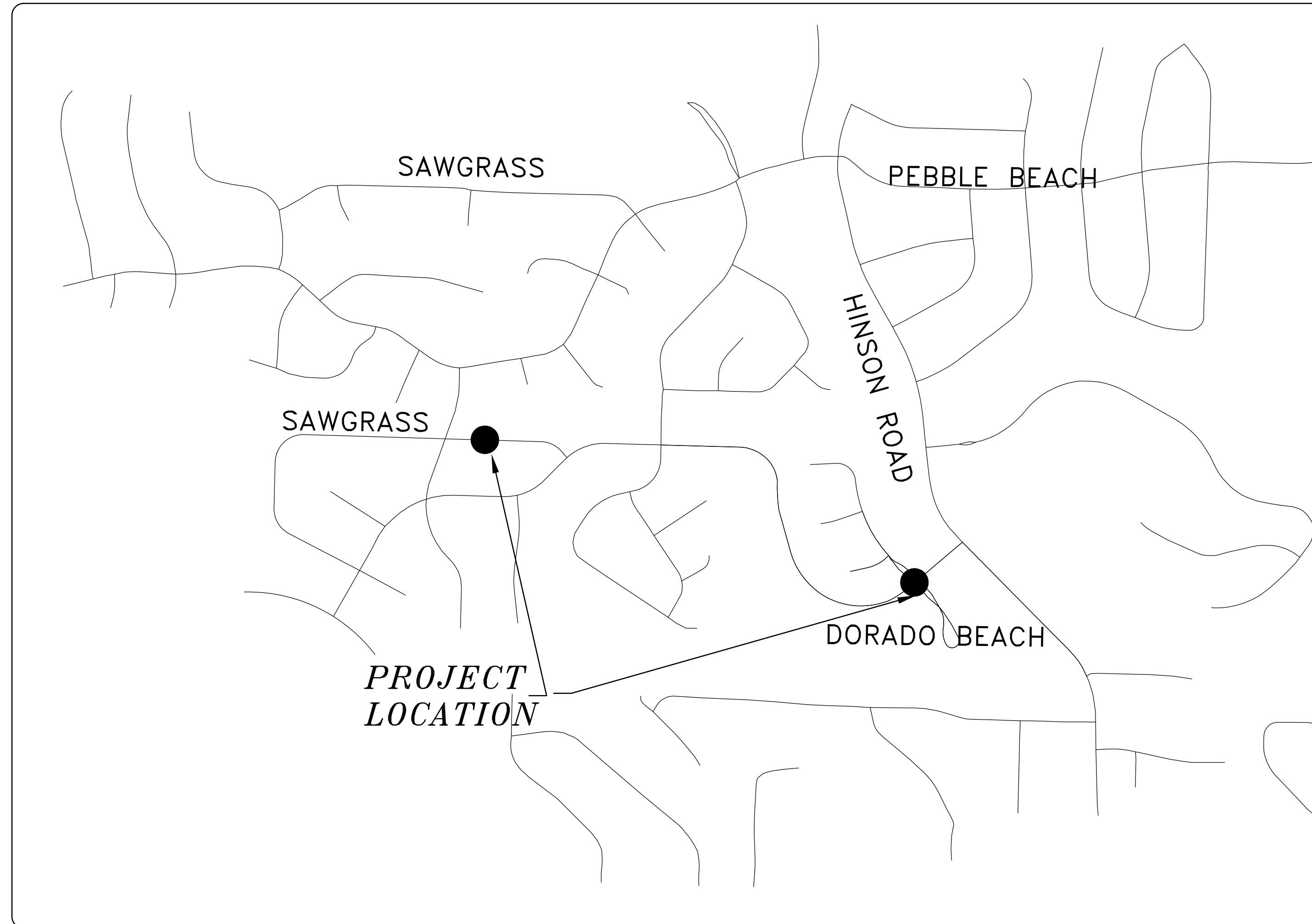
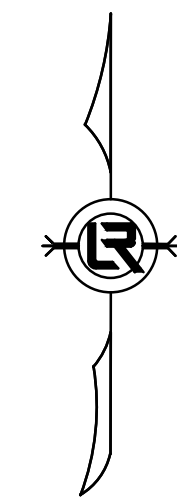


# SAWGRASS RAISED CROSSWALK (SAWGRASS & DORADO BEACH)



PROJECT LOCATION - WARD 5



SHEET NO.	TITLE
C1	COVER SHEET
C2	QUANTITIES & DETAILS
C3	SAWGRASS DR PLAN VIEW
C4	EL DORADO BEACH AT La SCALA
C5	EL DORADO BEACH AT La SCALA PROFILE




DEPARTMENT OF PUBLIC WORKS  
CIVIL ENGINEERING  
701 WEST MARKHAM STREET  
LITTLE ROCK, ARKANSAS 72201

T:\2016\CLR Standard\For CD\811Eng\_hor\_CMYK.jpg

REVISIONS    DATE


CITY OF LITTLE ROCK, ARKANSAS  
SAWGRASS DRIVE  
COVER SHEET

DEPARTMENT OF PUBLIC WORKS  
CIVIL ENGINEERING  
701 W. MARKHAM  
LITTLE ROCK, ARKANSAS 72201



**DRAWN BY**  
NC  
**DESIGNED**  
NC  
**CHECKED**  
DH  
**DATE**  
08-27-2018  
**SCALE**  
N.T.S.  
**PROJECT NO.**  
16-7-DR-244  
**SHEET NO.**  
C1

ITEM #	ITEM DESCRIPTION	UNIT	QUANTITY
2.01	Site Preparation	L.S.	1
3.01	Unclassified Excavation	C.Y.	10
3.06	Borrow Material	C.Y.	10
3.40	Topsoil	C.Y.	10
5.05	Tack Coat	Gal	50
6.01	RAISED CROSSWALK-ACHM Surface Course	TON	35
719.02	Thermoplastic Pavement Marking (12" Wide) (WHITE)	S.F.	288
8.03	Concrete Curb and Gutter (Class 3)	L.F.	95
9.04	Concrete Sidewalk (4" Thick)	S.F.	250
10.80	Rebuild Inlet Top	EA	1
14.01	Solid Sodding (Bermuda)	S.Y.	100
16.01	Maintenance of Traffic	L.S.	1
18.50	Access Ramp	S.F.	190
19.01	Final Cleanup	L.S.	1
27.10	Cold Milling	S.Y.	40

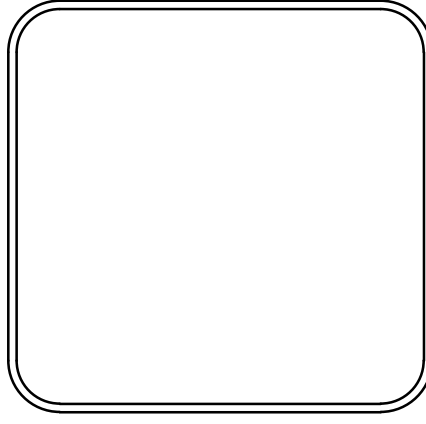
SAWGRASS DRIVE DRAINAGE IMPROVEMENTS

August 27, 2109

REVISIONS	DATE

CITY OF LITTLE ROCK, ARKANSAS  
SAWGRASS DRIVE  
COVER SHEET

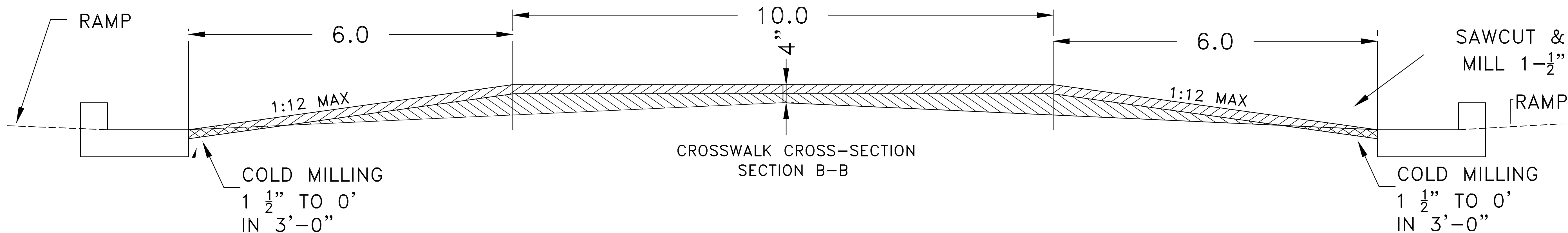
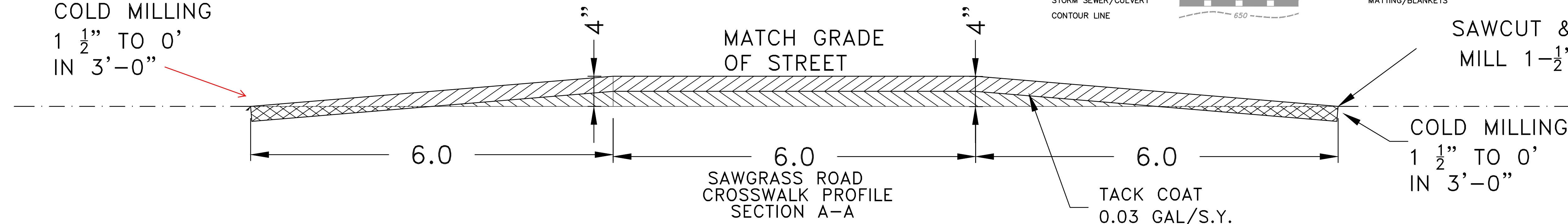
DEPARTMENT OF PUBLIC WORKS  
CIVIL ENGINEERING  
701 W. MARKHAM  
LITTLE ROCK, ARKANSAS 72201

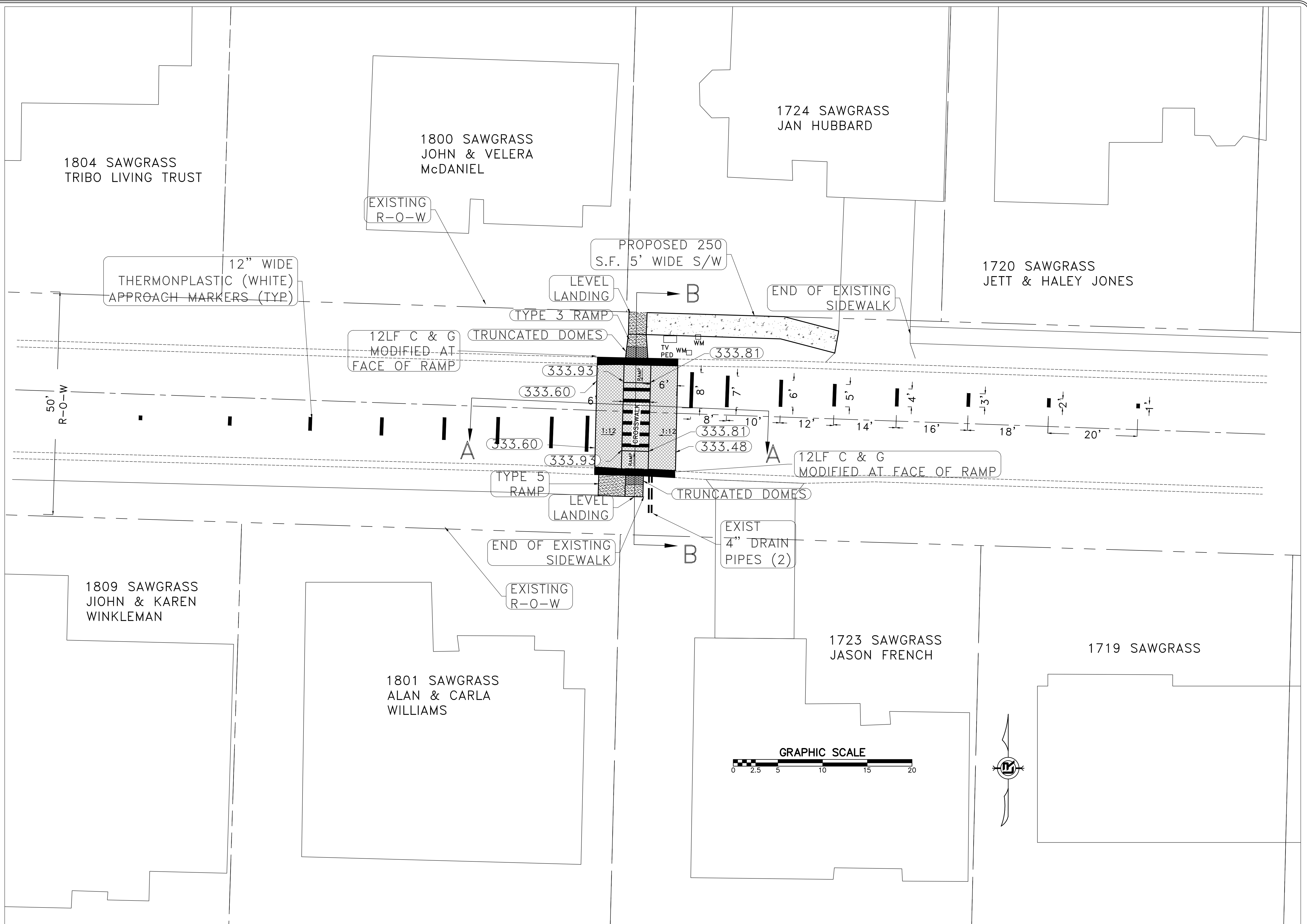


DRAWN BY	NC
DESIGNED	NC
CHECKED	DH
DATE	9-19-2017
SCALE	N.T.S.
PROJECT NO.	16-7-DR-244
SHEET NO.	C2

EXISTING	PROPOSED
IRON ROD	CONTOUR
PK NAIL	SPOT ELEVATION
R.R. SPIKE	SPOT CURB ELEVATION
CONC. MONUMENT	STORM SEWER - PIPE
WATER VALVE	STORM SEWER - MITERED END SECTION
WATER METER	STORM SEWER - GRATE INLET
FIRE HYDRANT	STORM SEWER - JUNCTION BOX
GAS METER	STORM SEWER - FLARED END SECTION
GAS VALVE	STORM SEWER - HEADWALL
CLEAN-OUT	STORM SEWER - INLET WITH SINGLE EXTENSION
GUARD POST (BOLLARD)	STORM SEWER - INLET WITH DOUBLE EXTENSION
SIGN POST	STORM SEWER - AREA INLET
BENCHMARK	GRADE BREAK LINE
STORM SEWER MANHOLE	HIGH POINT
SANITARY SEWER MANHOLE	LOW POINT
TELEPHONE MANHOLE	CUT LINE
ELECTRIC MANHOLE	FILL LINE
TELEPHONE BOX	SANITARY SEWER PIPE
ELECTRIC BOX	SANITARY SEWER MANHOLE
CABLE BOX	CURB
UTILITY POLE	CONCRETE
GUY WIRE	CONSTRUCTION - ENTRANCE/EXIT
LIGHT POLE	CHECK DAM
POST OR POLE (TYPE AS NOTED)	DIVERSION BERM
MAILBOX	DOWNDRAIN STRUCTURE - TEMPORARY
DECIDUOUS TREE	ROCK DAM
EVERGREEN/CONIFEROUS TREE	SEDIMENT BARRIER - SILT FENCE
BUSH	SEDIMENT BARRIER - GRAVEL RING
PROPERTY LINE	SEDIMENT BARRIER - BLOCK & GRAVEL
SETBACK LINE	SEDIMENT BARRIER - BLOCK
EASEMENT LINE	TEMPORARY SEDIMENT BASIN
CURB	SILT FENCE - TYPE A
FENCE	SILT FENCE - TYPE B
OVERHEAD UTILITY	SILT FENCE - TYPE C
UNDERGROUND TELEPHONE	STORM DRAIN OUTLET PROTECTION
UNDERGROUND ELECTRIC	SURFACE ROUGHENING
WATER LINE	DISTURBED AREA STABILIZATION -TEMPORARY STABILIZATION
SEWER LINE	DISTURBED AREA STABILIZATION -TEMPORARY GRASSING
GAS LINE	DISTURBED AREA STABILIZATION -PERMANENT GRASSING
STORM SEWER/CULVERT	MATting/BLANKETS
CONTOUR LINE	

SAWCUT &  
COLD MILLING  
1 1/2" TO 0'  
IN 3'-0"

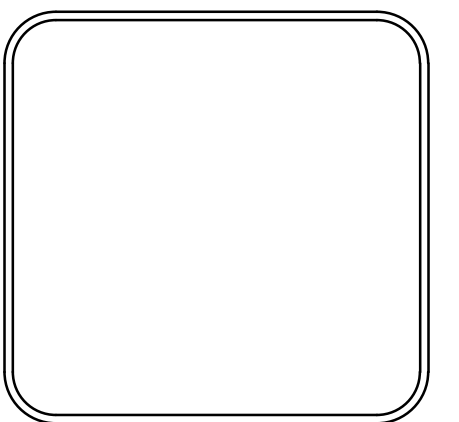




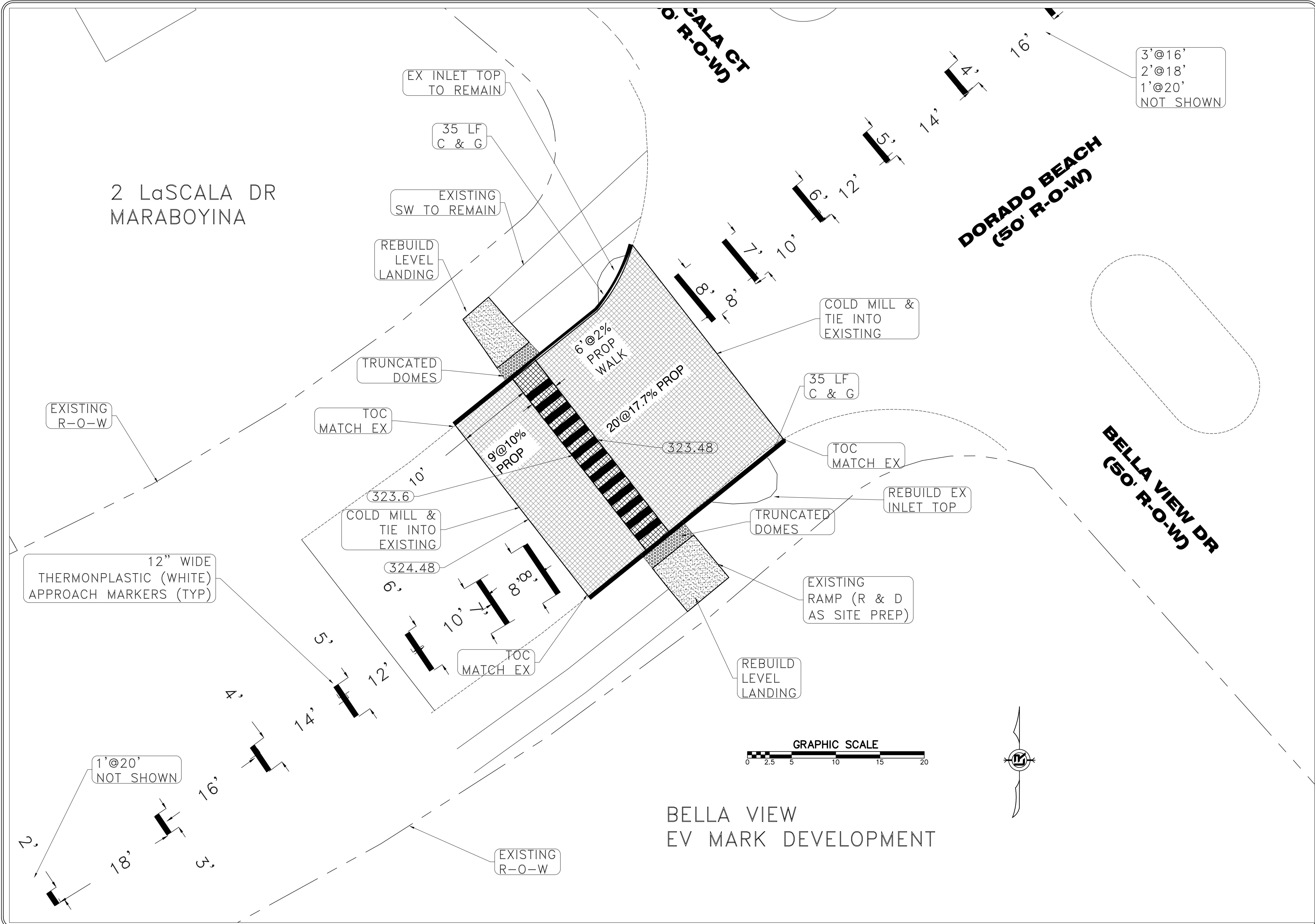
REVISIONS	DATE

CITY OF LITTLE ROCK, ARKANSAS  
 SAWGRASS DRIVE  
 PLAN VIEW

DEPARTMENT OF PUBLIC WORKS  
 CIVIL ENGINEERING  
 701 W. MARKHAM  
 LITTLE ROCK, ARKANSAS 72201



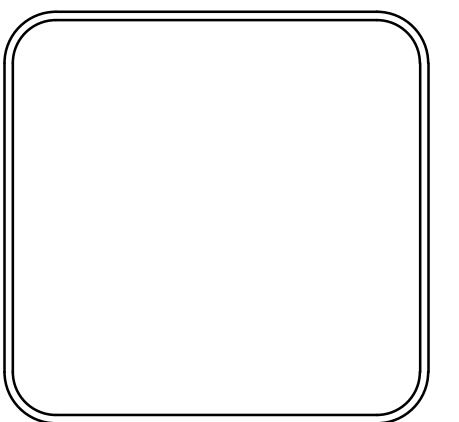
DRAWN BY VH
DESIGNED VH
CHECKED VH
DATE 09-25-2018
SCALE H: 1"=5'
PROJECT NO.
SHEET NO. C3



REVISIONS	DATE

CITY OF LITTLE ROCK, ARKANSAS  
 DORADO BEACH AT La SCALA COURT  
 PLAN VIEW

DEPARTMENT OF PUBLIC WORKS  
 CIVIL ENGINEERING  
 701 W. MARKHAM  
 LITTLE ROCK, ARKANSAS 72201



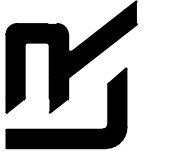
DRAWN BY  
 VH  
 DESIGNED  
 VH  
 CHECKED  
 VH  
 DATE  
 09-25-2018  
 SCALE  
 H: 1"=5'  
 PROJECT NO.  
 SHEET NO.  
 C4

REVISIONS    DATE

CITY OF LITTLE ROCK, ARKANSAS  
DORADO BEACH AT La SCALA COURT

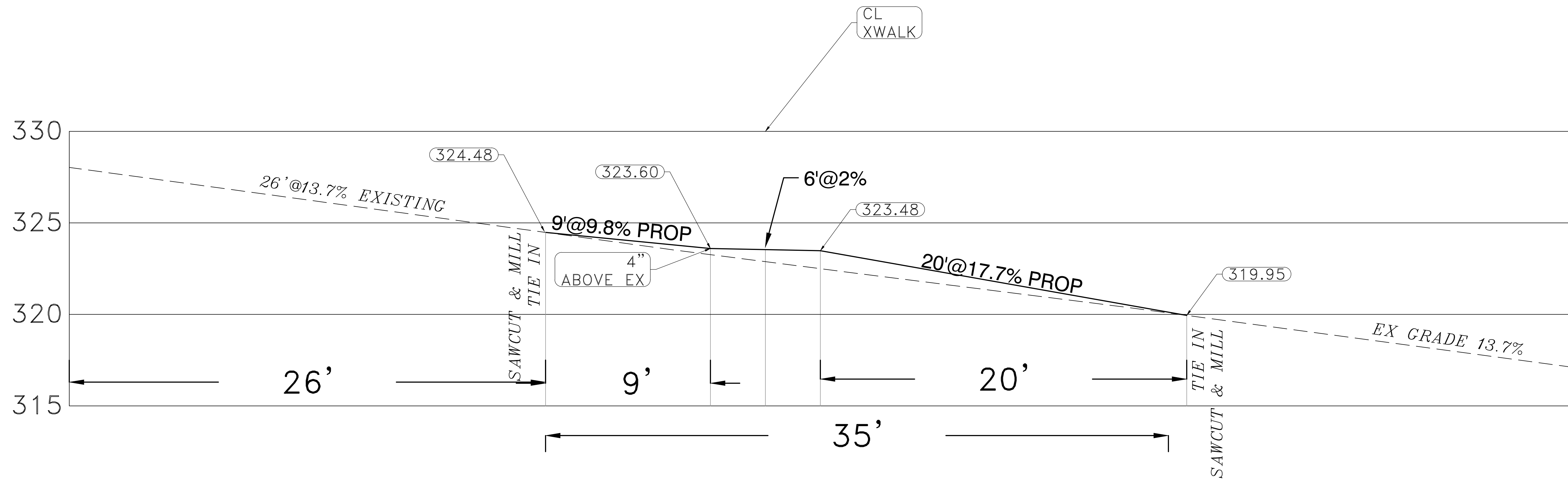
PROFILE VIEW

DEPARTMENT OF PUBLIC WORKS  
CIVIL ENGINEERING  
701 W. MARKHAM  
LITTLE ROCK, ARKANSAS 72201



DRAWN BY  
VH  
DESIGNED  
VH  
CHECKED  
VH  
DATE  
09-25-218  
SCALE  
H: 1"=3'  
PROJECT NO.

SHEET NO.  
C5



CROSSWALK PROFILE  
DORADO BEACH

