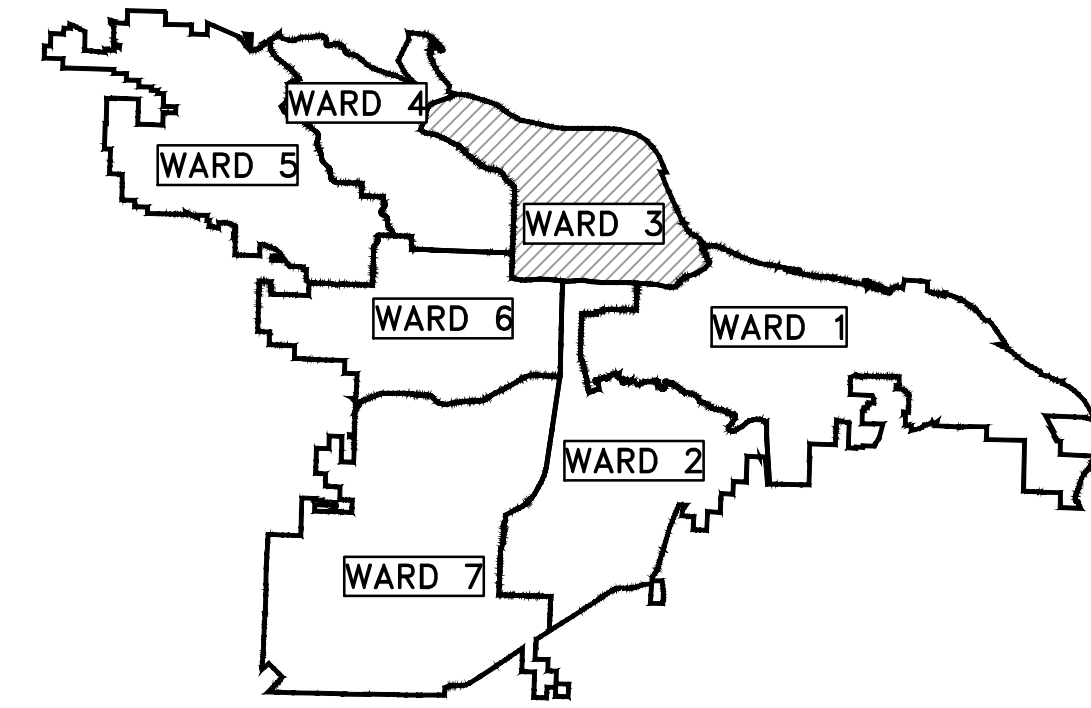


CLR PROJECT 03-15-DR-95

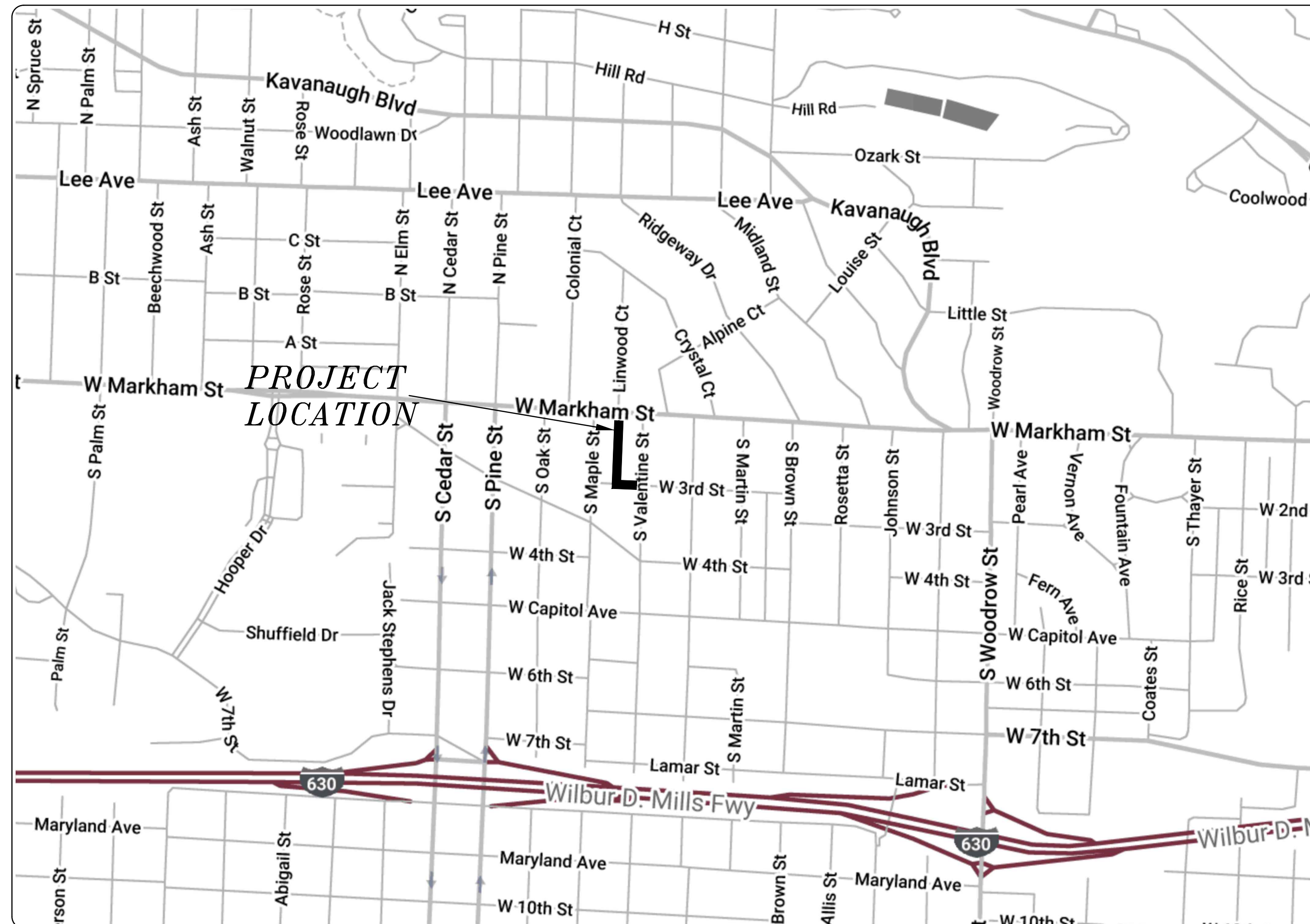
S. VALENTINE STREET DRAINAGE IMPROVEMENTS

MARKHAM STREET TO WEST 3RD STREET



PROJECT LOCATION - WARD 3

SHEET NO.	TITLE
C1	COVER SHEET
C2	QUANTITIES & DETAILS
C3	TYPICAL SECTIONS
C4 - C8	SPECIAL DETAILS
C9	FIELD TIES/LAYOUT
C10	BOX CULVERT 1
C11	BOX CULVERT 2
C12	ALLEY
C13	DRIVEWAY DETAILS 1
C14	EROSION CONTROL
C15	MAINTENANCE OF TRAFFIC
C16	CROSS SECTIONS



60% SUBMITTAL



2019-2021
BOND PROGRAM

DEPARTMENT OF PUBLIC WORKS
CIVIL ENGINEERING
701 WEST MARKHAM STREET
LITTLE ROCK, ARKANSAS 72201



4701 Northshore Drive
North Little Rock, AR 72118
501-376-3633

REVISIONS	DATE

CITY OF LITTLE ROCK, ARKANSAS
S. VALENTINE STREET DRAINAGE IMPROVEMENTS

COVER SHEET

DEPARTMENT OF PUBLIC WORKS
CIVIL ENGINEERING
701 W. MARKHAM
LITTLE ROCK, ARKANSAS 72201

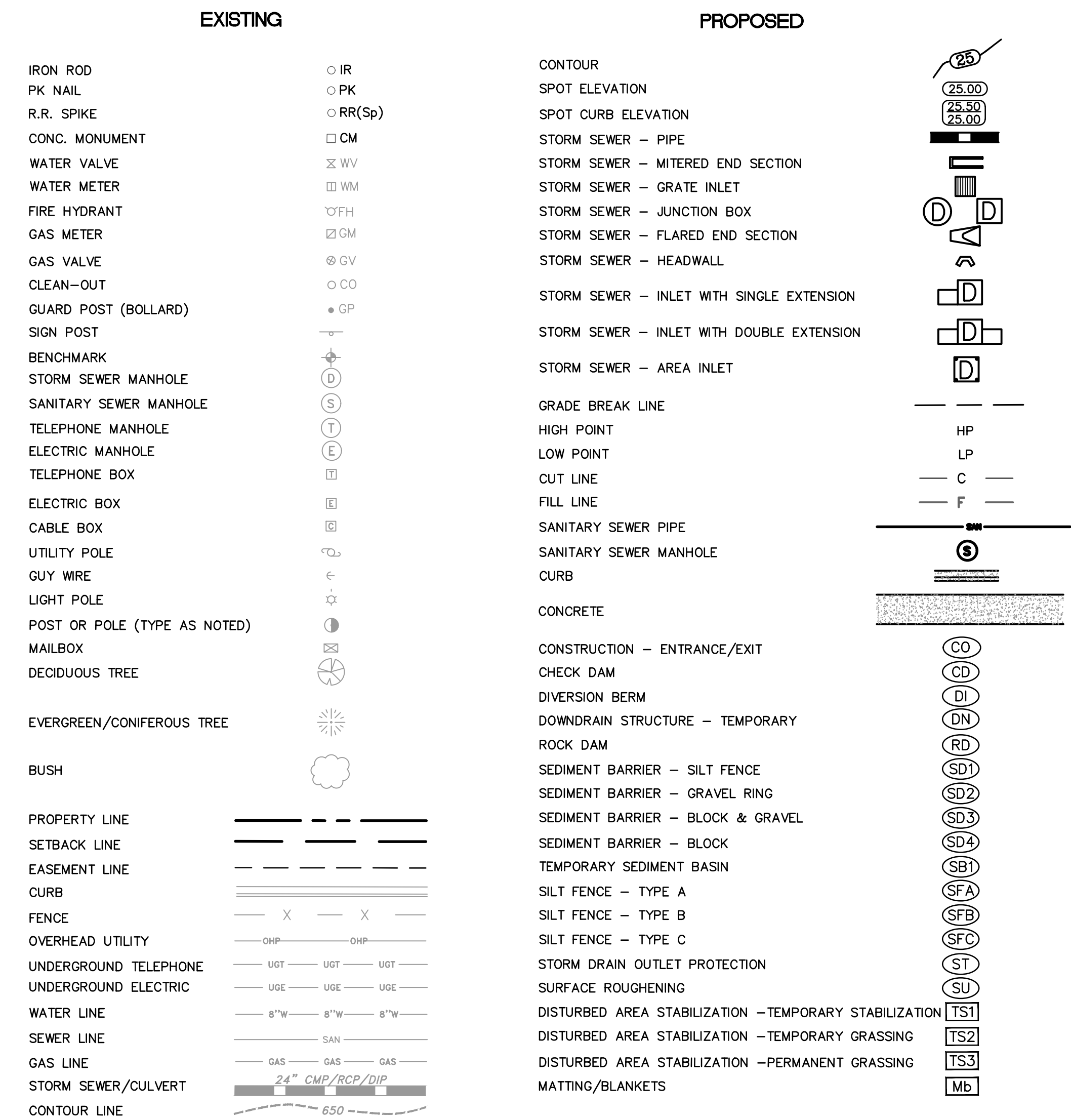


DRAWN BY	MJM
DESIGNED	MJM
CHECKED	RCC
DATE	8-21-2019
SCALE	N.T.S.
PROJECT NO.	03-15-DR-95
SHEET NO.	C1

CLR PROJECT# 03-15-DR-95			
S. VALENTINE STREET DRAINAGE IMPROVEMENTS			
August 21, 2019			
ITEM #	ITEM DESCRIPTION	UNIT	QUANTITY
2.01	SITE PREPARATION	LS	1
3.01	UNCLASSIFIED EXCAVATION	CY	50
3.06	BORROW MATERIAL	CY	50
3.40	TOPSOIL	CY	93
4.01	AGGREGATE BASE COURSE	TON	116
6.01	ACHM SURFACE COURSE	TON	37
7.06	CONCRETE DRIVEWAY (6" THICK), STANDARD FINISH	SF	436
7.08	ALLEY TURNOUT (8" THICK)	SF	215
8.03	CONCRETE CURB AND GUTTER (CLASS 3)	LF	167
8.05	CONCRETE CURB AND GUTTER (TYPE SPECIAL)	LF	40
10.02	AREA INLET	EA	2
10.04	CURB INLET - 4' BOX	EA	4
10.10	WING 6' EXTENSION	EA	2
10.14	WING 10' EXTENSION	EA	4
11.01	REINFORCED CONCRETE PRECAST BOX CULVERT	LF	503
11.03	REINFORCED CONCRETE BOX CULVERT TRANSITION	CY	15
11.11	CONCRETE PIPE COLLAR	EA	1
13.24X	STORM DRAIN PIPE, 24" CROSS DRAIN	LF	36
13.30S	STORM DRAIN PIPE, 30" SIDE DRAIN	LF	7
14.01	SOLID SODDING, BERMUDA	SY	829
16.01	MAINTENANCE OF TRAFFIC	LS	1
17.02	CUT & REPAIR EXISTING STREET	SY	270
19.01	FINAL CLEANUP	LS	1
24.02	CHECK DAM (CD)	CY	5
24.06	SEDIMENT BARRIER, SILT FENCE (SD1)	EA	7
24.09	SEDIMENT BARRIER, BLOCK (SD4)	EA	8
24.12	SILT FENCE - TYPE B (SFB)	LF	384
25.04	FENCE CHAIN LINK (4')	LF	48
25.16	FENCE WOOD (6')	LF	238
25.44	FENCE GATE, CHAIN LINK DOUBLE SWING (4')	LF	9
25.56	FENCE GATE, WOOD (6')	LF	16
26.10	TRENCH & EXCAVATION SAFETY	LS	1
29.10	PROJECT INFORMATION KIOSK (PW-18)	LS	1

GENERAL NOTES:

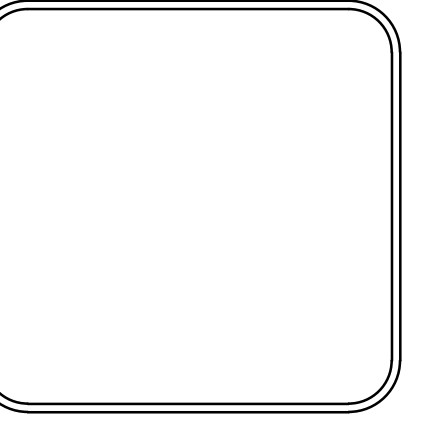
1. ALL EXISTING STRUCTURES OR UTILITIES WITHIN THE LIMITS OF EXISTING OR PROPOSED EASEMENTS SHALL REMAIN UNDISTURBED UNLESS OTHERWISE NOTED ON THE PLANS.
2. WHERE EXCAVATION ENDANGERS THE STABILITY OF A BUILDING, WALL, STREET, UTILITIES OR OTHER INSTALLATION, THE CONTRACTOR SHALL PROVIDE SUPPORT SYSTEMS SUCH AS SHORING, BRACING, OR UNDERPINNING TO ENSURE STABILITY OF SUCH STRUCTURE OR UTILITY. PRIOR TO CONSTRUCTION OF THE SHORING SYSTEM, THE CONTRACTOR SHALL SUBMIT THE DESIGN AND DETAILS OF THE THE SYSTEM TO THE ENGINEER FOR INFORMATIONAL AND RECORD PURPOSES. THE DESIGN AND DETAILS SHALL BE PREPARED AND/OR APPROVED BY A PROFESSIONAL ENGINEER REGISTERED IN ARKANSAS. THE CONTRACTOR SHALL BE RESPONSIBLE FOR THE ADEQUACY OF THE TEMPORARY SHORING DURING THE ENTIRE PERIOD OF CONSTRUCTION.



REVISIONS	DATE

CITY OF LITTLE ROCK, ARKANSAS
 S. VALENTINE STREET DRAINAGE IMPROVEMENTS
 QUANTITIES & DETAILS

DEPARTMENT OF PUBLIC WORKS
 CIVIL ENGINEERING
 701 W. MARKHAM
 LITTLE ROCK, ARKANSAS 72201

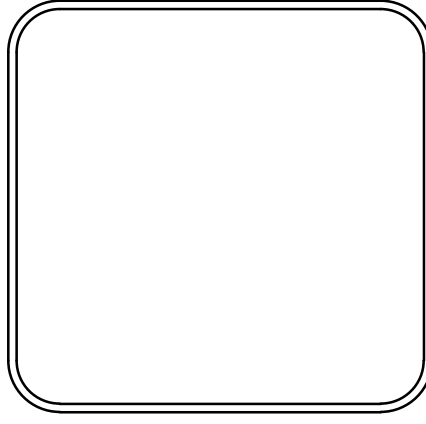


DRAWN BY	MJM
DESIGNED	MJM
CHECKED	RCC
DATE	8-21-2019
SCALE	N.T.S.
PROJECT NO.	03-15-DR-95
SHEET NO.	C2

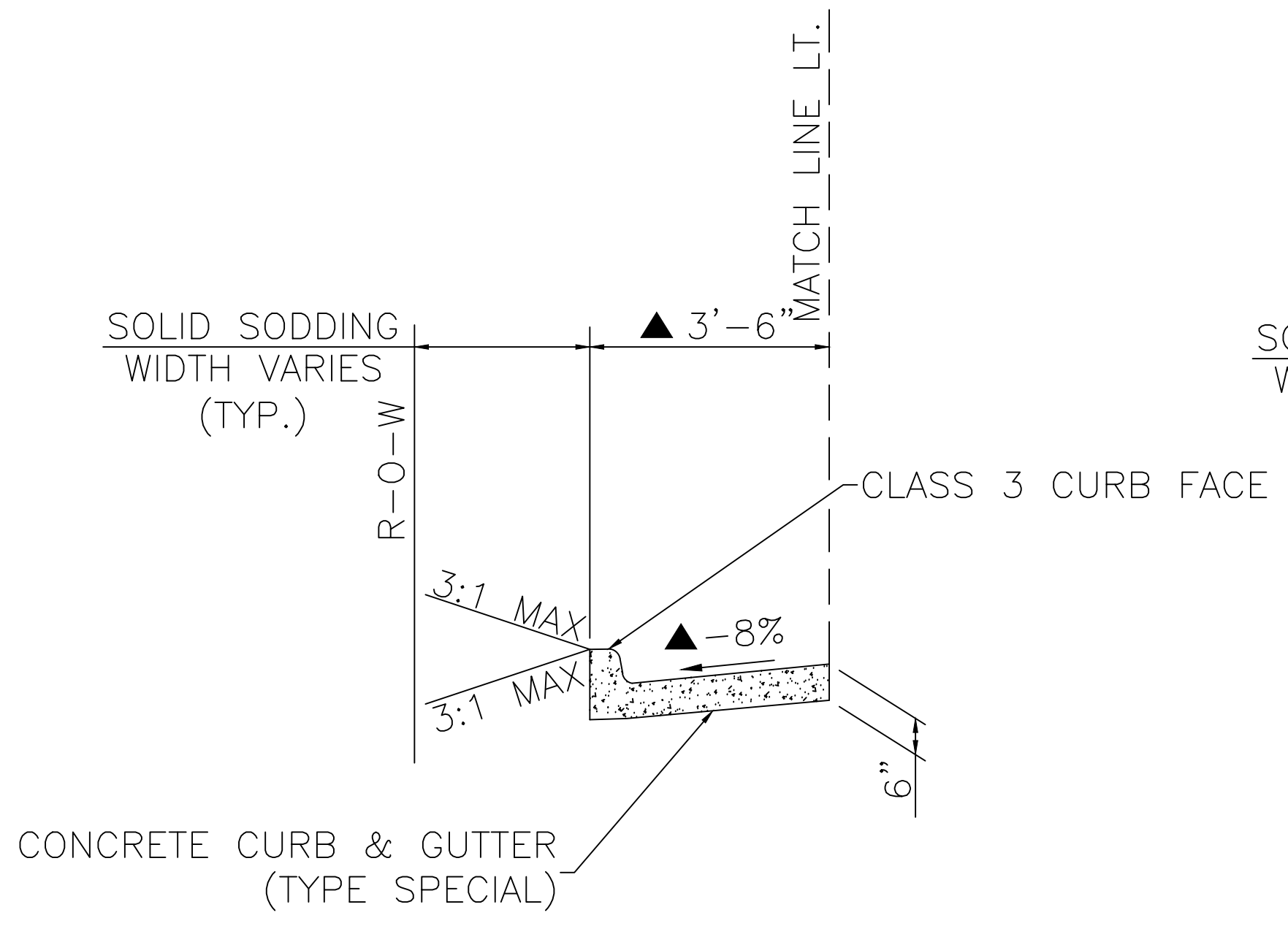
REVISIONS	DATE

CITY OF LITTLE ROCK, ARKANSAS
S. VALENTINE STREET DRAINAGE IMPROVEMENTS
TYPICAL SECTIONS

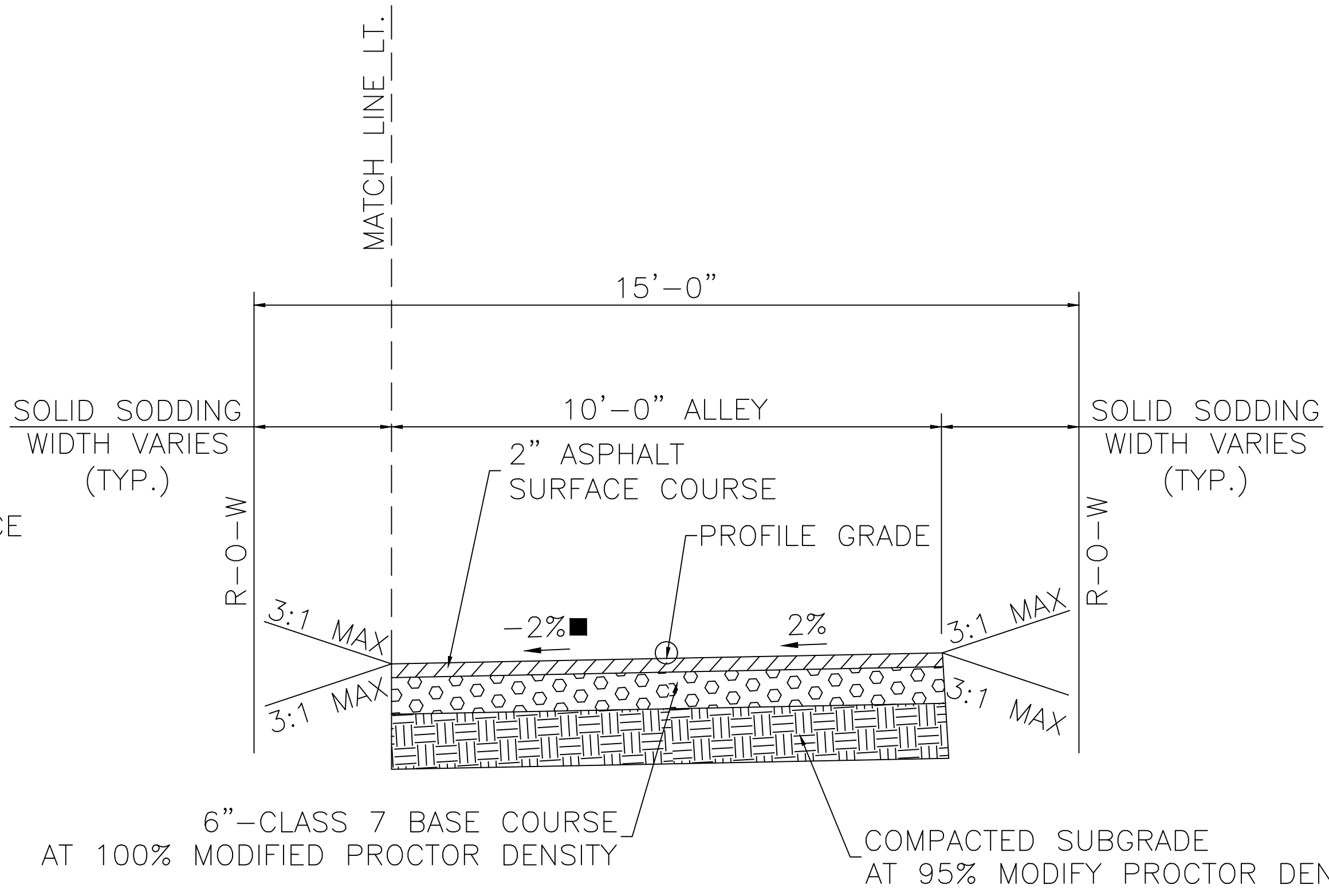
DEPARTMENT OF PUBLIC WORKS
CIVIL ENGINEERING
701 W. MARKHAM
LITTLE ROCK, ARKANSAS 72201



DRAWN BY MJM
DESIGNED MJM
CHECKED RCC
DATE 8-21-2019
SCALE N.T.S.
PROJECT NO. 03-15-DR-95
SHEET NO. C3

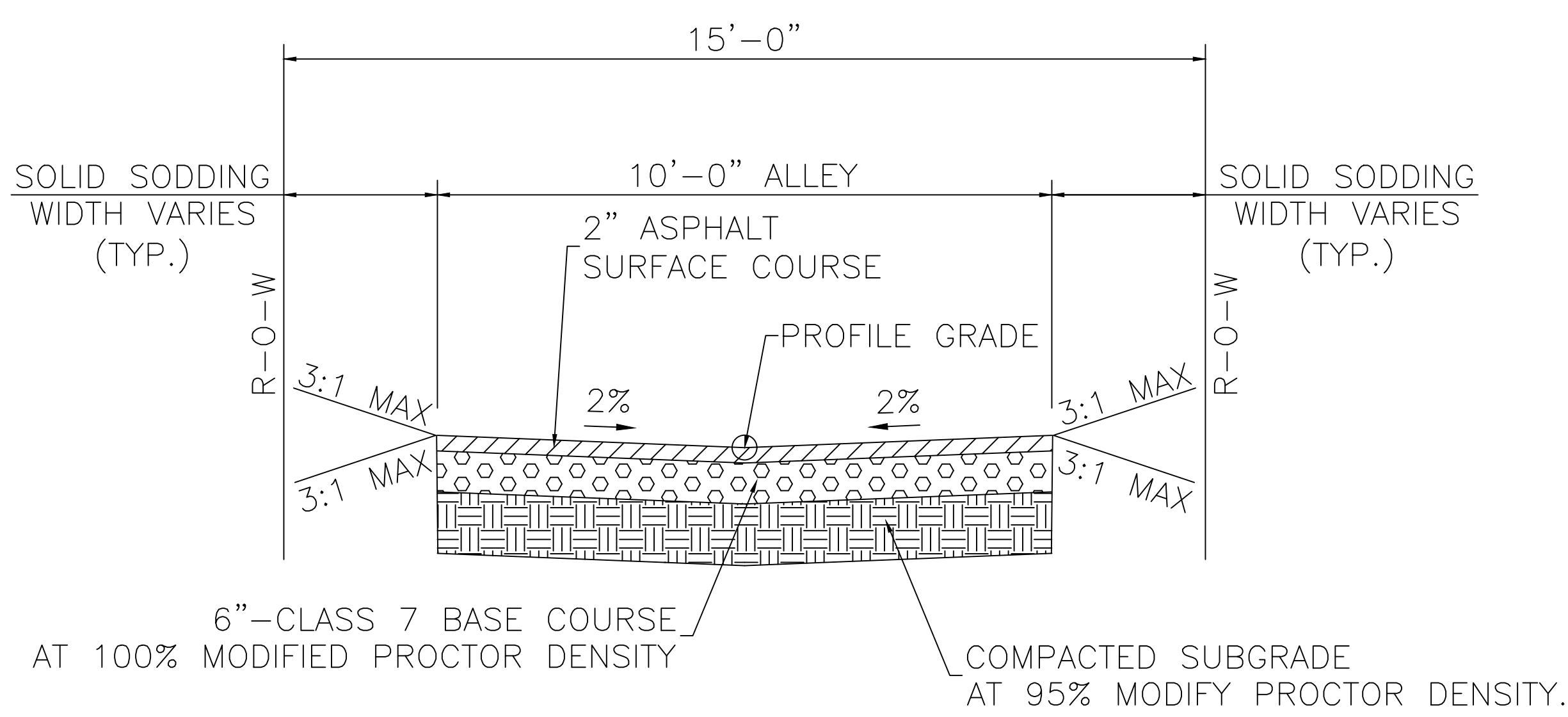


TYPICAL SECTION
STA. 10+67.50 TO STA. 11+09.34



ALLEY TYPICAL SECTION
STA. 10+78.00 TO STA. 11+24.00

- TRANSITION CROSS SLOPE FROM -2% TO +2% BETWEEN STA. 10+94.00 AND STA. 11+24.00. SEE DRIVEWAY DETAILS FOR ADDITIONAL INFORMATION.
- ▲ WIDTH AND SLOPE VARIES. SEE DRIVEWAY DETAILS FOR ADDITIONAL INFORMATION.



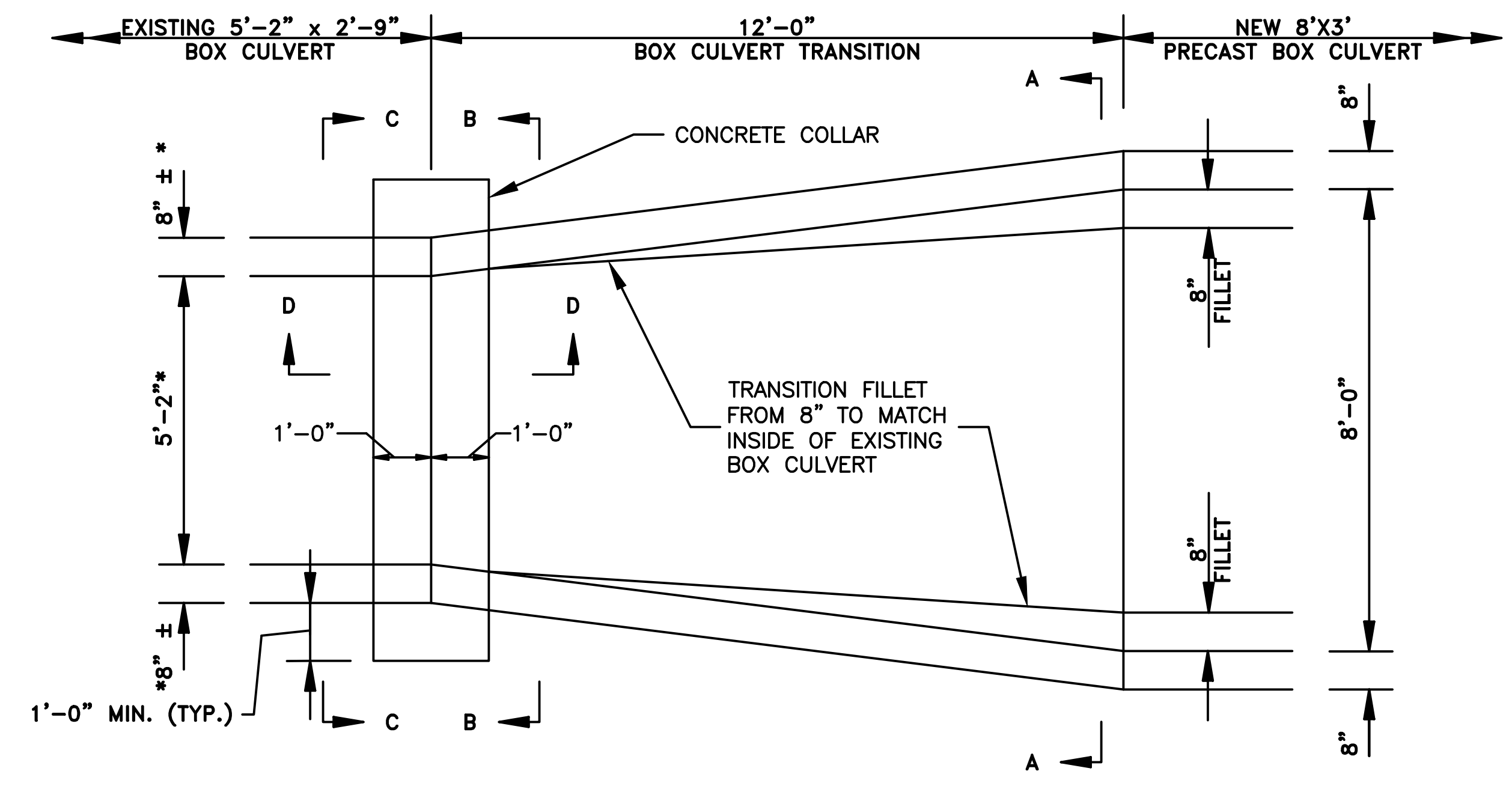
ALLEY TYPICAL SECTION
STA. 11+24.00 TO STA. 13+87.27

REVISIONS	DATE

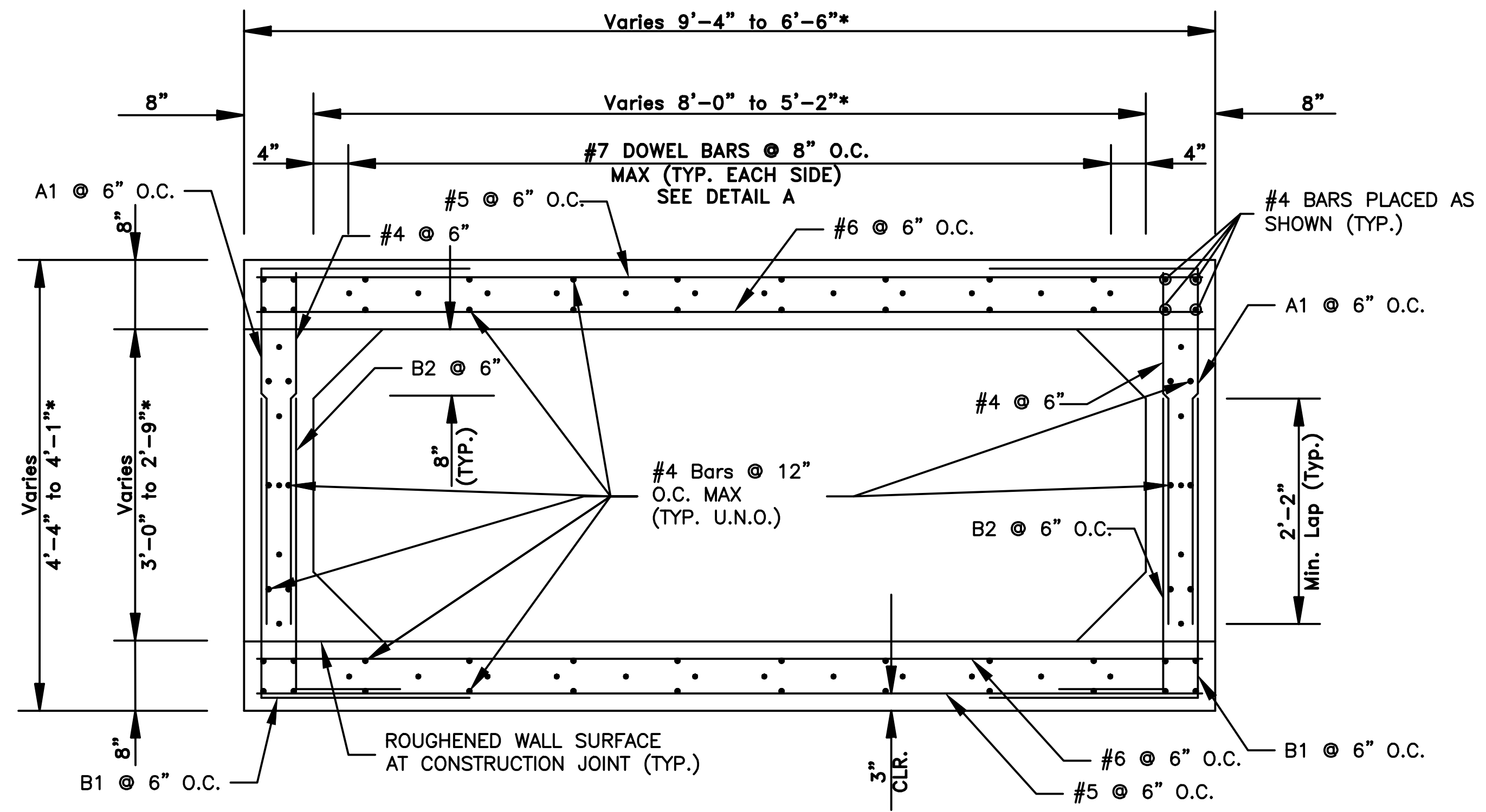
CITY OF LITTLE ROCK, ARKANSAS
 S. VALENTINE STREET DRAINAGE IMPROVEMENTS
 SPECIAL DETAILS

DEPARTMENT OF PUBLIC WORKS
 CIVIL ENGINEERING
 701 W. MARKHAM
 LITTLE ROCK, ARKANSAS 72201

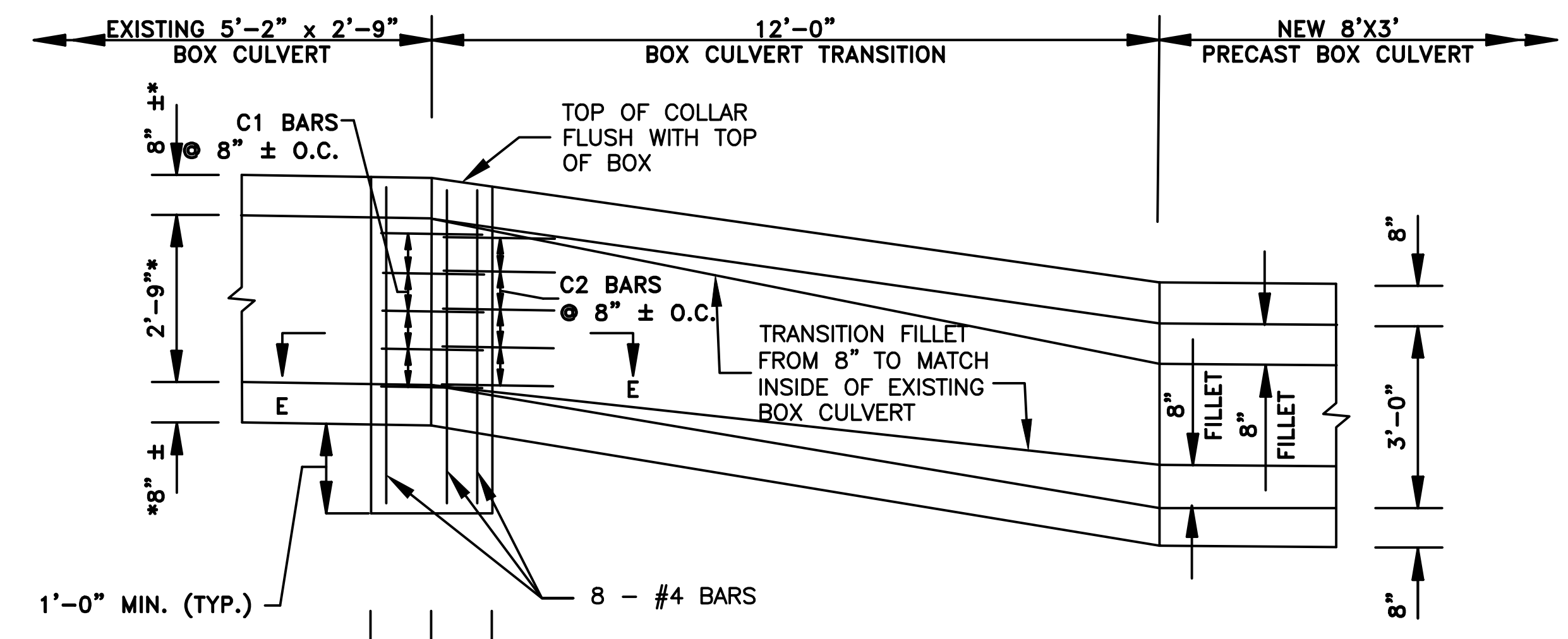
DRAWN BY
 AMW
 DESIGNED
 WMM
 CHECKED
 RCC
 DATE
 8-21-2019
 SCALE
 N.T.S.
 PROJECT NO.
 03-15-DR-95
 SHEET NO.
 C4



PLAN



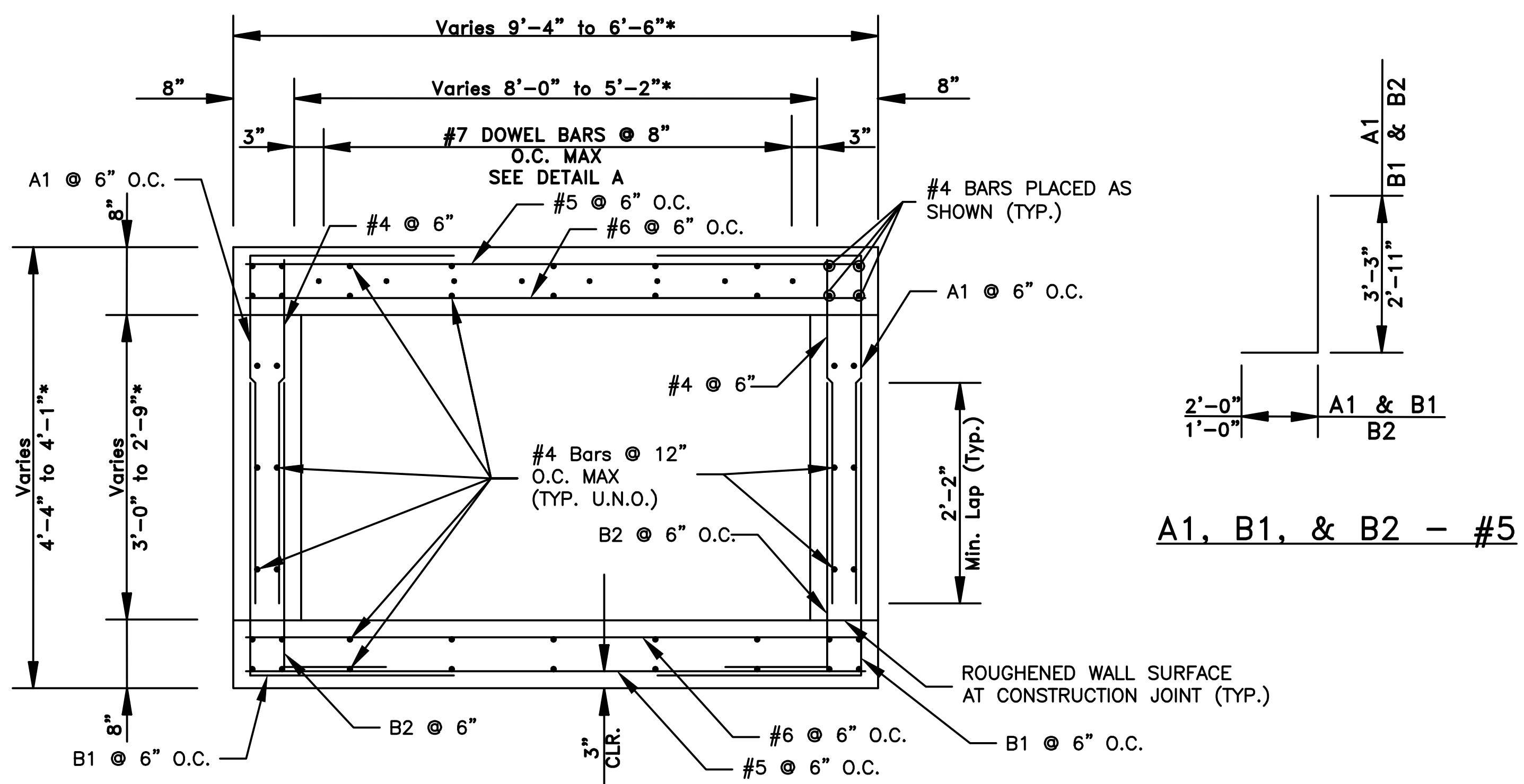
SECTION A-A



ELEVATION

SHOWING DIMENSIONS AND COLLAR REINFORCEMENT

* CONTRACTOR SHALL FIELD VERIFY. NEW BOX CULVERT TRANSITION SHALL MATCH DIMENSIONS OF EXISTING BOX CULVERT



SECTION B-B

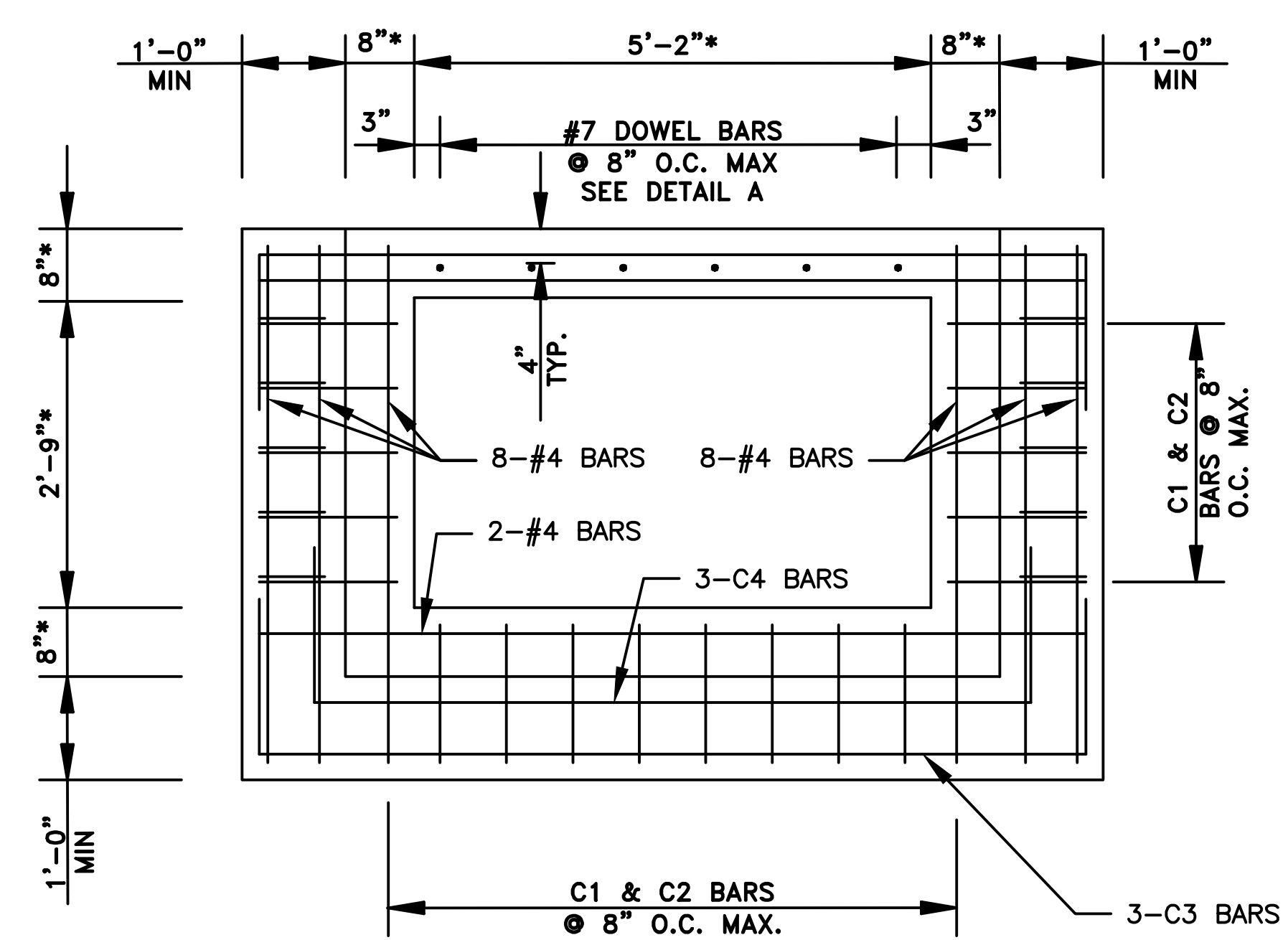
A1, B1, & B2 - #5

REVISIONS	DATE

CITY OF LITTLE ROCK, ARKANSAS
S. VALENTINE STREET DRAINAGE IMPROVEMENTS
SPECIAL DETAILS

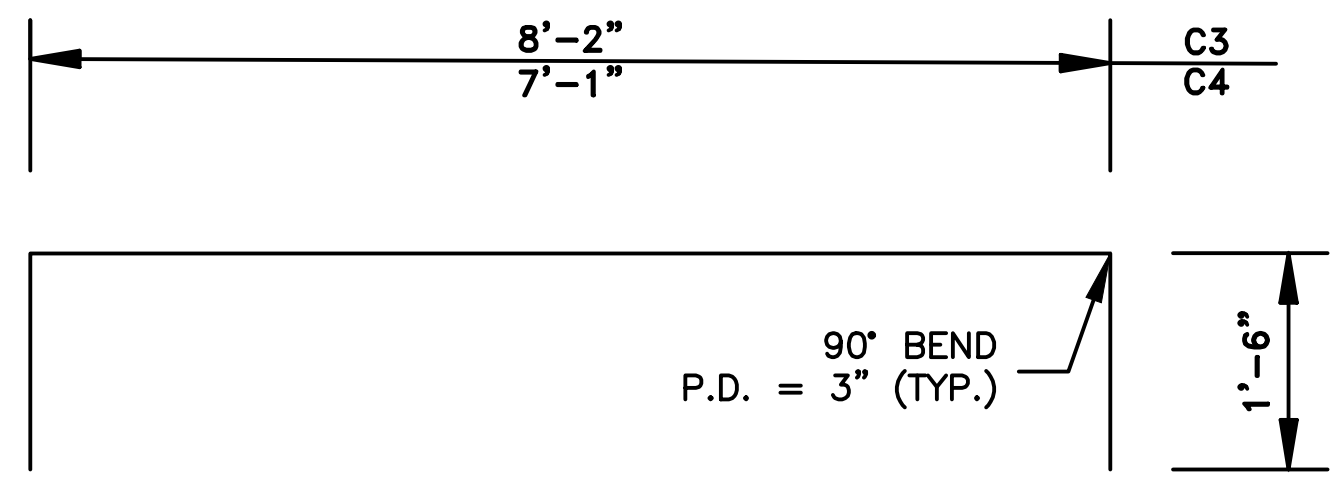
DEPARTMENT OF PUBLIC WORKS
CIVIL ENGINEERING
701 W. MARKHAM
LITTLE ROCK, ARKANSAS 72201

DRAWN BY
AMW
DESIGNED
WMM
CHECKED
RCC
DATE
8-21-2019
SCALE
N.T.S.
PROJECT NO.
03-15-DR-95
SHEET NO.
C5

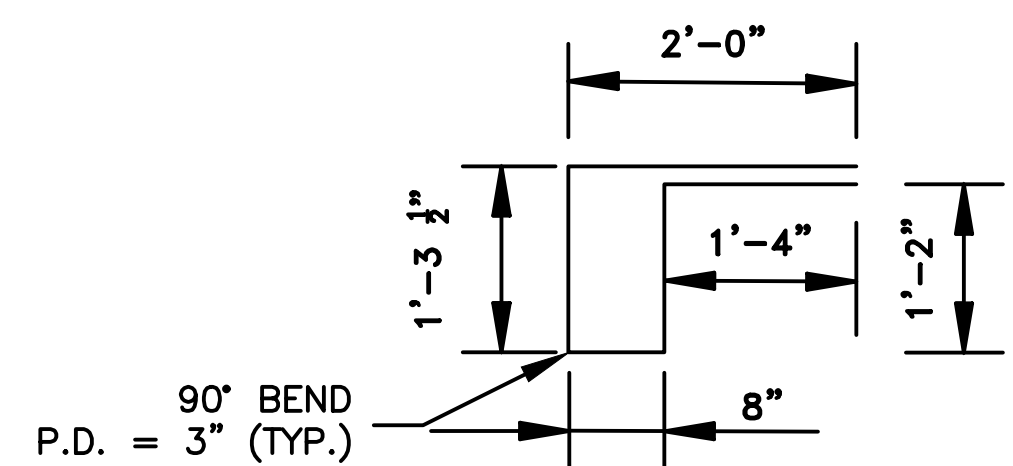


SECTION C-C
SHOWING COLLAR REINFORCEMENT

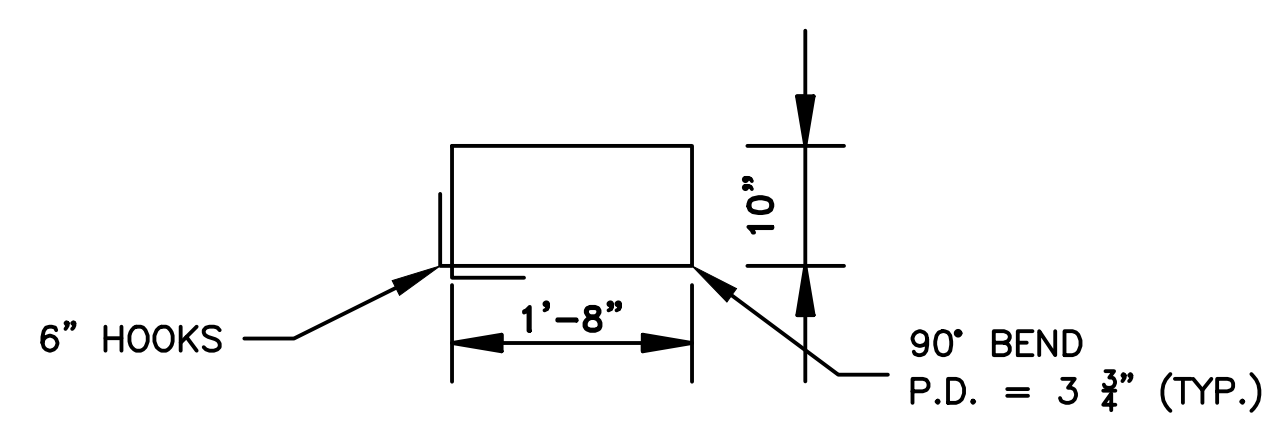
* CONTRACTOR SHALL FIELD VERIFY. NEW BOX CULVERT TRANSITION SHALL MATCH DIMENSIONS OF EXISTING BOX CULVERT



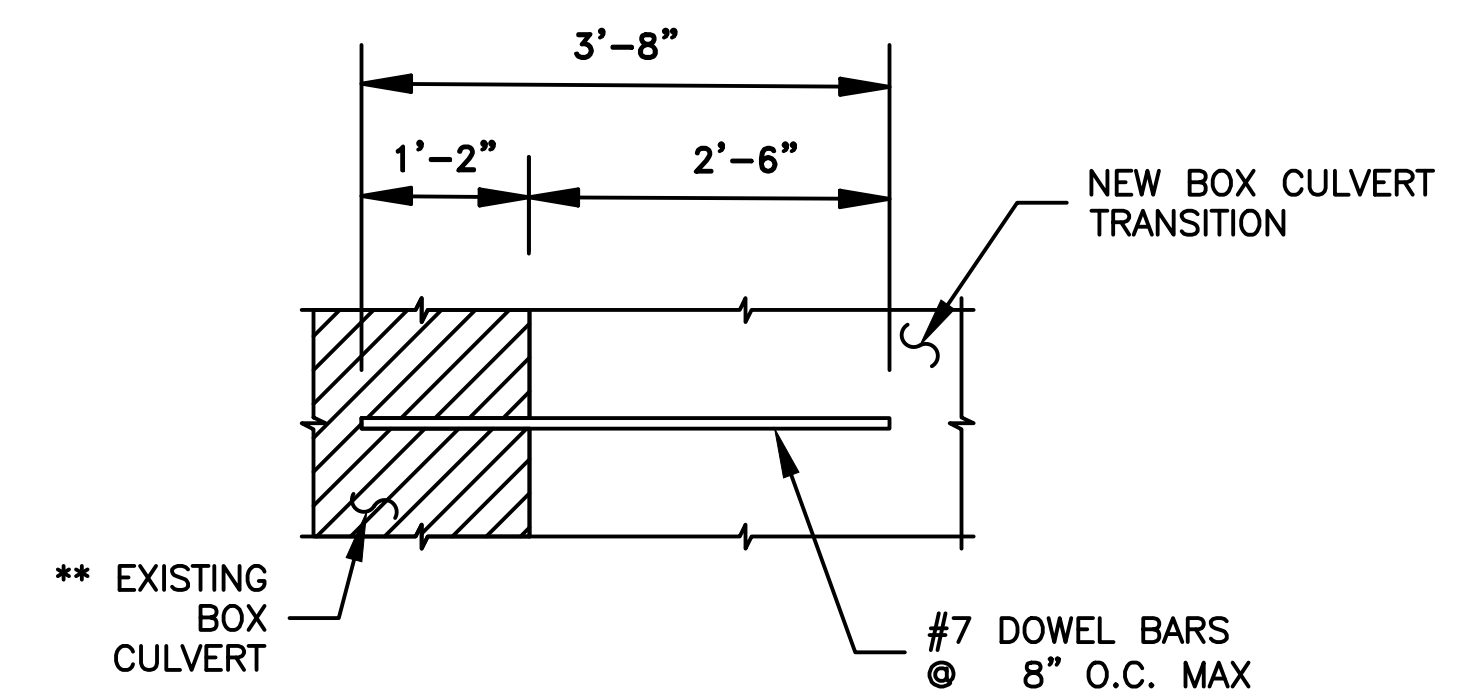
C3 & C4 BARS - #4



C2 BARS - #4



C1 BARS - #5

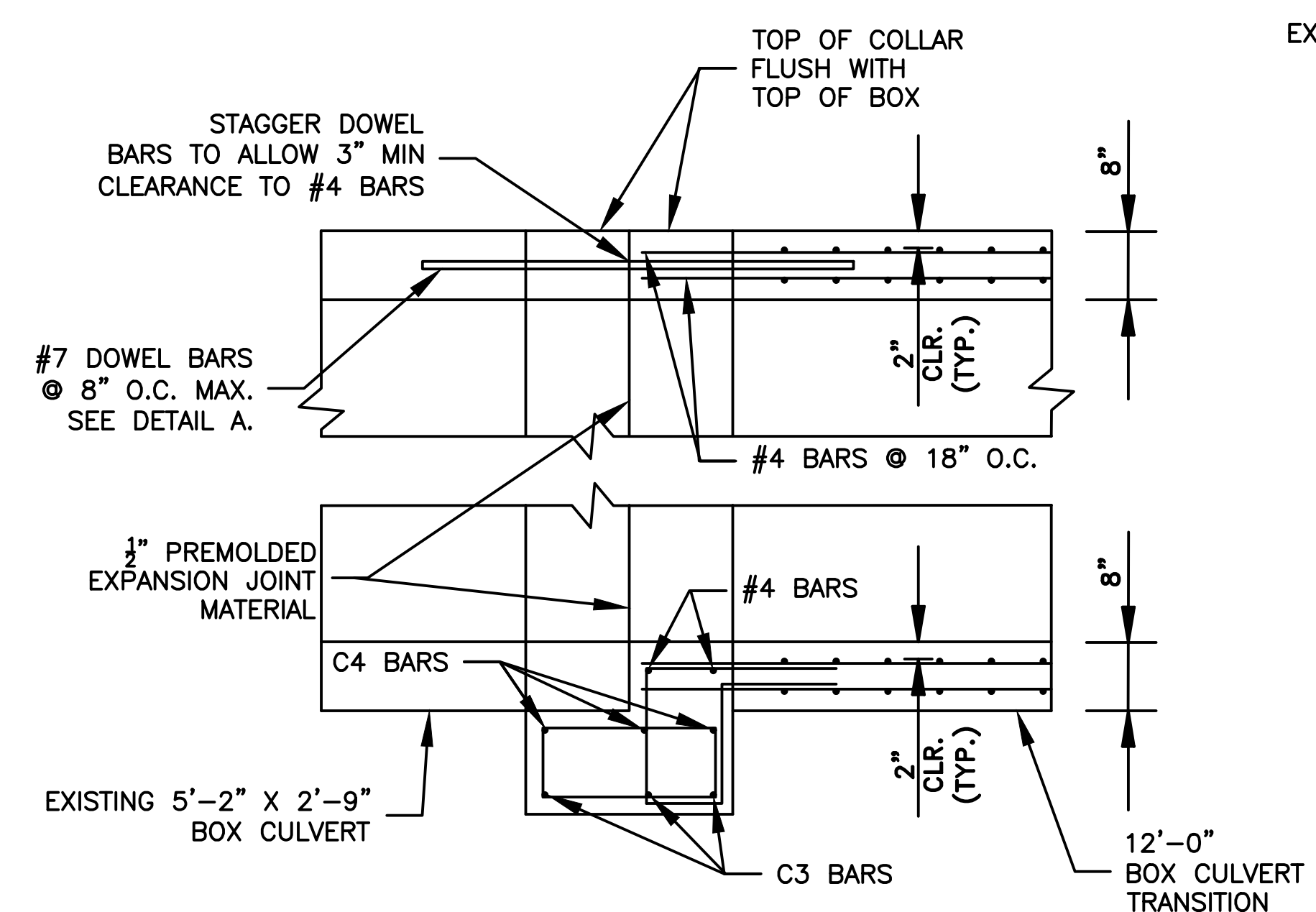


DETAIL A

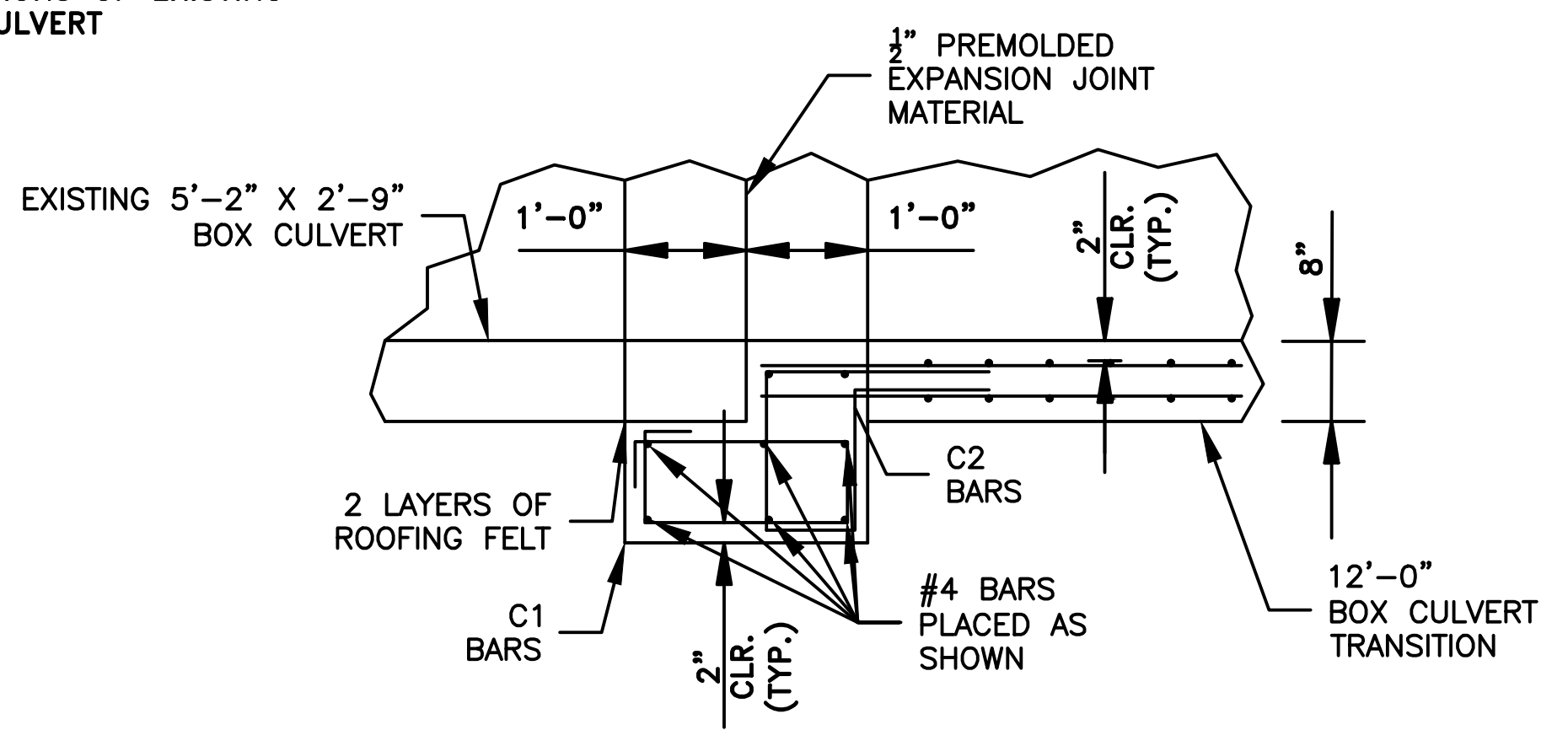
** BARS SHOWN TO BE EMBEDDED INTO EXISTING BOX CULVERT SHALL BE SECURED USING HILTI HIT RE500 EPOXY ANCHOR OR APPROVED EQUAL. ALL BARS SHALL BE EMBEDDED TO DEPTH SHOWN IN DETAIL A IN STRICT ACCORDANCE WITH MANUFACTURER'S INSTRUCTIONS. HOLES FOR EMBEDDED BARS SHALL BE DRILLED 1/4" LARGER IN DIAMETER THAN THE BAR.

GENERAL NOTES:

1. ALL CONSTRUCTION AND MATERIAL REQUIREMENTS SHALL BE IN ACCORDANCE WITH THE CITY OF LITTLE ROCK CONTRACT CONDITIONS AND SPECIFICATIONS.
2. CONCRETE: CONCRETE SHALL BE POURED IN THE DRY AND ALL EXPOSED CORNERS TO BE CHAMFERED 3/4". ALL CONCRETE SHALL BE CLASS S WITH A MINIMUM 28 DAY COMPRESSIVE STRENGTH F'C=3,500 PSI.
3. REINFORCING STEEL: ALL REINFORCING STEEL SHALL CONFORM TO AASHTO M31 OR M53, GRADE 60 AND HAVE A 2" MINIMUM CLEARANCE UNLESS OTHERWISE NOTED ON PLANS.
4. REINFORCING STEEL IN BOTTOM SLAB SHALL BE SUPPORTED ON BAR CHAIRS. CHAIRS SHALL BE SUPPORTED ON TIMBER PLANKS OR CLASS C CONCRETE STRIPS SPACED AT 4.0 FOOT CENTERS. THE TOP CHAIR SUPPORTS SHALL BE AT THE ELEVATION OF THE BOTTOM OF THE FOOTING.
5. REINFORCING STEEL IN THE TOP SLAB SHALL BE SUPPORTED ON SLAB SPACERS.
6. REINFORCING STEEL IN THE WALLS SHALL BE HELD IN PLACE BY METAL CHAIRS. MAXIMUM SPACING OF CHAIRS SHALL BE ON 6.0 FOOT CENTERS.
7. COST OF METAL CHAIRS, WOOD PLANKS OR CONCRETE STRIPS SHALL BE INCLUDED ON OTHER ITEMS OF WORK.
8. EXCAVATION AND BACKFILL REQUIRED TO CONSTRUCT THE BOX CULVERT WILL NOT BE MEASURED FOR SEPARATE PAYMENT, BUT WILL BE CONSIDERED SUBSIDIARY WORK PERTAINING TO THE CONSTRUCTION OF THE BOX CULVERT.

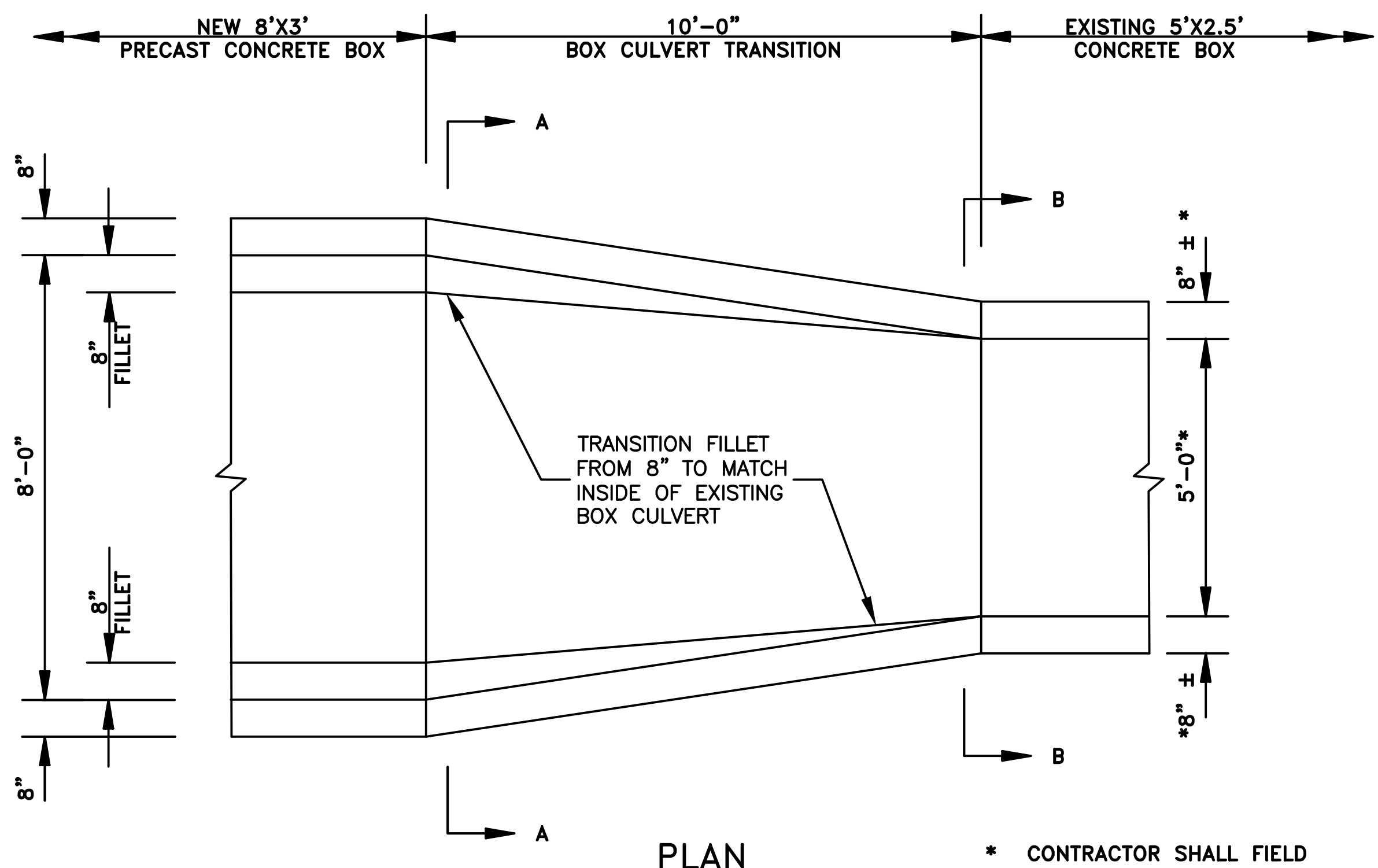


SECTION D-D



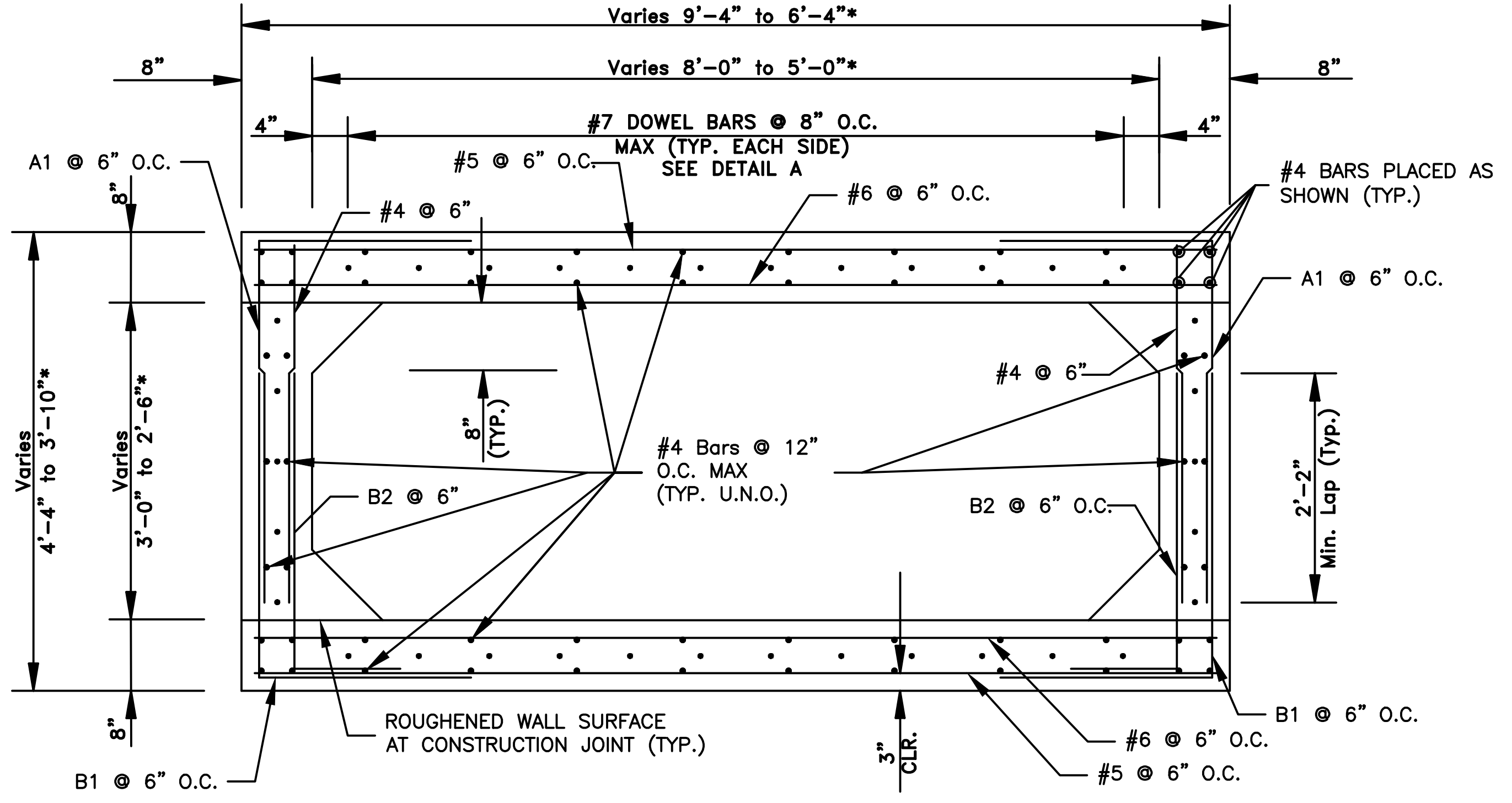
SECTION E-E

REVISIONS	DATE

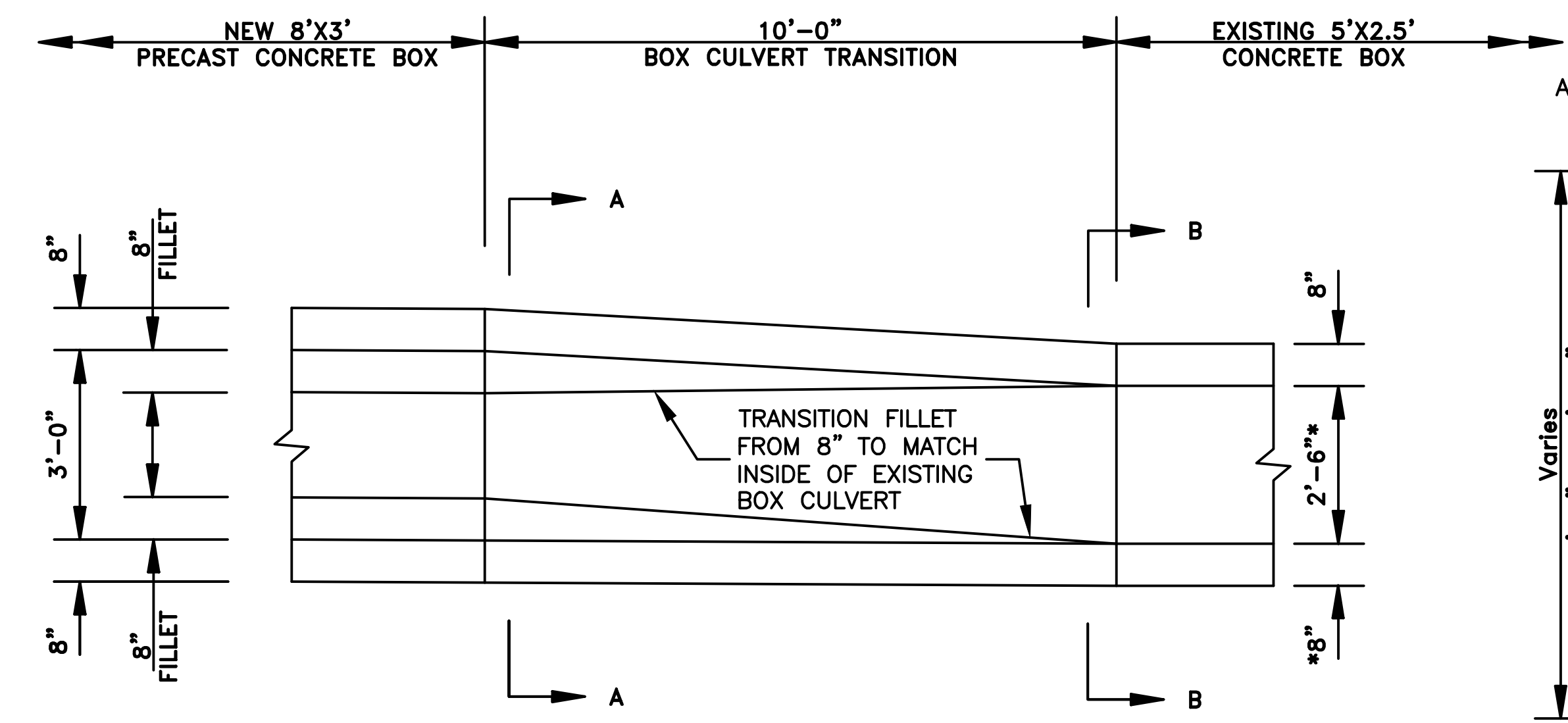


PLAN

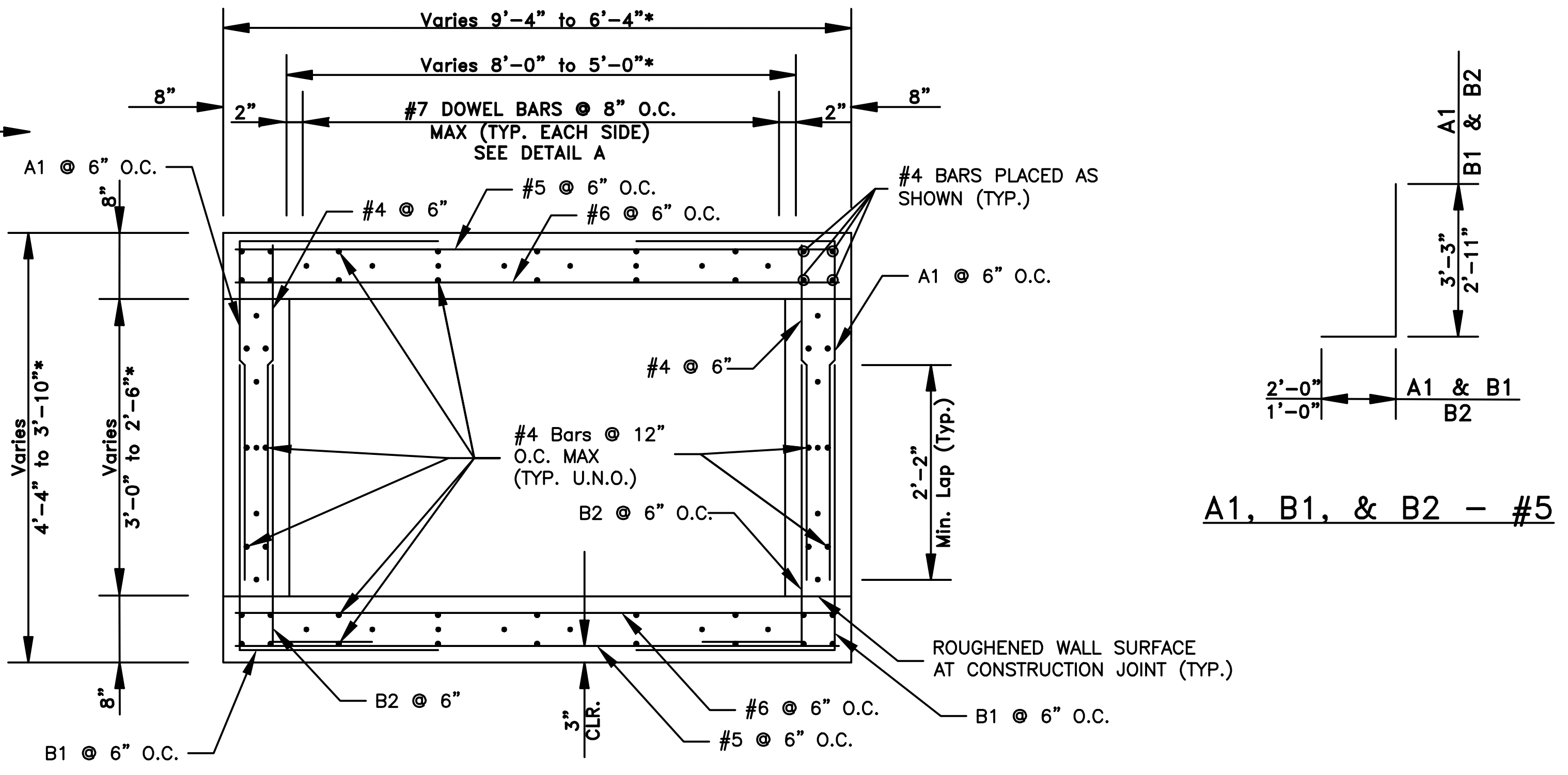
* CONTRACTOR SHALL FIELD VERIFY. NEW BOX CULVERT TRANSITION SHALL MATCH DIMENSIONS OF EXISTING BOX CULVERT



SECTION A-A



ELEVATION

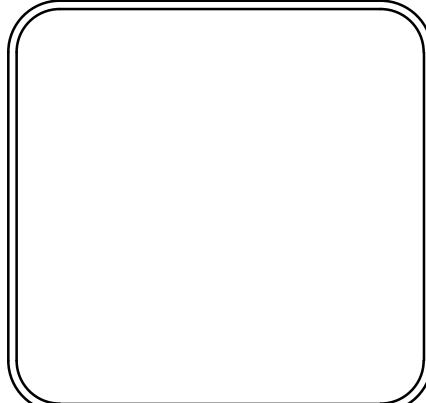


SECTION B-B

A1, B1, & B2 - #5

CITY OF LITTLE ROCK, ARKANSAS
S. VALENTINE STREET DRAINAGE IMPROVEMENTS
 SPECIAL DETAILS

DEPARTMENT OF PUBLIC WORKS
 CIVIL ENGINEERING
 701 W. MARKHAM
 LITTLE ROCK, ARKANSAS 72201

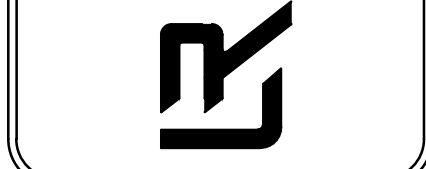


DRAWN BY
 AMW
 DESIGNED
 WMM
 CHECKED
 RCC
 DATE
 8-21-2019
 SCALE
 N.T.S.
 PROJECT NO.
 03-15-DR-95
 SHEET NO.
C6

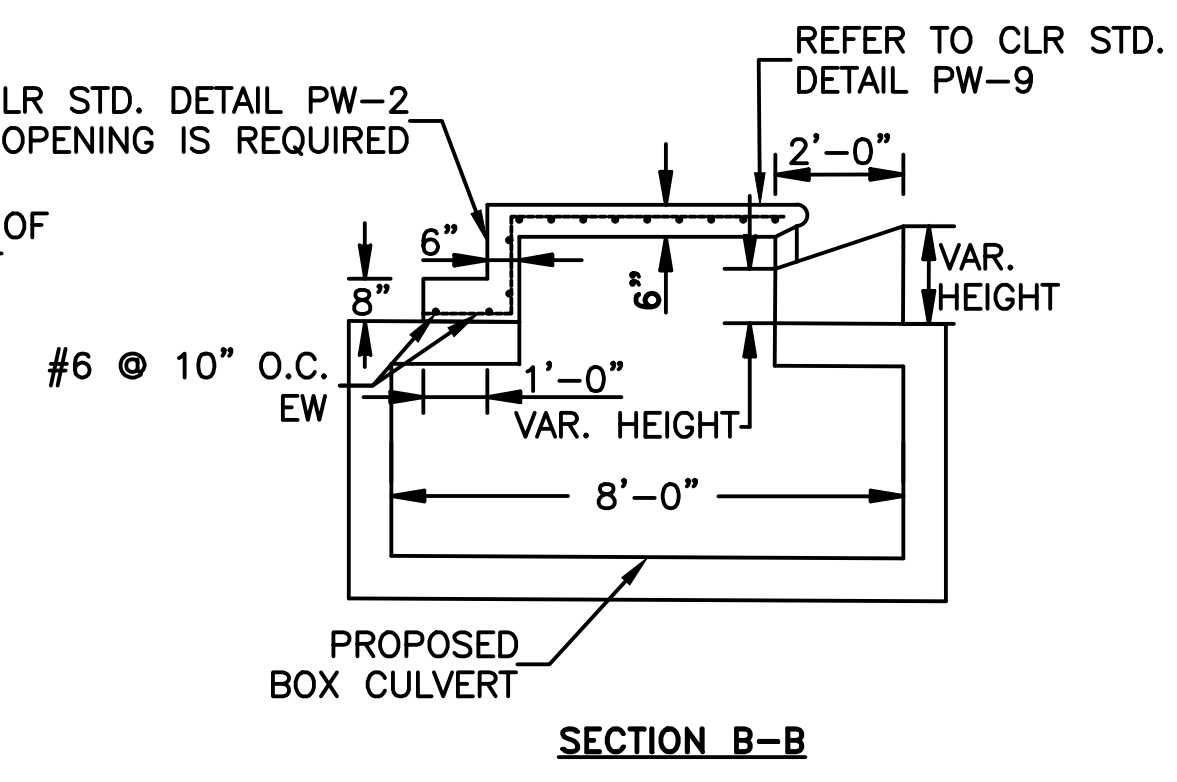
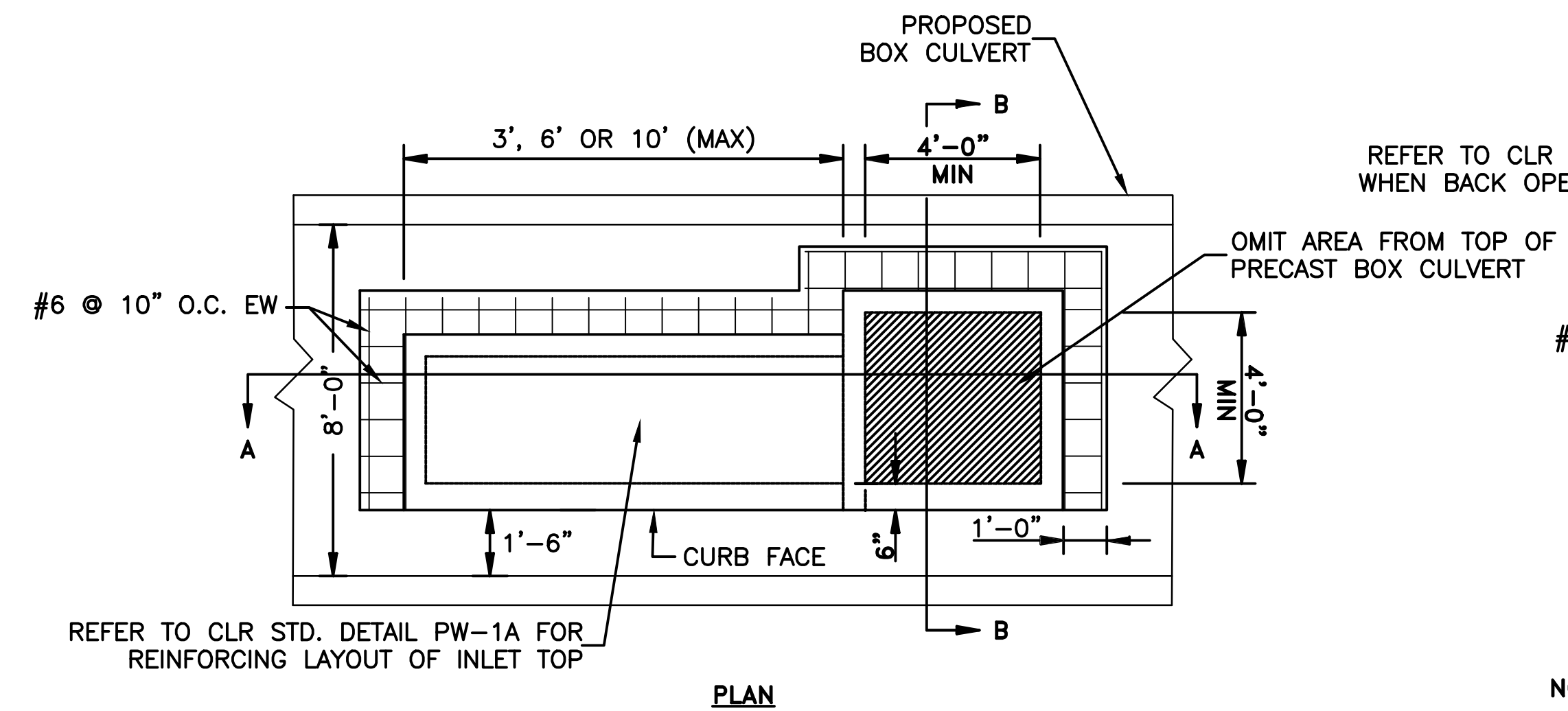
REVISIONS	DATE

CITY OF LITTLE ROCK, ARKANSAS
S. VALENTINE STREET DRAINAGE IMPROVEMENTS
SPECIAL DETAILS

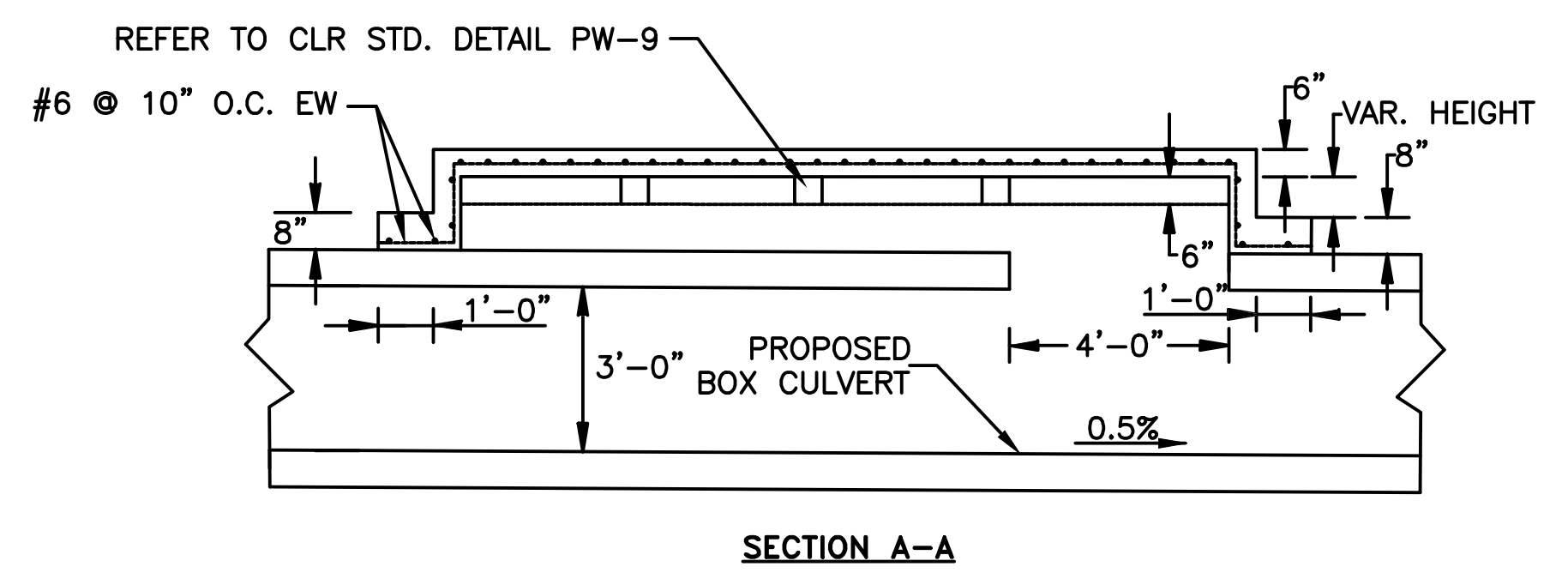
DEPARTMENT OF PUBLIC WORKS
CIVIL ENGINEERING
701 W. MARKHAM
LITTLE ROCK, ARKANSAS 72201



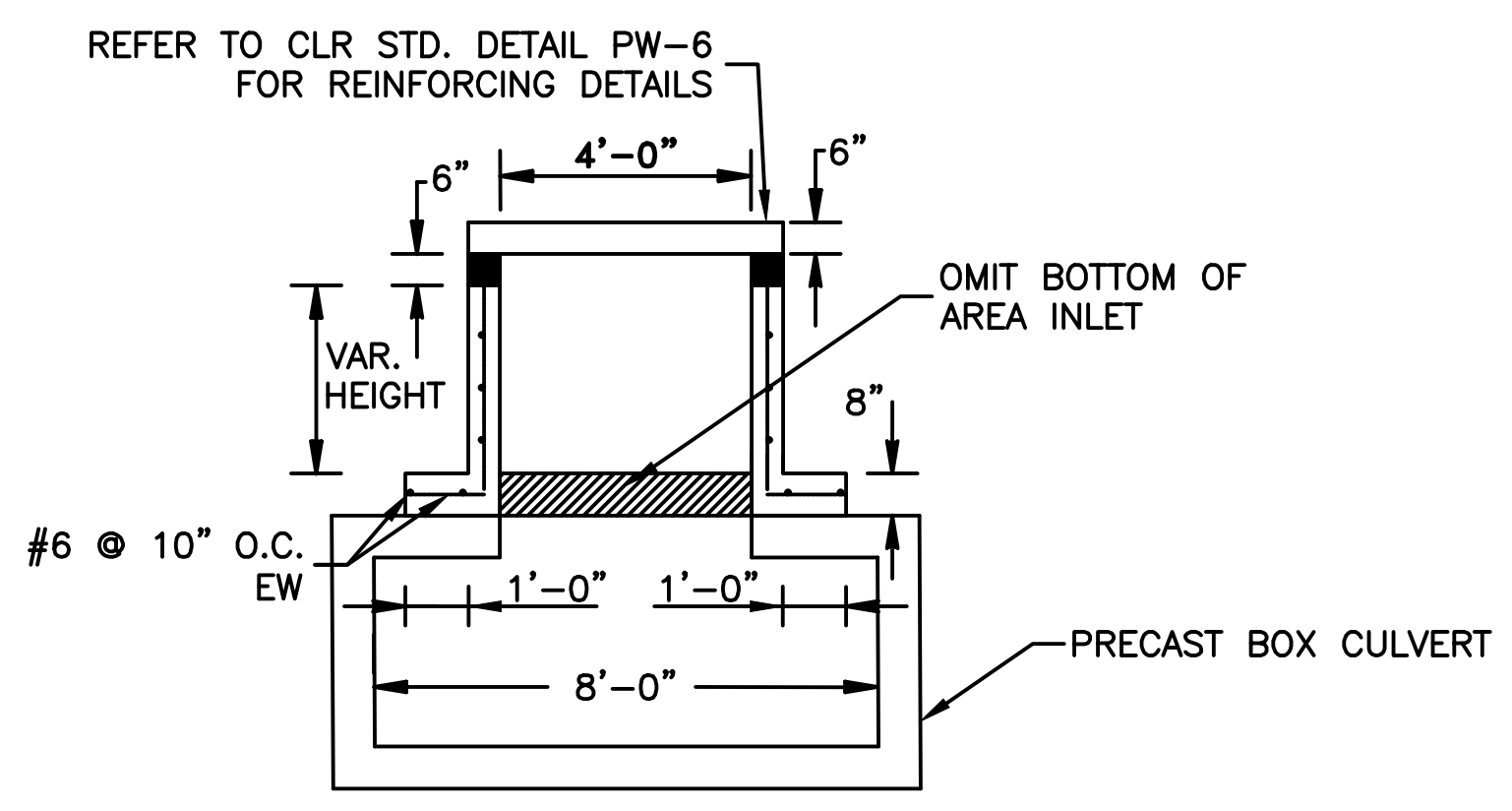
DRAWN BY
MJM
DESIGNED
MJM
CHECKED
RCC
DATE
8-21-2019
SCALE
N.T.S.
PROJECT NO.
03-15-DR-95
SHEET NO.
C7



NOTE:
ALL REINFORCING TO BE PLACED 1-1/2" CLEAR TO THE INSIDE OF STRUCTURE

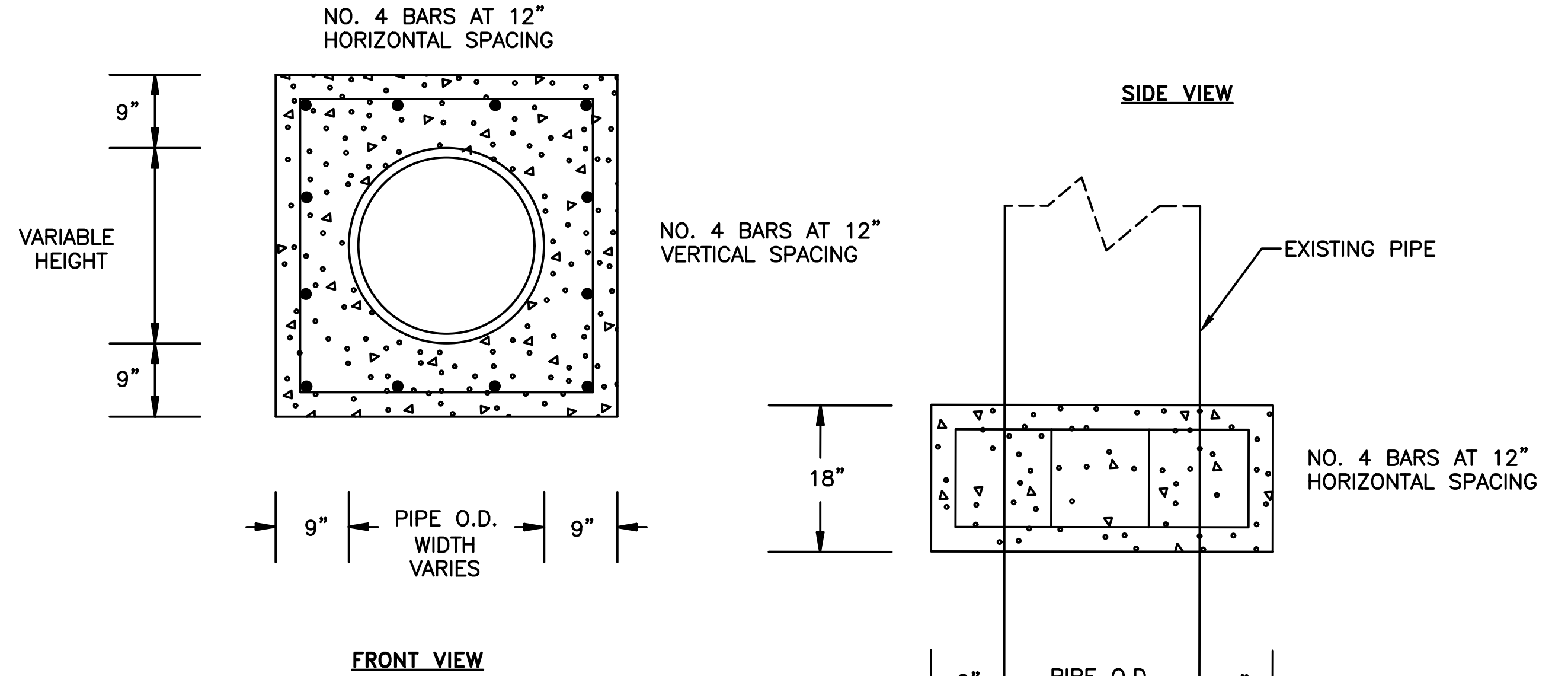


CURB INLET ON TOP OF BOX DETAIL
CI-1, CI-2, CI-3



NOTE:
ALL REINFORCING TO BE PLACED 1-1/2" CLEAR TO THE INSIDE OF STRUCTURE

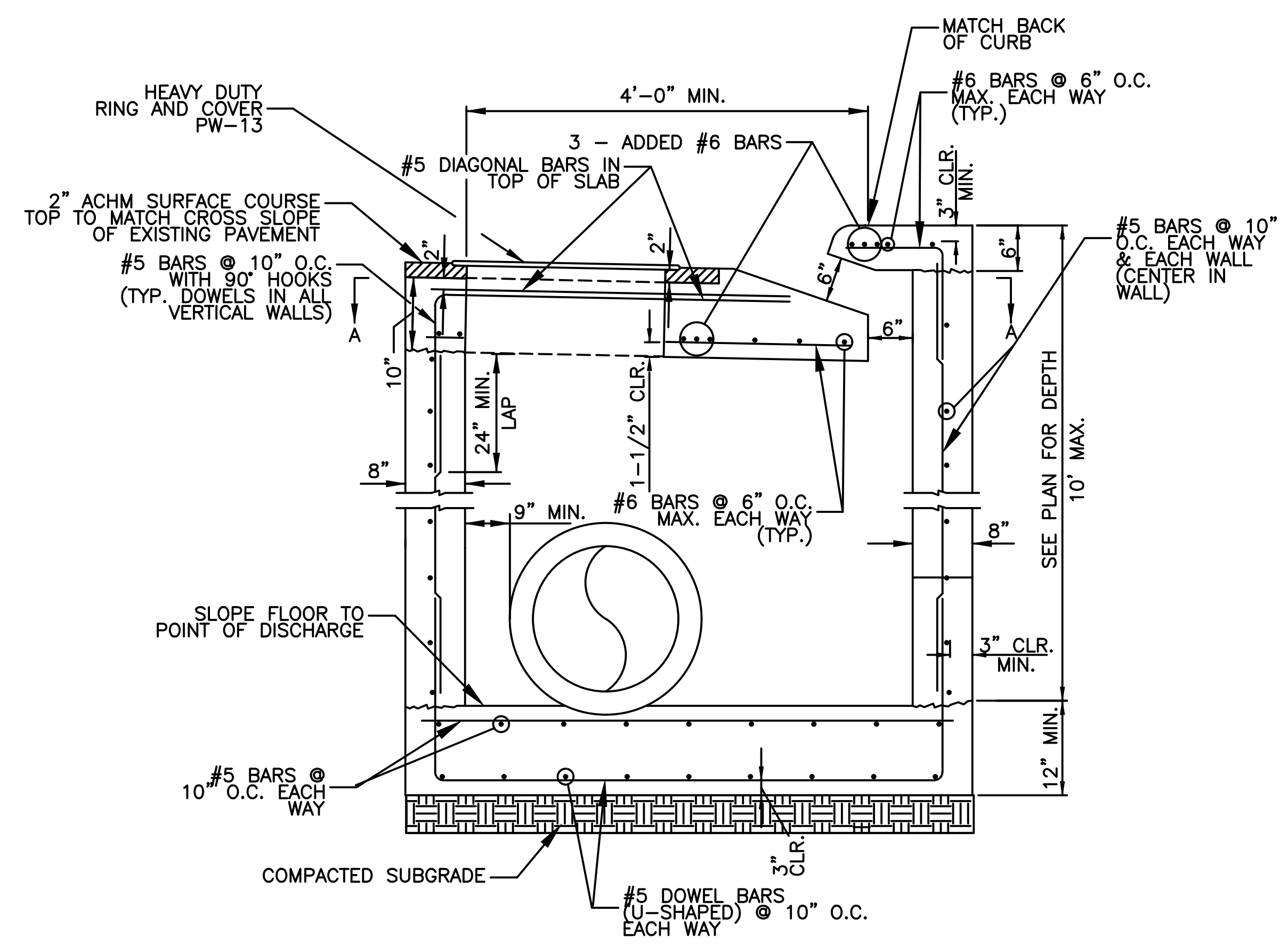
AREA INLET ON TOP OF BOX DETAIL
AI-1



NOTE: REINFORCING STEEL SHALL HAVE MIN. 3" COVER.

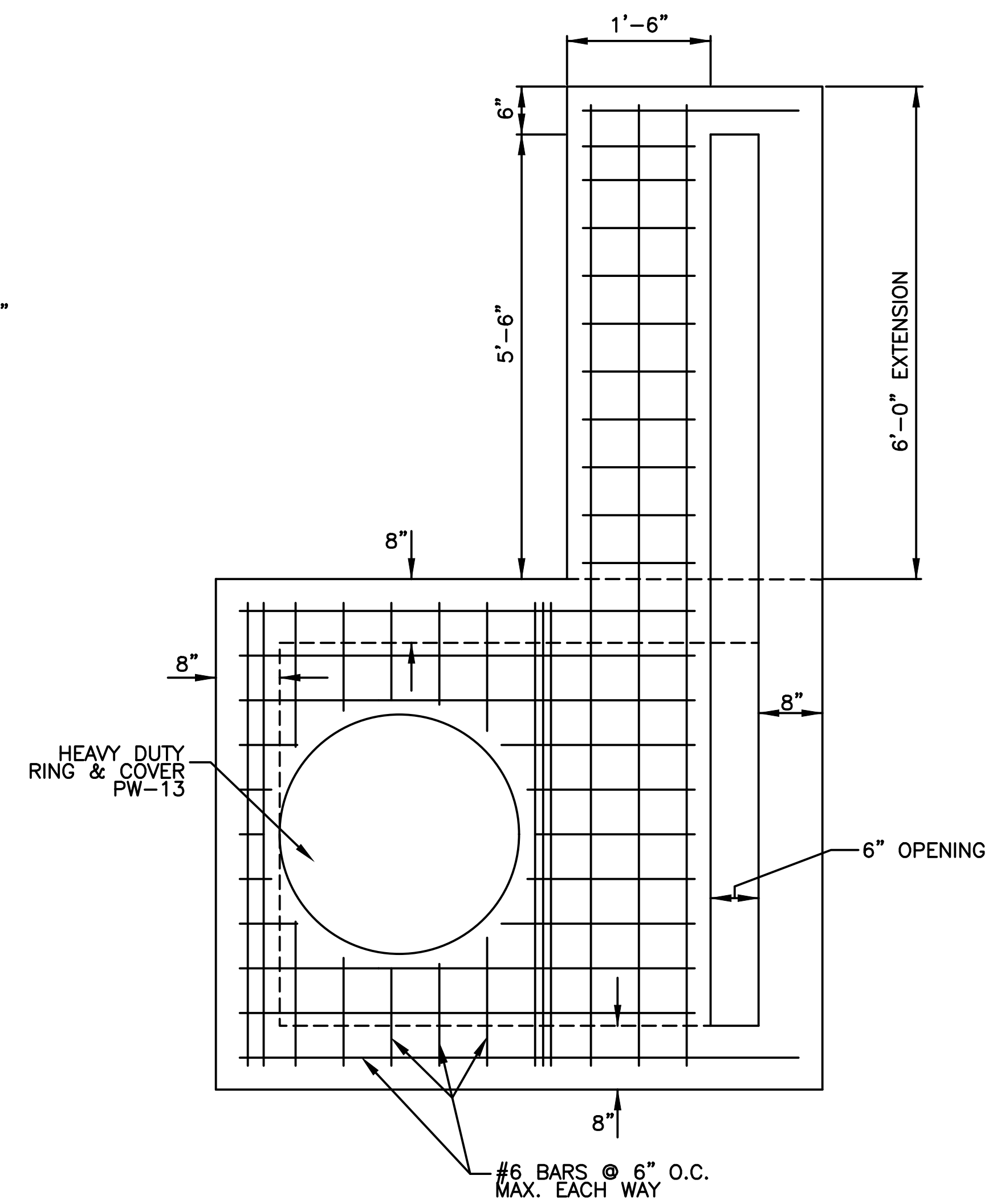
PIPE EXTENSION
REINFORCED CONCRETE COLLAR DETAIL
CC-1

REVISIONS	DATE

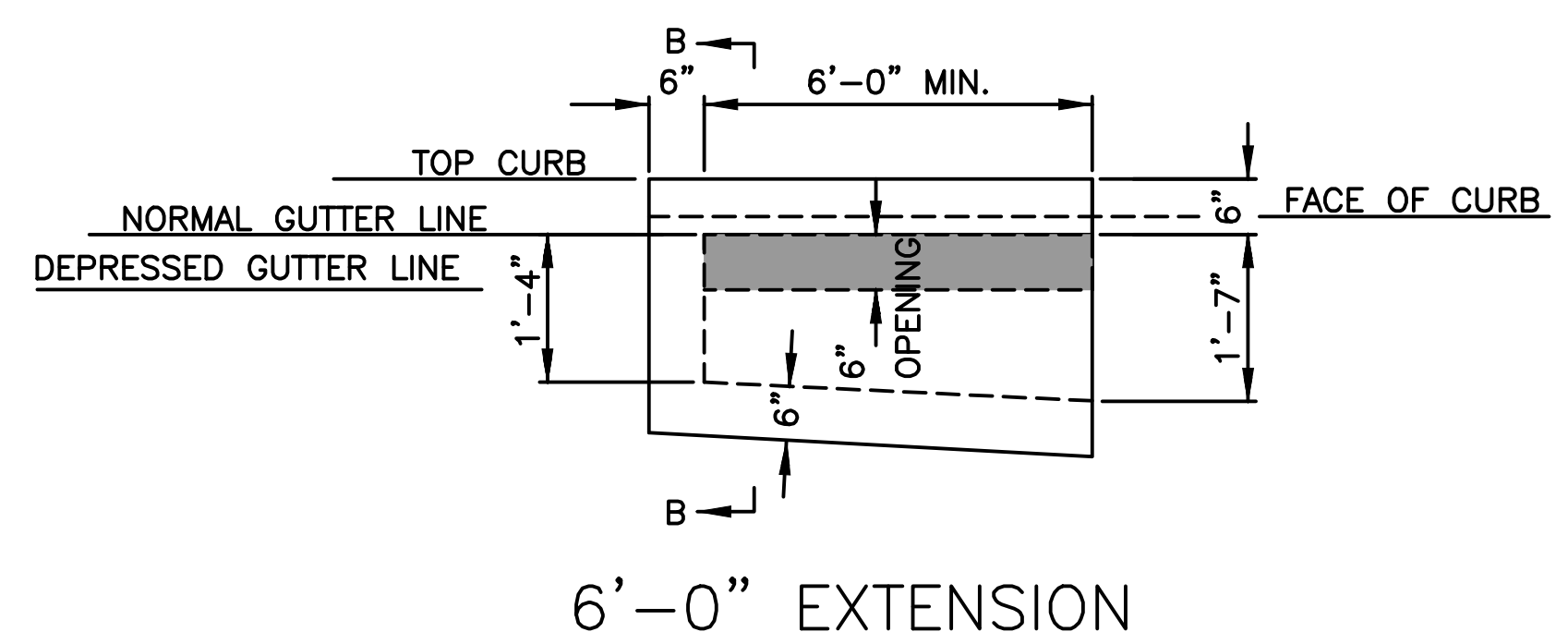


- NOTE:
1. ALL EXPOSED CORNERS SHALL HAVE 3/4" CHAMFER.
 2. ALL REINFORCING BARS SHALL BE GRADE 60.
 3. ALL WORK SHALL COMPLY WITH THE CITY OF LITTLE ROCK CONTRACT CONDITIONS AND SPECIFICATIONS.

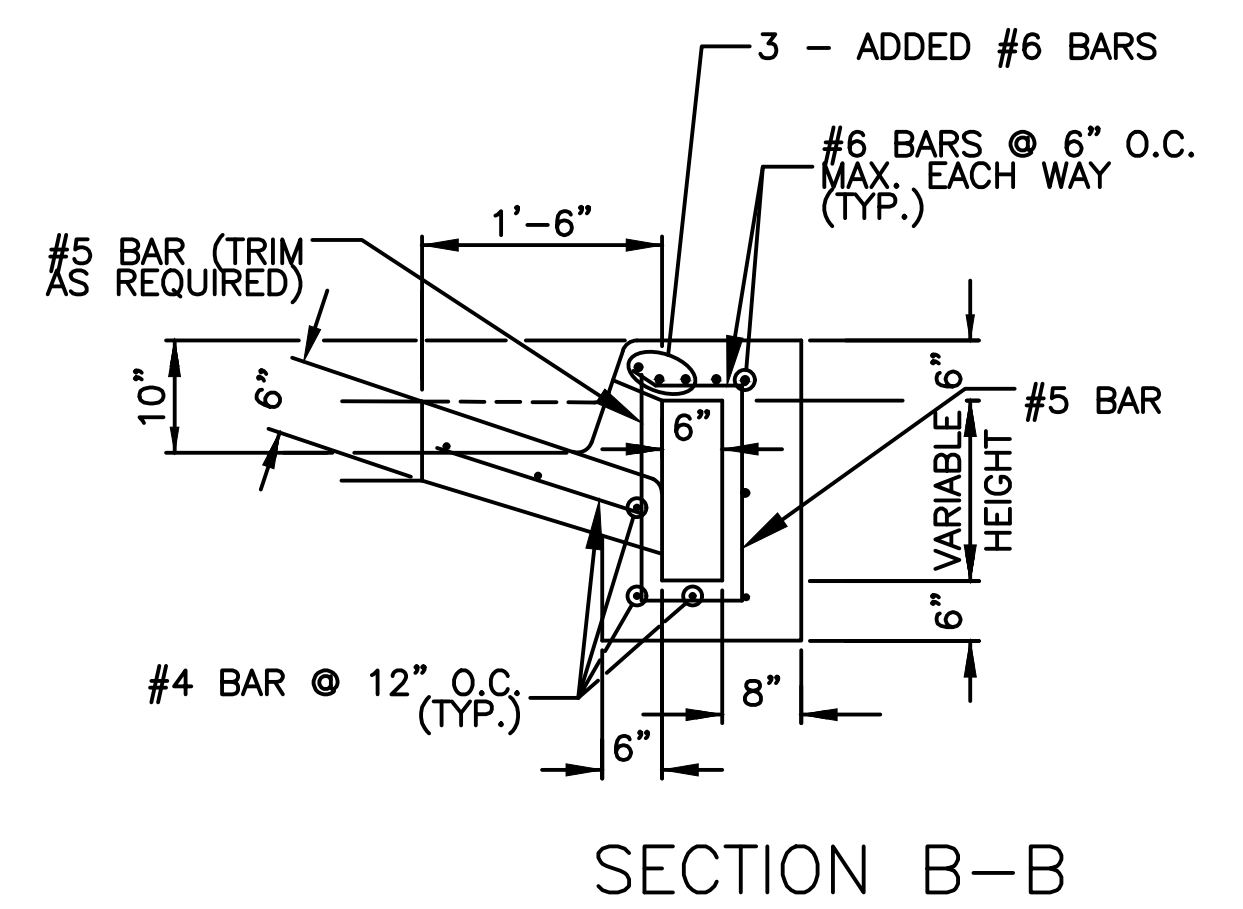
REVERSE THROAT CURB INLET
CI-4



SECTION A-A
(SHOWING BOTTOM MAT OF TOP SLAB)



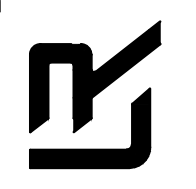
REVERSE THROAT EXTENSION DETAIL
N.T.S.



SECTION B-B

CITY OF LITTLE ROCK, ARKANSAS
S. VALENTINE STREET DRAINAGE IMPROVEMENTS
SPECIAL DETAILS

DEPARTMENT OF PUBLIC WORKS
CIVIL ENGINEERING
701 W. MARKHAM
LITTLE ROCK, ARKANSAS 72201

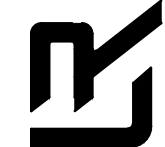
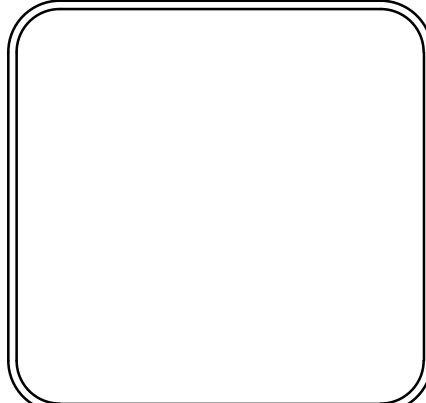


DRAWN BY
AMW
DESIGNED
MJM
CHECKED
RCC
DATE
8-21-2019
SCALE
N.T.S.
PROJECT NO.
03-15-DR-95
SHEET NO.
C8

REVISIONS	DATE

CITY OF LITTLE ROCK, ARKANSAS
S. VALENTINE STREET DRAINAGE IMPROVEMENTS
 FIELD TIES / LAYOUT
 BOP TO EOP

DEPARTMENT OF PUBLIC WORKS
 CIVIL ENGINEERING
 701 W. MARKHAM
 LITTLE ROCK, ARKANSAS 72201

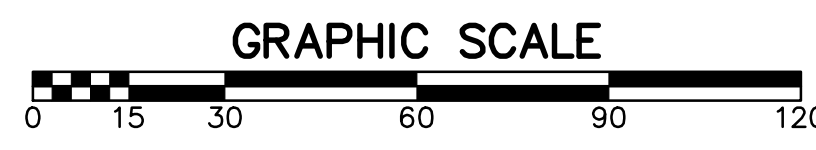
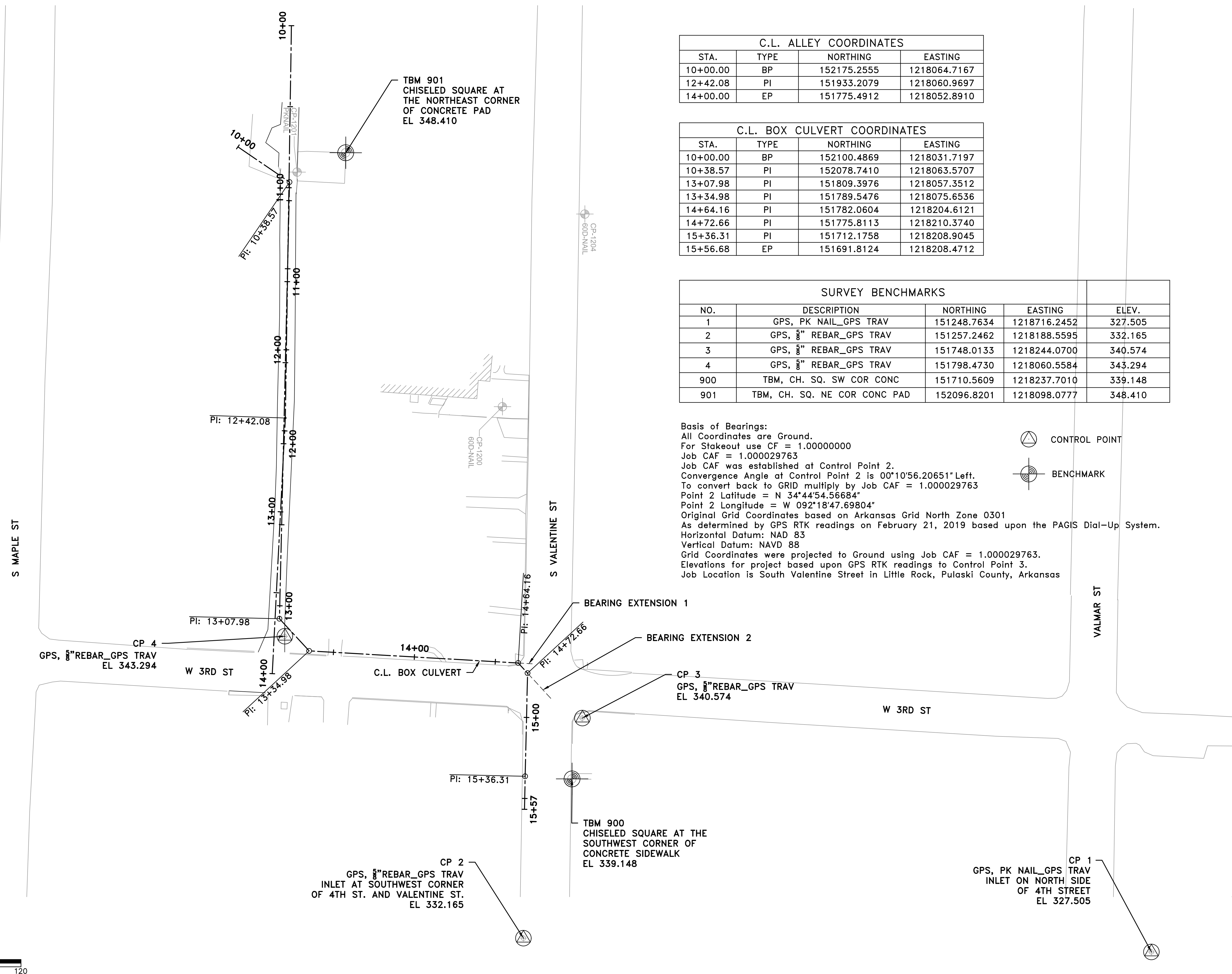
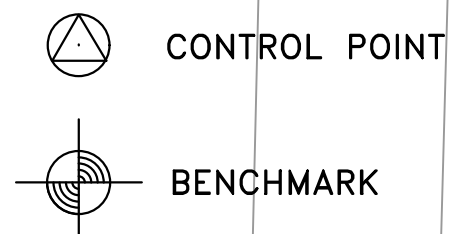
DRAWN BY
MJM
DESIGNED
MJM
CHECKED
RCC
DATE
8-21-2019
SCALE
H: 1"=30'
PROJECT NO.
03-15-DR-95
SHEET NO.
C9

C.L. ALLEY COORDINATES			
STA.	TYPE	NORTHING	EASTING
10+00.00	BP	152175.2555	1218064.7167
12+42.08	PI	151933.2079	1218060.9697
14+00.00	EP	151775.4912	1218052.8910

C.L. BOX CULVERT COORDINATES			
STA.	TYPE	NORTHING	EASTING
10+00.00	BP	152100.4869	1218031.7197
10+38.57	PI	152078.7410	1218063.5707
13+07.98	PI	151809.3976	1218057.3512
13+34.98	PI	151789.5476	1218075.6536
14+64.16	PI	151782.0604	1218204.6121
14+72.66	PI	151775.8113	1218210.3740
15+36.31	PI	151712.1758	1218208.9045
15+56.68	EP	151691.8124	1218208.4712

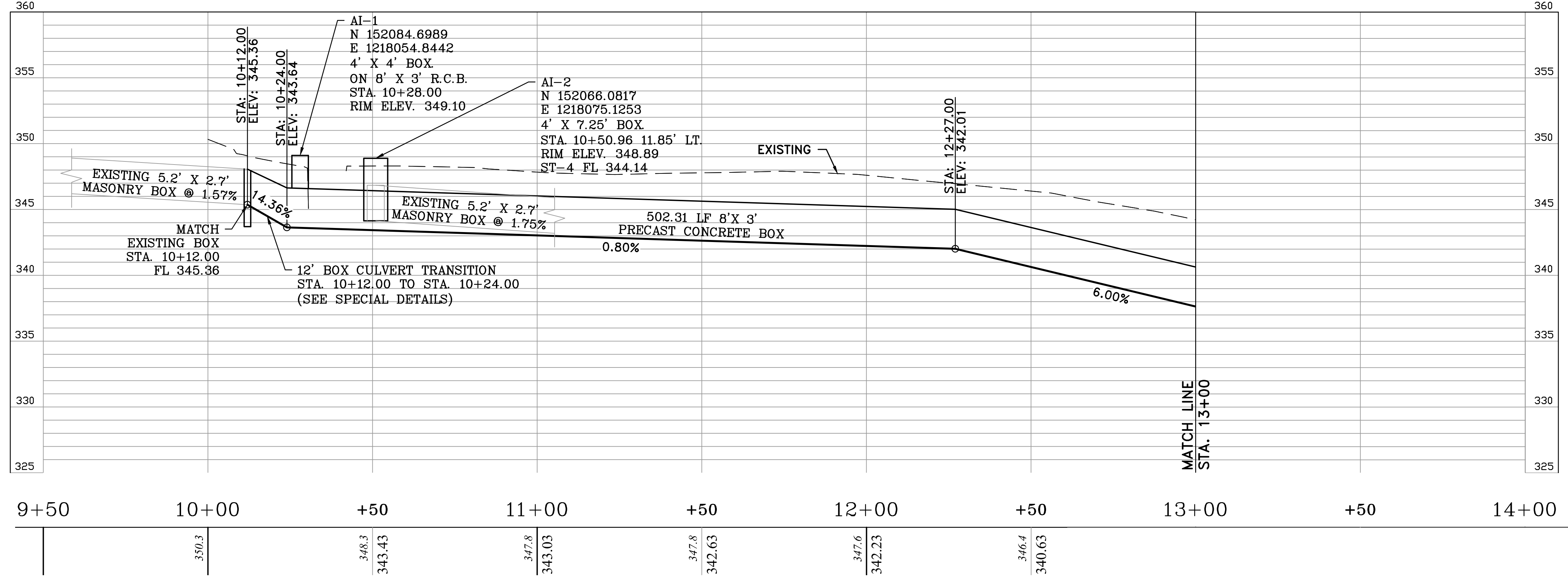
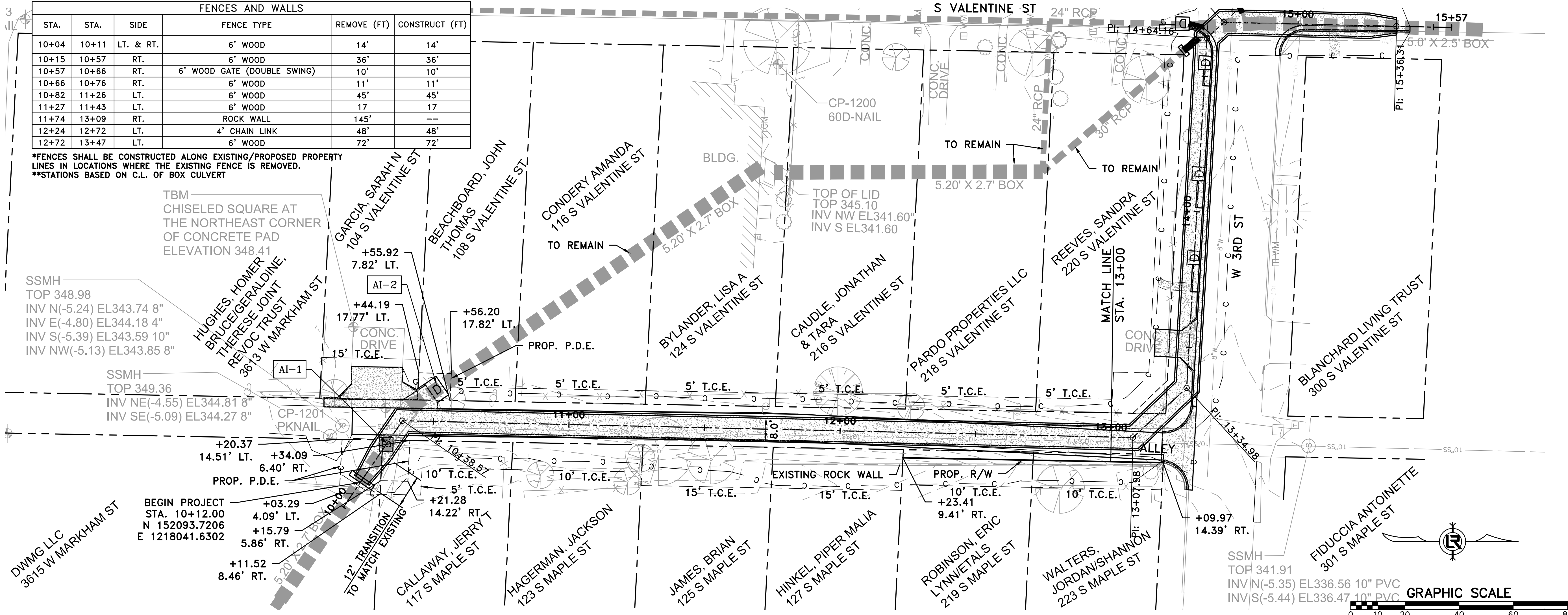
SURVEY BENCHMARKS				
NO.	DESCRIPTION	NORTHING	EASTING	ELEV.
1	GPS, PK NAIL_GPS TRAV	151248.7634	1218716.2452	327.505
2	GPS, 5/8" REBAR_GPS TRAV	151257.2462	1218188.5595	332.165
3	GPS, 5/8" REBAR_GPS TRAV	151748.0133	1218244.0700	340.574
4	GPS, 5/8" REBAR_GPS TRAV	151798.4730	1218060.5584	343.294
900	TBM, CH. SQ. SW COR CONC	151710.5609	1218237.7010	339.148
901	TBM, CH. SQ. NE COR CONC PAD	152096.8201	1218098.0777	348.410

Basis of Bearings:
 All Coordinates are Ground.
 For Stakeout use CF = 1.000000000
 Job CAF = 1.000029763
 Job CAF was established at Control Point 2.
 Convergence Angle at Control Point 2 is 00°10'56.20651" Left.
 To convert back to GRID multiply by Job CAF = 1.000029763
 Point 2 Latitude = N 34°44'54.56684"
 Point 2 Longitude = W 092°18'47.69804"
 Original Grid Coordinates based on Arkansas Grid North Zone 0301
 As determined by GPS RTK readings on February 21, 2019 based upon the PAGIS Dial-Up System.
 Horizontal Datum: NAD 83
 Vertical Datum: NAVD 88
 Grid Coordinates were projected to Ground using Job CAF = 1.000029763.
 Elevations for project based upon GPS RTK readings to Control Point 3.
 Job Location is South Valentine Street in Little Rock, Pulaski County, Arkansas



FENCES AND WALLS					
STA.	STA.	SIDE	FENCE TYPE	REMOVE (FT)	CONSTRUCT (FT)
10+04	10+11	LT. & RT.	6' WOOD	14'	14'
10+15	10+57	RT.	6' WOOD	36'	36'
10+57	10+66	RT.	6' WOOD GATE (DOUBLE SWING)	10'	10'
10+66	10+76	RT.	6' WOOD	11'	11'
10+82	11+26	LT.	6' WOOD	45'	45'
11+27	11+43	LT.	6' WOOD	17'	17'
11+74	13+09	RT.	ROCK WALL	145'	--
12+24	12+72	LT.	4' CHAIN LINK	48'	48'
12+72	13+47	LT.	6' WOOD	72'	72'

*FENCES SHALL BE CONSTRUCTED ALONG EXISTING/PROPOSED PROPERTY LINES IN LOCATIONS WHERE THE EXISTING FENCE IS REMOVED.
 **STATIONS BASED ON C.L. OF BOX CULVERT

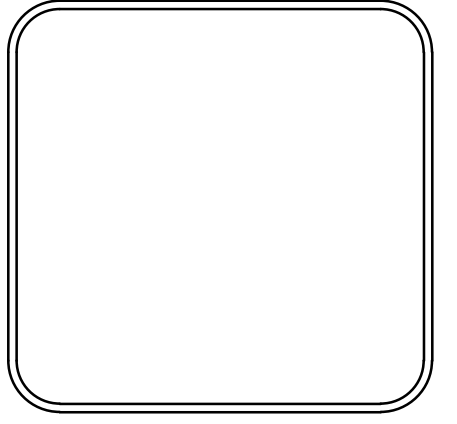


ALIGNMENT - BOX CULVERT

REVISIONS	DATE

CITY OF LITTLE ROCK, ARKANSAS
 S. VALENTINE STREET DRAINAGE IMPROVEMENTS
 BOX CULVERT 1
 PLAN & PROFILE - STA 10+00 TO 13+00

DEPARTMENT OF PUBLIC WORKS
 CIVIL ENGINEERING
 701 W. MARKHAM
 LITTLE ROCK, ARKANSAS 72201



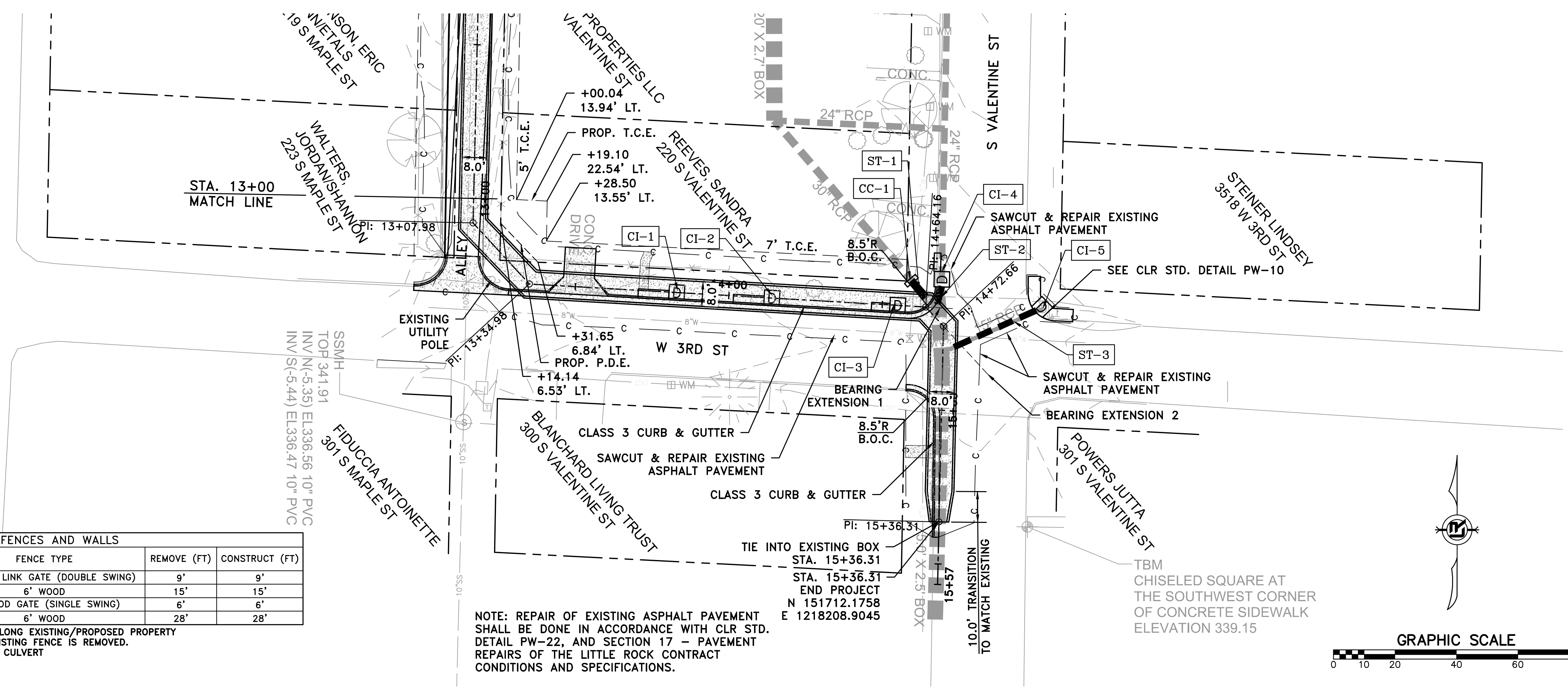
DRAWN BY
 MJM
 DESIGNED
 MJM
 CHECKED
 RCC
 DATE
 8-21-2019
 SCALE
 H: 1"=20'
 V: 1"=5'
 PROJECT NO.
 03-15-DR-95
 SHEET NO.
 C10

REVISIONS	DATE

CITY OF LITTLE ROCK, ARKANSAS
S. VALENTINE STREET DRAINAGE IMPROVEMENTS
 BOX CULVERT 1
 PLAN & PROFILE - STA 10+00 TO 12+50

DEPARTMENT OF PUBLIC WORKS
 CIVIL ENGINEERING
 701 W. MARKHAM
 LITTLE ROCK, ARKANSAS 72201

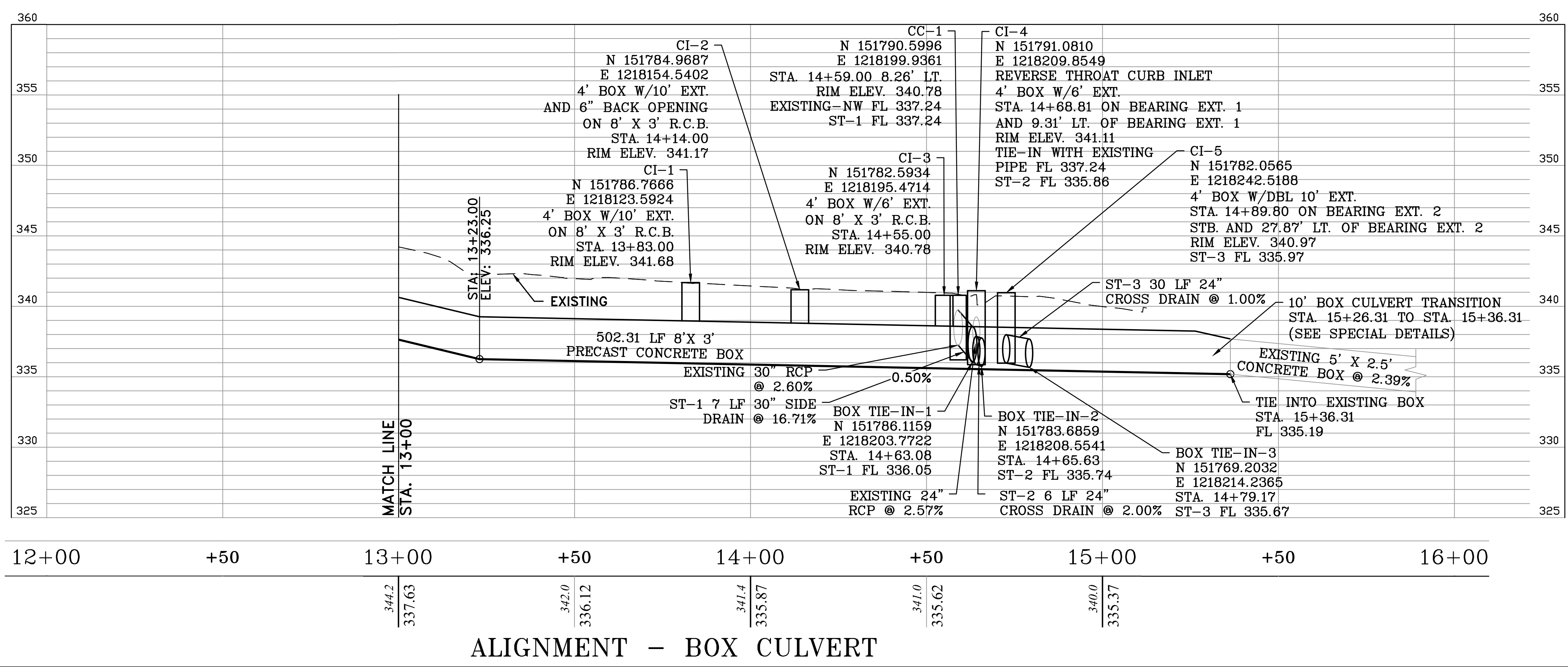
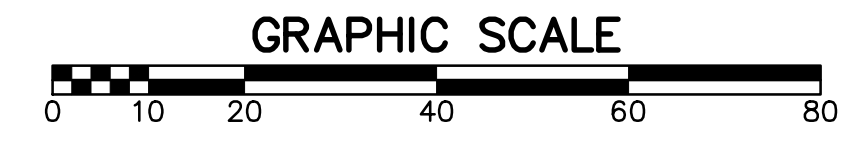
DRAWN BY
 M/JM
 DESIGNED
 M/JM
 CHECKED
 RCC
 DATE
 8-21-2019
 SCALE
 H: 1"=20'
 V: 1"=5'
 PROJECT NO.
 03-15-DR-95
 SHEET NO.
C11



FENCES AND WALLS					
STA.	STA.	SIDE	FENCE TYPE	REMOVE (FT)	CONSTRUCT (FT)
13+47	13+55	LT.	4' CHAIN LINK GATE (DOUBLE SWING)	9'	9'
13+55	13+70	LT.	6' WOOD	15'	15'
13+70	13+76	LT.	6' WOOD GATE (SINGLE SWING)	6'	6'
13+76	14+00	LT.	6' WOOD	28'	28'

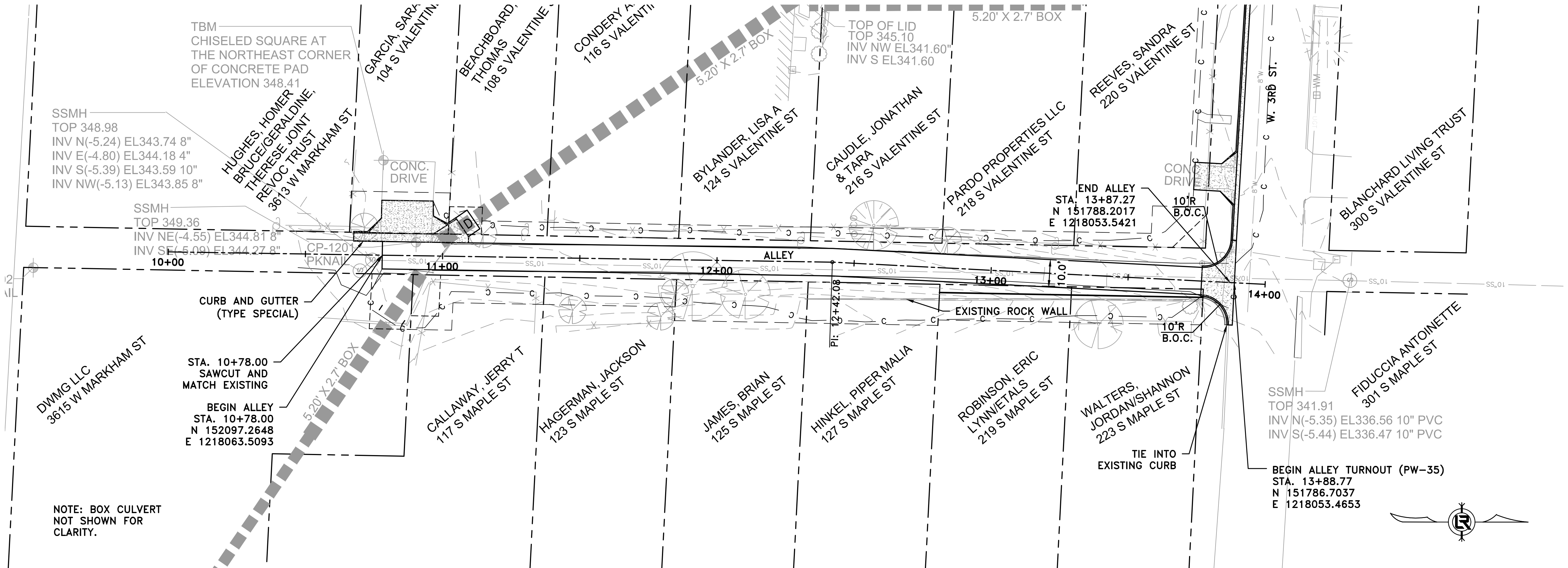
*FENCES SHALL BE CONSTRUCTED ALONG EXISTING/PROPOSED PROPERTY LINES IN LOCATIONS WHERE THE EXISTING FENCE IS REMOVED.
 **STATIONS BASED ON C.L. OF BOX CULVERT

NOTE: REPAIR OF EXISTING ASPHALT PAVEMENT SHALL BE DONE IN ACCORDANCE WITH CLR STD. DETAIL PW-22, AND SECTION 17 - PAVEMENT REPAIRS OF THE LITTLE ROCK CONTRACT CONDITIONS AND SPECIFICATIONS.

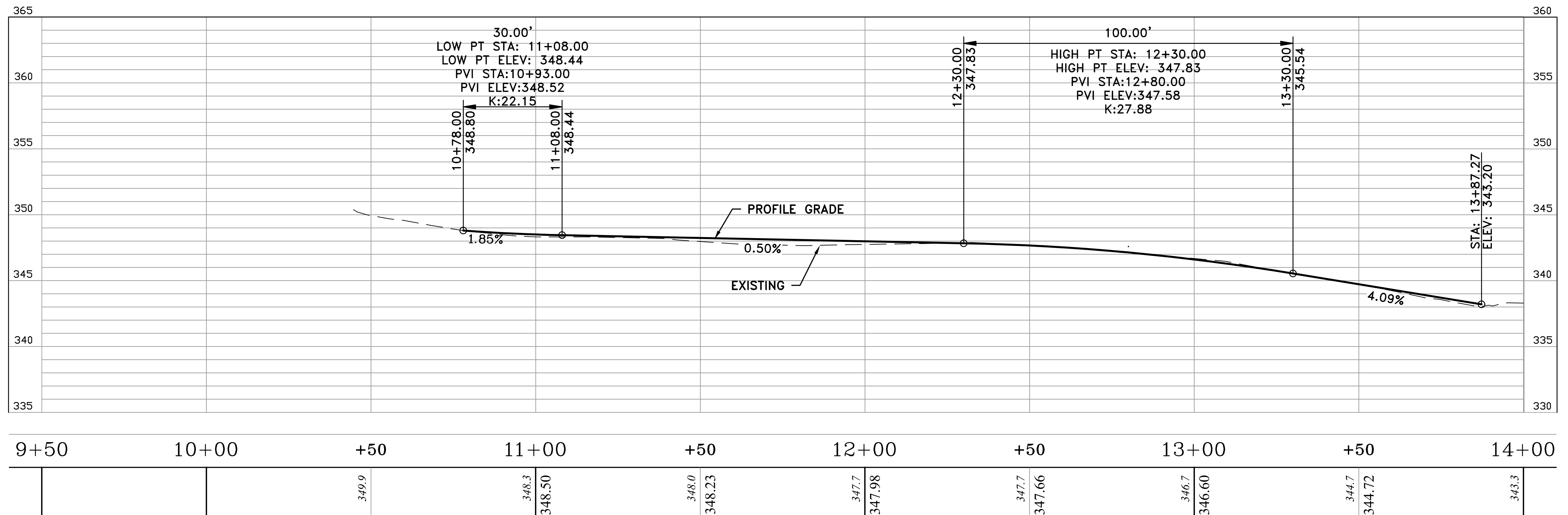
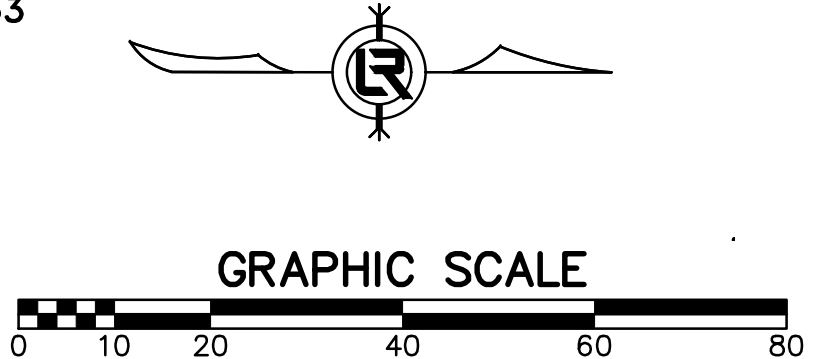


ALIGNMENT - BOX CULVERT

REVISIONS	DATE



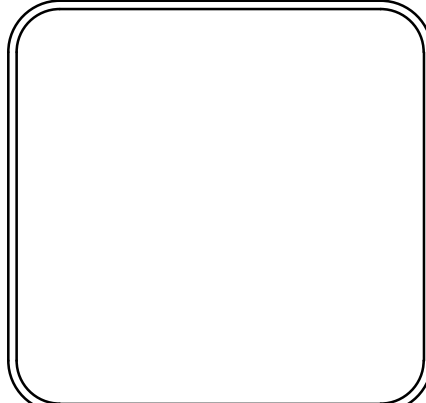
NOTE: BOX CULVERT NOT SHOWN FOR CLARITY.



ALIGNMENT - ALLEY

CITY OF LITTLE ROCK, ARKANSAS
S. VALENTINE STREET DRAINAGE IMPROVEMENTS
 ALLEY
 PLAN & PROFILE - STA 10+00 TO 14+00

DEPARTMENT OF PUBLIC WORKS
 CIVIL ENGINEERING
 701 W. MARKHAM
 LITTLE ROCK, ARKANSAS 72201

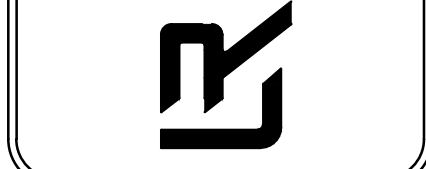


DRAWN BY
 MJM
 DESIGNED
 MJM
 CHECKED
 RCC
 DATE
 5-1-2019
 SCALE
 H: 1"=20'
 V: 1"=5'
 PROJECT NO.
 03-15-DR-95
 SHEET NO.
C12

REVISIONS	DATE

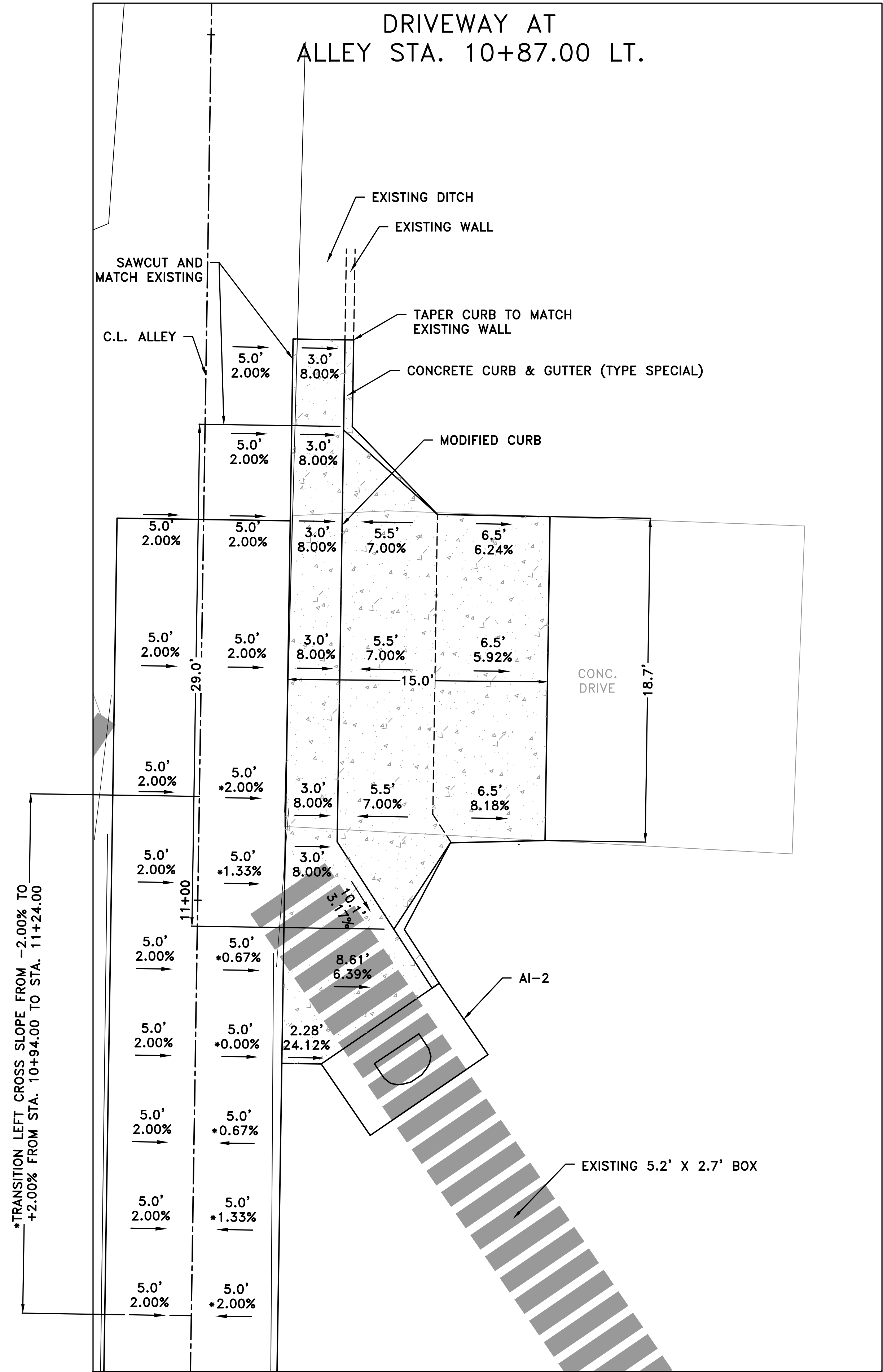
CITY OF LITTLE ROCK, ARKANSAS
S. VALENTINE STREET DRAINAGE IMPROVEMENTS
DRIVEWAY DETAILS

DEPARTMENT OF PUBLIC WORKS
CIVIL ENGINEERING
701 W. MARKHAM
LITTLE ROCK, ARKANSAS 72201

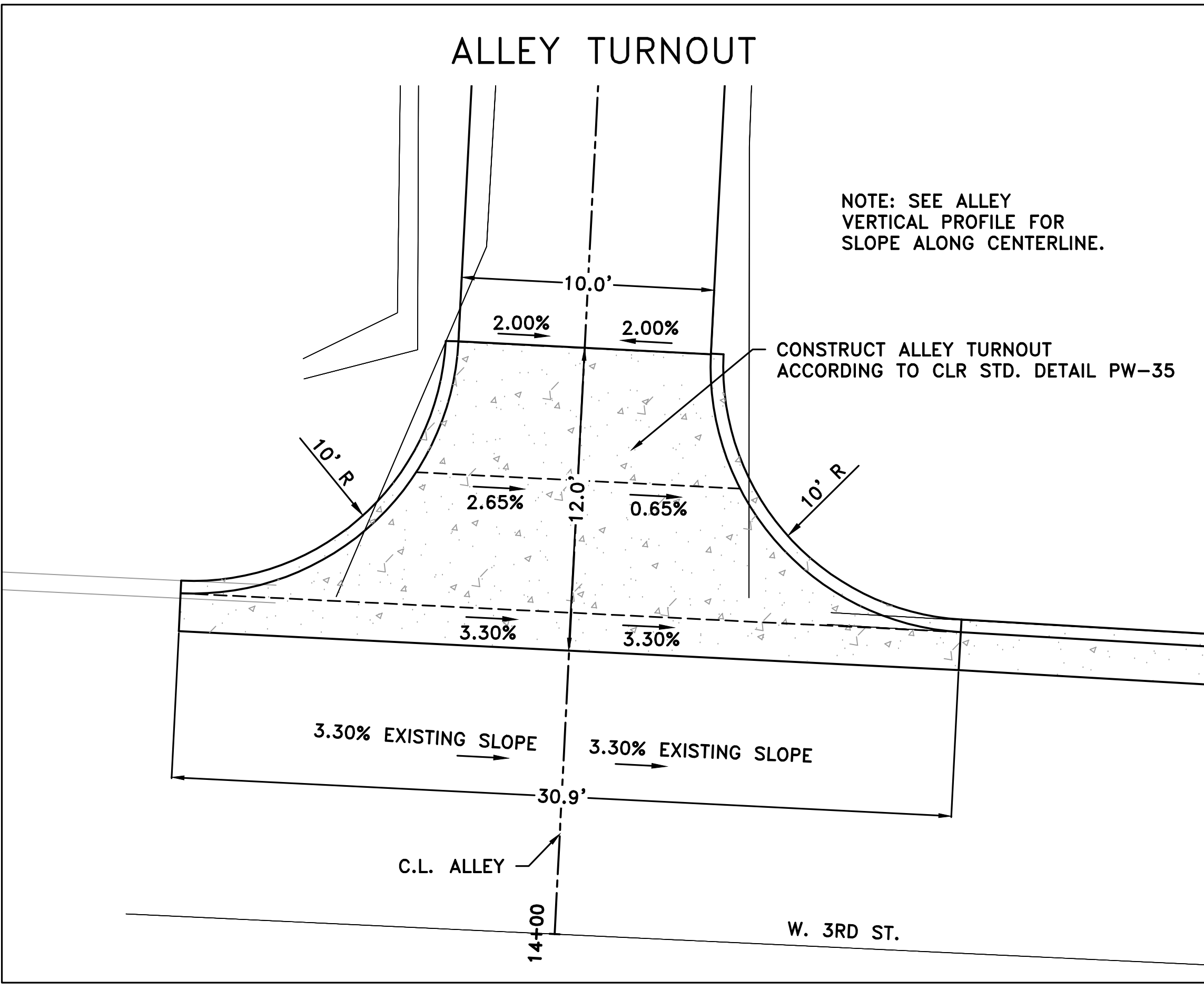


DRAWN BY
MJM
DESIGNED
MJM
CHECKED
RCC
DATE
8-21-2019
SCALE
N.T.S.
PROJECT NO.
03-15-DR-95
SHEET NO.
C13

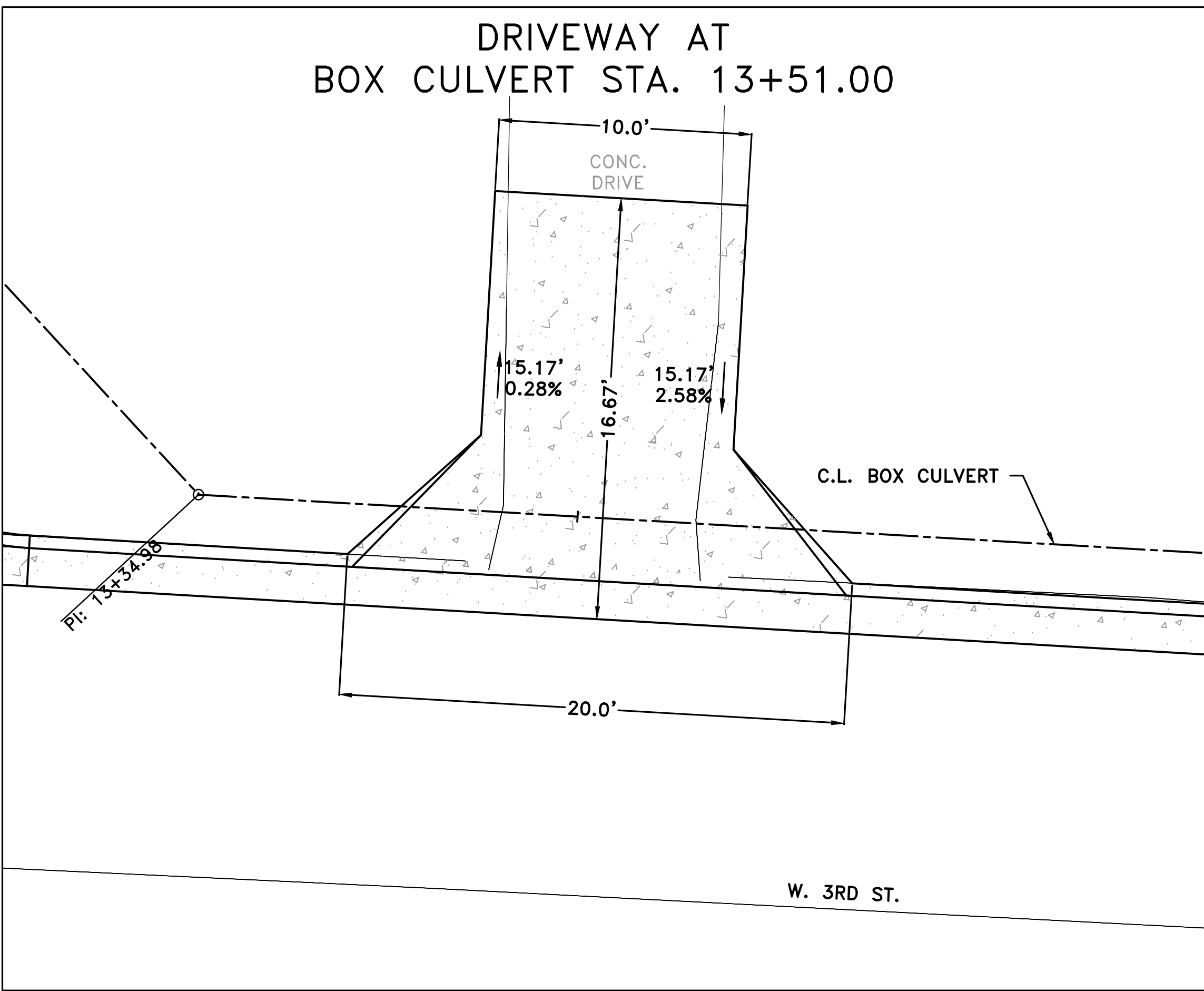
DRIVEWAY AT ALLEY STA. 10+87.00 LT.

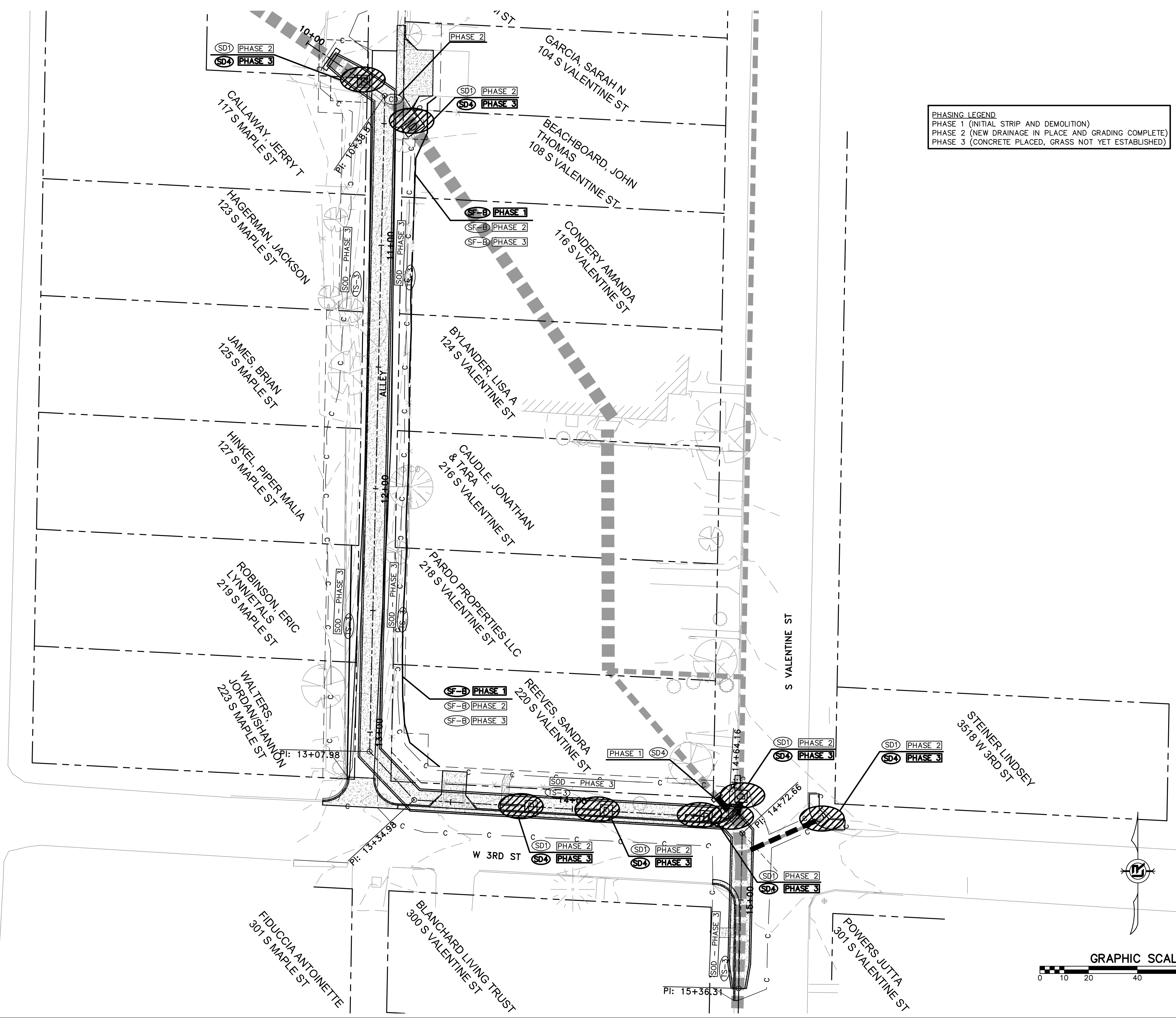


ALLEY TURNOUT



DRIVEWAY AT BOX CULVERT STA. 13+51.00



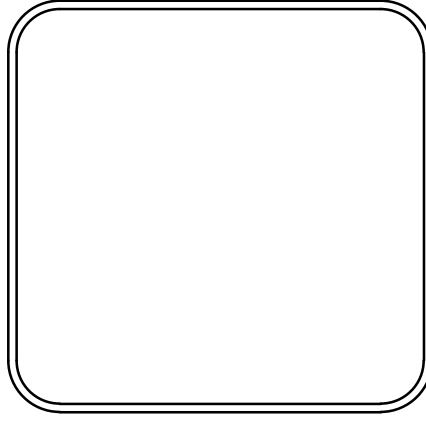


PHASING LEGEND
 PHASE 1 (INITIAL STRIP AND DEMOLITION)
 PHASE 2 (NEW DRAINAGE IN PLACE AND GRADING COMPLETE)
 PHASE 3 (CONCRETE PLACED, GRASS NOT YET ESTABLISHED)

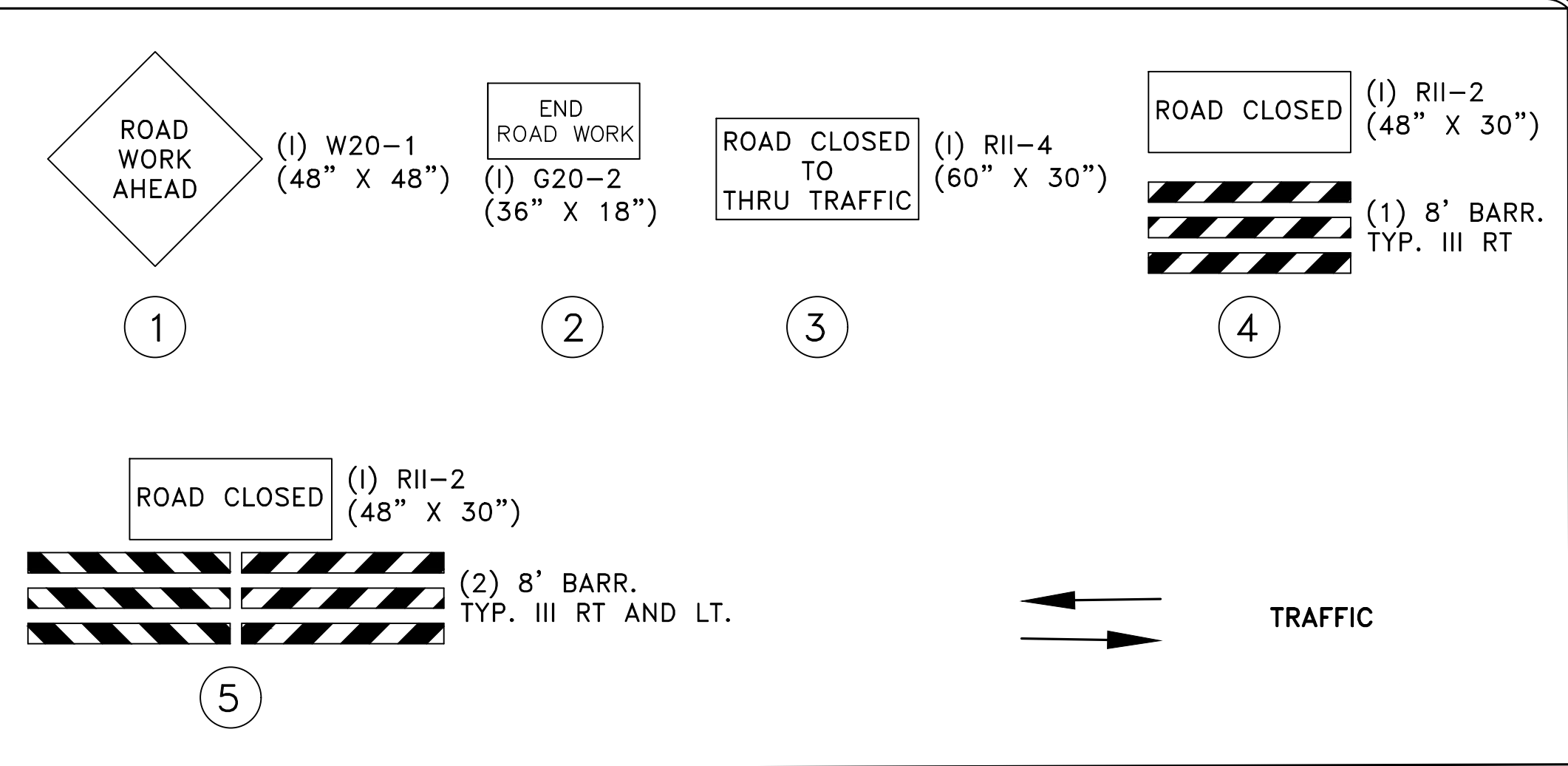
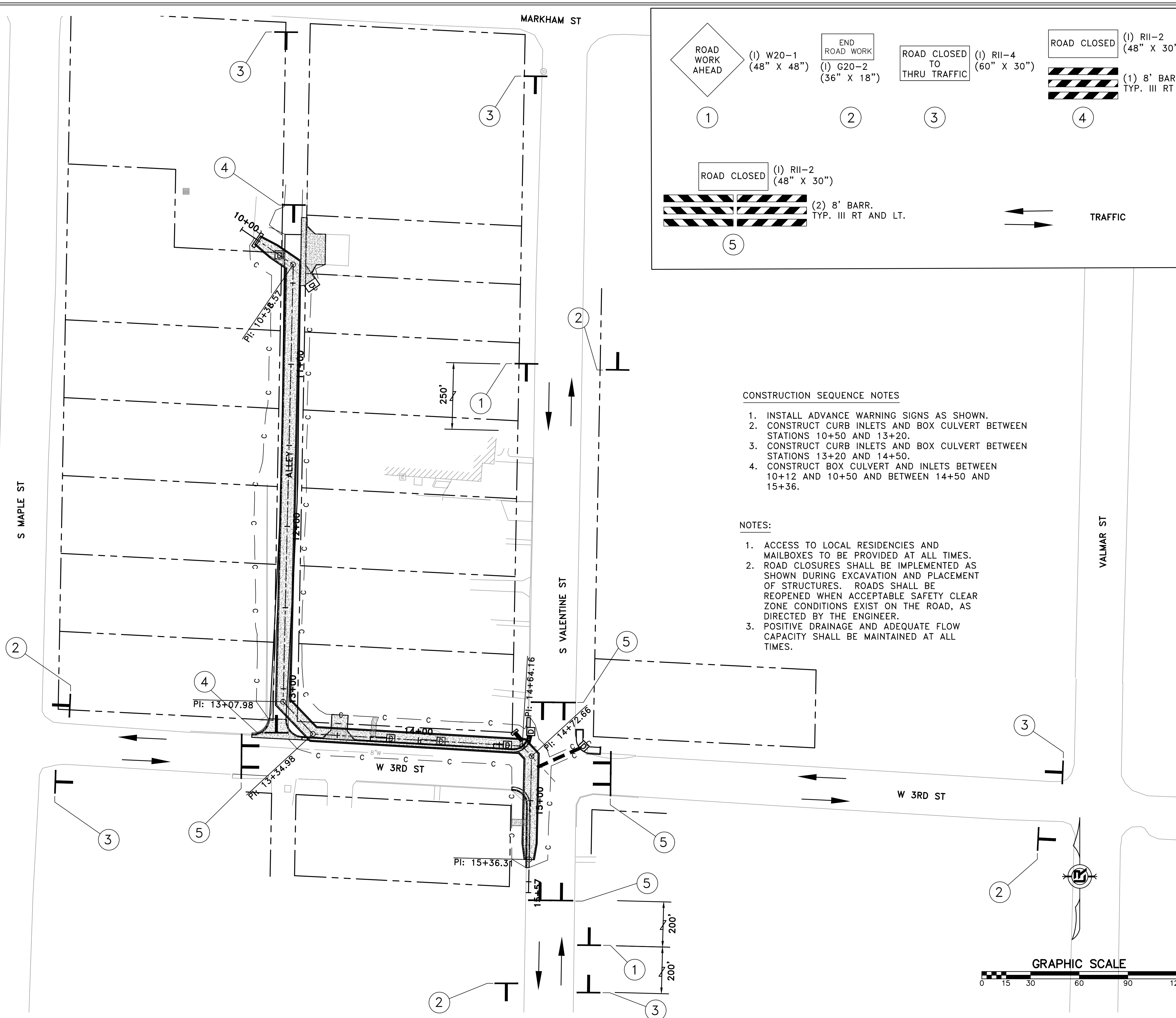
REVISIONS	DATE

CITY OF LITTLE ROCK, ARKANSAS
 S. VALENTINE STREET DRAINAGE IMPROVEMENTS
 EROSION CONTROL

DEPARTMENT OF PUBLIC WORKS
 CIVIL ENGINEERING
 701 W. MARKHAM
 LITTLE ROCK, ARKANSAS 72201



DRAWN BY
 M.J.M.
 DESIGNED
 M.J.M.
 CHECKED
 R.C.C.
 DATE
 8-21-2019
 SCALE
 1"=20'
 PROJECT NO.
 03-15-DR-95
 SHEET NO.
 C14



CONSTRUCTION SEQUENCE NOTES

1. INSTALL ADVANCE WARNING SIGNS AS SHOWN.
2. CONSTRUCT CURB INLETS AND BOX CULVERT BETWEEN STATIONS 10+50 AND 13+20.
3. CONSTRUCT CURB INLETS AND BOX CULVERT BETWEEN STATIONS 13+20 AND 14+50.
4. CONSTRUCT BOX CULVERT AND INLETS BETWEEN 10+12 AND 10+50 AND BETWEEN 14+50 AND 15+36.

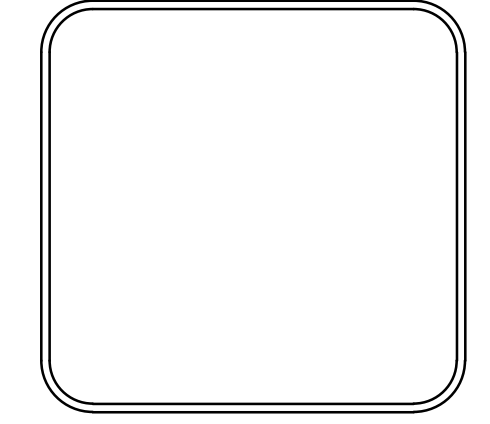
NOTES:

1. ACCESS TO LOCAL RESIDENCIES AND MAILBOXES TO BE PROVIDED AT ALL TIMES.
2. ROAD CLOSURES SHALL BE IMPLEMENTED AS SHOWN DURING EXCAVATION AND PLACEMENT OF STRUCTURES. ROADS SHALL BE REOPENED WHEN ACCEPTABLE SAFETY CLEAR ZONE CONDITIONS EXIST ON THE ROAD, AS DIRECTED BY THE ENGINEER.
3. POSITIVE DRAINAGE AND ADEQUATE FLOW CAPACITY SHALL BE MAINTAINED AT ALL TIMES.

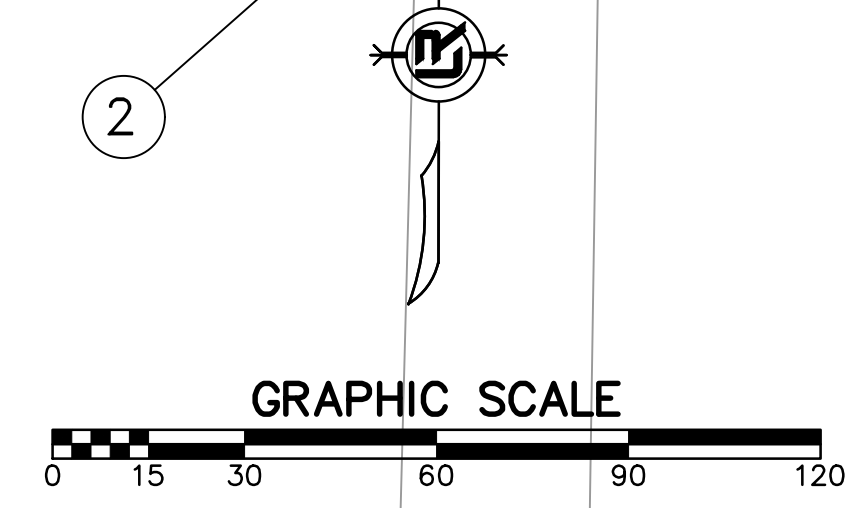
REVISIONS	DATE

CITY OF LITTLE ROCK, ARKANSAS
S. VALENTINE STREET DRAINAGE IMPROVEMENTS
 MAINTENANCE OF TRAFFIC

DEPARTMENT OF PUBLIC WORKS
 CIVIL ENGINEERING
 701 W. MARKHAM
 LITTLE ROCK, ARKANSAS 72201



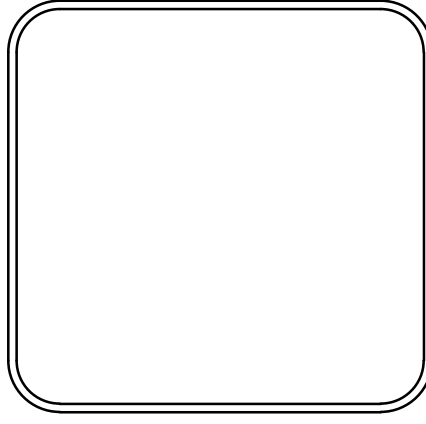
DRAWN BY MJM
DESIGNED MJM
CHECKED RCC
DATE 8-21-2019
SCALE 1"=30'
PROJECT NO. 03-15-DR-95
SHEET NO. C15



REVISIONS	DATE

CITY OF LITTLE ROCK, ARKANSAS
S. VALENTINE STREET DRAINAGE IMPROVEMENTS

DEPARTMENT OF PUBLIC WORKS
CIVIL ENGINEERING
701 W. MARKHAM
LITTLE ROCK, ARKANSAS 72201



DRAWN BY RCC
DESIGNED RCC
CHECKED RCC
DATE 8-21-2019
SCALE N.T.S.
PROJECT NO. 03-15-DR-95
SHEET NO. C16

