

CLR PROJECT 07-17-ST-293

EASTWOOD STREET

RECONSTRUCTION

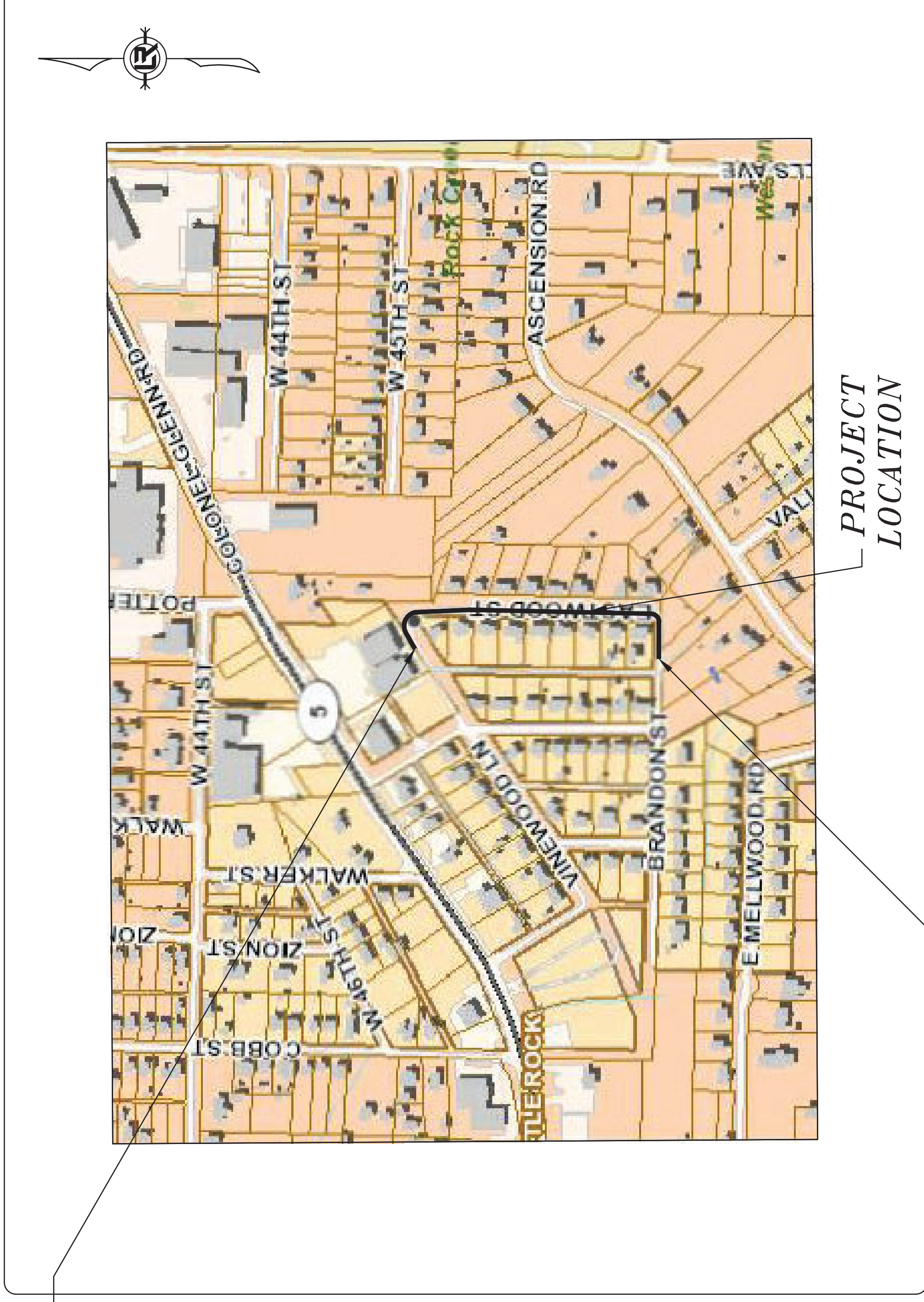
(BRANDON STREET TO VINEWOOD LANE)

END PROJECT
EASTWOOD ST
CL STATION 18+50.00
NORTHING 137869.53
EASTING 1202640.96

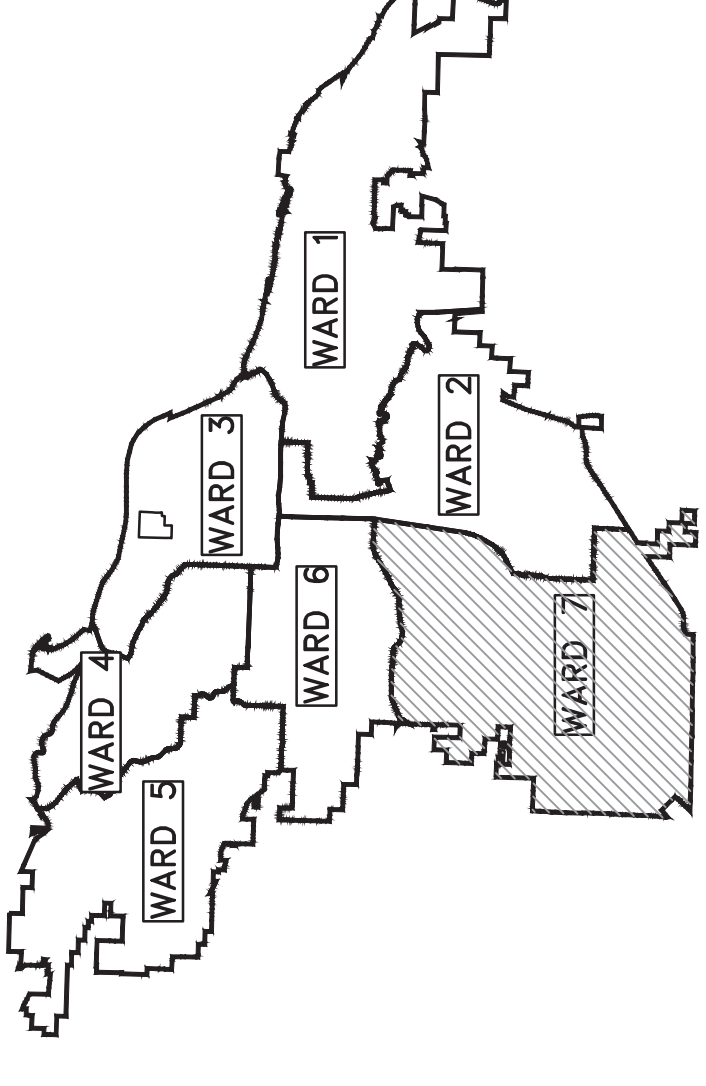


2019-2021
BOND PROGRAM

BEGIN PROJECT
EASTWOOD ST
CL STATION 9+70.15
NORTHING 137153.47
EASTING 1202663.50



PROJECT LOCATION



PROJECT LOCATION - WARD 7

SHEET NO.	TITLE
C1	COVER SHEET
C2	GENERAL NOTES, LEGEND AND QUANTITIES
C3	TYPICAL SECTION
C4	PLAN AND PROFILE (SHEET 1 OF 2)
C5	PLAN AND PROFILE (SHEET 2 OF 2)
C6	CROSS SECTIONS (SHEET 1 OF 6)
C7	CROSS SECTIONS (SHEET 2 OF 6)
C8	CROSS SECTIONS (SHEET 3 OF 6)
C9	CROSS SECTIONS (SHEET 4 OF 6)
C10	CROSS SECTIONS (SHEET 5 OF 6)
C11	CROSS SECTIONS (SHEET 6 OF 6)
C12	DRIVEWAY DETAILS (SHEET 1 OF 3)
C13	DRIVEWAY DETAILS (SHEET 2 OF 3)
C14	DRIVEWAY DETAILS (SHEET 3 OF 3)
C15	CONCRETE CHANNEL CONNECTION DETAIL
C16	PROJECT LAYOUT (SHEET 1 OF 2)
C17	PROJECT LAYOUT (SHEET 2 OF 2)
C18	EROSION CONTROL (SHEET 1 OF 2)
C19	EROSION CONTROL (SHEET 2 OF 2)



811
Know what's below.
Call before you dig.

90% PRELIMINARY DESIGN

FOR REVIEW ONLY

These documents are for Design Review and not intended for Construction, Bidding or Permit Purposes. They were prepared by, or under the supervision of:

JEFFREY BRISCOE P.E.# 17332 01/22/2020
Date

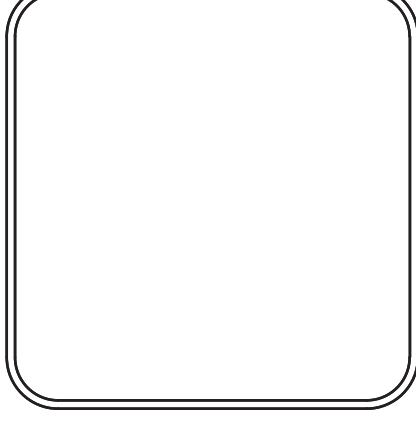


1701 CENTERVIEW DR., SUITE 117
LITTLE ROCK, AR 72211
OFFICE: 501-215-5807 FAX: 501-227-8302
WWW.ICONICCG.COM

REVISIONS	DATE

CITY OF LITTLE ROCK, ARKANSAS
EASTWOOD STREET RECONSTRUCTION
90% PRELIMINARY DESIGN
COVER SHEET

DEPARTMENT OF PUBLIC WORKS
CIVIL ENGINEERING
701 W. MARKHAM
LITTLE ROCK, ARKANSAS 72201



DRAWN BY
KWS
DESIGNED
BCJ
CHECKED
JEB
DATE
01/22/2020
SCALE
N.T.S.
PROJECT NO.
07-17-ST-293
SHEET NO.
C1

ITEM #	ITEM DESCRIPTION	UNIT	QUANTITY
CLR PROJECT 07-17-ST-293			
EASTWOOD STREET RECONSTRUCTION 22-Jan-20			
2.01	SITE PREPARATION	LS	1
3.01	UNCLASSIFIED EXCAVATION	CY	192
4.01	AGGREGATE BASE COURSE (CLASS 7)	TON	590
5.01	TACK COAT (0.10 GAL/SY)	GAL	202
6.01	ACHM SURFACE COURSE	TON	334
7.06	CONCRETE DRIVE 6"	SF	4915
8.01	CONCRETE CURB & GUTTER (CLASS 3)	LF	1132
9.01	CONCRETE SIDEWALK, 4" THICK	SF	145
10.02	CURB INLET-4" BOX	EA	4
10.10	WING 6" EXTENSION	EA	3
10.02	WING 10" EXTENSION	EA	1
13.18C	STORM DRAIN PIPE, 18" CROSS DRAIN	LF	49
13.18C	STORM DRAIN PIPE, 18" SIDE DRAIN	LF	356
13.24	STORM DRAIN PIPE, 24" SIDE DRAIN	LF	103
13.64	TIE INTO EXISTING BOX CULVERT	EA	1
14.01	SOLID SODDING (BERMUDDA)	SY	1030
16.01	MAINTENANCE OF TRAFFIC	LS	1
18.01	REMOVE AND REPLACE FENCE	LF	20
18.50	ACCESS RAMP - TYPE 3	SF	81
19.01	FINAL CLEAN-UP	LS	1
24.02	CHECK DAM (CD)	CY	13
24.06	SEDIMENT BARRIER, SILT FENCE (SD1)	EA	5
24.09	SEDIMENT BARRIER, BLOCK (SD4)	EA	2
24.18	DISTURBED AREA STABILIZATION - PERMANENT GRASSING	AC	0.60
26.10	TRENCH & EXCAVATION SAFETY	LS	1
SS2.1	ADJUST RIM ELEVATION OF MANHOLE	EA	3

EXISTING

- IRON ROD
- PK NAIL
- R.R. SPIKE
- CONC. MONUMENT
- WATER VALVE
- WATER METER
- FIRE HYDRANT
- GAS METER
- CLEAN-OUT
- GAS VALVE
- GUARD POST (BOLLARD)
- SIGN POST
- BENCHMARK
- STORM SEWER MANHOLE
- SANITARY SEWER MANHOLE
- TELEPHONE MANHOLE
- ELECTRIC MANHOLE
- TELEPHONE BOX
- ELECTRIC BOX
- CABLE BOX
- UTILITY POLE
- UTILITY WIRE
- LIGHT POLE
- POST OR POLE (TYPE AS NOTED)
- MAILBOX
- DECIDUOUS TREE
- EVERGREEN/CONIFEROUS TREE
- BUSH
- PROPERTY LINE
- SETBACK LINE
- EASEMENT LINE
- CURB
- FENCE
- OVERHEAD ELECTRIC
- OVERHEAD TELEPHONE
- OVERHEAD CABLE
- UNDERGROUND TELEPHONE
- UNDERGROUND ELECTRIC
- UNDERGROUND CABLE
- WATER LINE
- SEWER LINE
- GAS LINE
- STORM SEWER/CULVERT
- EDGE OF WOODS
- CONTOUR LINE

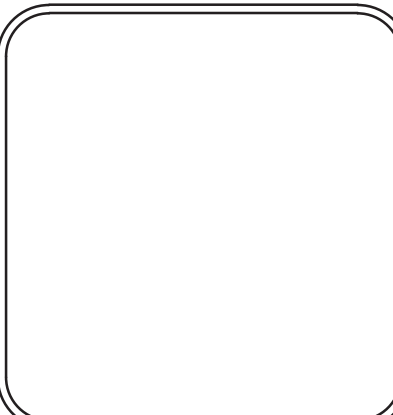
PROPOSED

- PROPOSED CONTOUR
- PROPOSED SPOT ELEVATION
- PROPOSED SPOT CURB ELEVATION
- STORM SEWER - PIPE
- STORM SEWER - MITERED END SECTION
- STORM SEWER - GRATE INLET
- STORM SEWER - JUNCTION BOX
- STORM SEWER - FLARED END SECTION
- STORM SEWER - HEADWALL
- STORM SEWER - SINGLE WING
- STORM SEWER - DOUBLE WING
- STORM SEWER - AREA INLET
- GRADE BREAK LINE
- HIGH POINT
- LOW POINT
- CUT LINE
- FILL LINE
- SANITARY SEWER PIPE
- SANITARY SEWER MANHOLE
- PROPOSED CURB
- PROPOSED CONCRETE
- CONSTRUCTION - ENTRANCE/EXIT
- CHECK DAM
- DIVERSION BERM
- DOWNDRAIN STRUCTURE - TEMPORARY
- ROCK DAM
- SEDIMENT BARRIER - SILT FENCE
- SEDIMENT BARRIER - GRAVEL RING
- SEDIMENT BARRIER - BLOCK & GRAVEL
- SEDIMENT BARRIER - BLOCK
- TEMPORARY SEDIMENT BASIN
- SILT FENCE - TYPE A
- SILT FENCE - TYPE B
- SILT FENCE - TYPE C
- STORM DRAIN OUTLET PROTECTION
- SURFACE ROUGHENING
- DISTURBED AREA STABILIZATION - TEMPORARY STABILIZATION [TS1]
- DISTURBED AREA STABILIZATION - TEMPORARY GRASSING [TS2]
- DISTURBED AREA STABILIZATION - PERMANENT GRASSING [TS3]
- MATTING/BANKETS [Mb]

REVISIONS	DATE

CITY OF LITTLE ROCK, ARKANSAS
EASTWOOD STREET RECONSTRUCTION
90% PRELIMINARY DESIGN
GENERAL NOTES, LEGEND AND QUANTITIES

DEPARTMENT OF PUBLIC WORKS
CIVIL ENGINEERING
701 W. MARKHAM
LITTLE ROCK, ARKANSAS 72201



DRAWN BY
KWS
DESIGNED
BCJ
CHECKED
JEB
DATE
01/22/2020
SCALE
N.T.S.
PROJECT NO.
07-17-ST-293
SHEET NO.
C2

90% PRELIMINARY DESIGN

FOR REVIEW ONLY

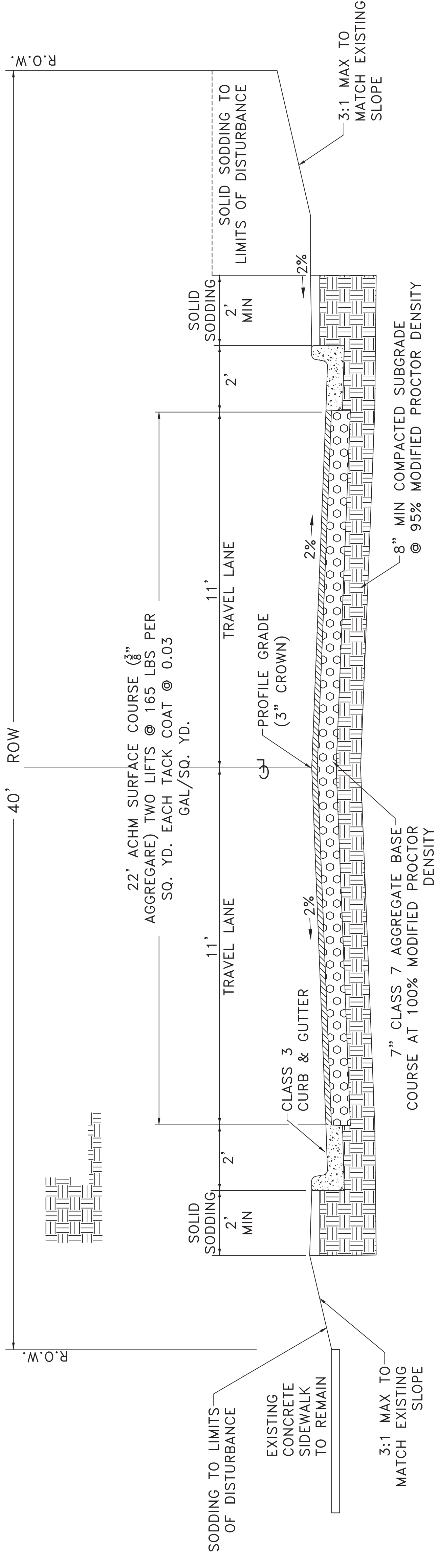
These documents are for Design Review and not intended for Construction, Bidding or Permit Purposes. They were prepared by, or under the supervision of:
JEFFREY BRISCOE P.E.# 17332 01/22/2020
 Date

REVISIONS	DATE

CITY OF LITTLE ROCK, ARKANSAS
EASTWOOD STREET RECONSTRUCTION
 90% PRELIMINARY DESIGN
 TYPICAL SECTION

DEPARTMENT OF PUBLIC WORKS
 CIVIL ENGINEERING
 701 W. MARKHAM
 LITTLE ROCK, ARKANSAS 72201

DRAWN BY
 KWS
 DESIGNED
 BCJ
 CHECKED
 JEB
 DATE
 01/22/2020
 SCALE
 N.T.S.
 PROJECT NO.
 07-17-ST-293
 SHEET NO.
C3

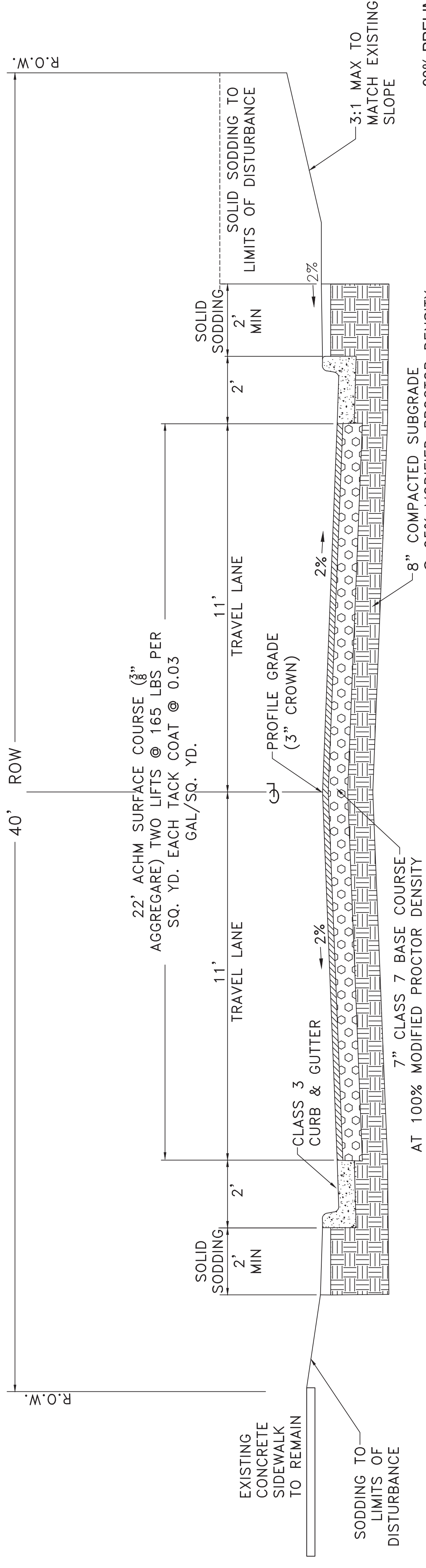


NOTE:

REMOVE EXISTING PAVEMENT
 BACKFILL WITH APPROVED BORROW IN 9" MAXIMUM LIFTS
 IN ACCORDANCE WITH GEOTECHNICAL REPORT.
 COMPACTED TO 95% MODIFIED PROCTOR.
 CONSTRUCT NEW STREET IN ACCORDANCE WITH
 STANDARD DETAIL PW-22

TYPICAL SECTION - EASTWOOD STREET

Sta 10+00 to Sta 14+50
 Sta 16+50 to Sta 18+05.54



90% PRELIMINARY DESIGN

FOR REVIEW ONLY
 These documents are for Design Review and not
 intended for Construction, Bidding or Permit purposes.
 They were prepared by, or under the supervision of:
 JEFFREY BRISCOE P.E.# 17332 01/22/2020
 Date

TYPICAL SECTION - EASTWOOD STREET

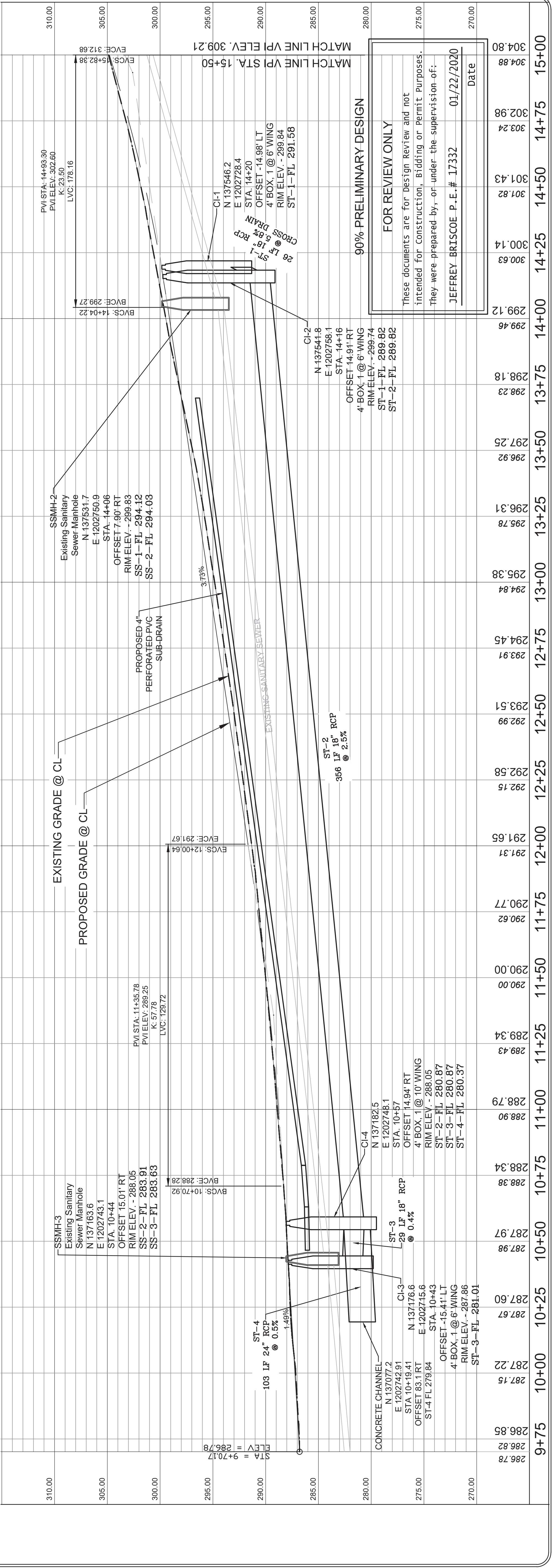
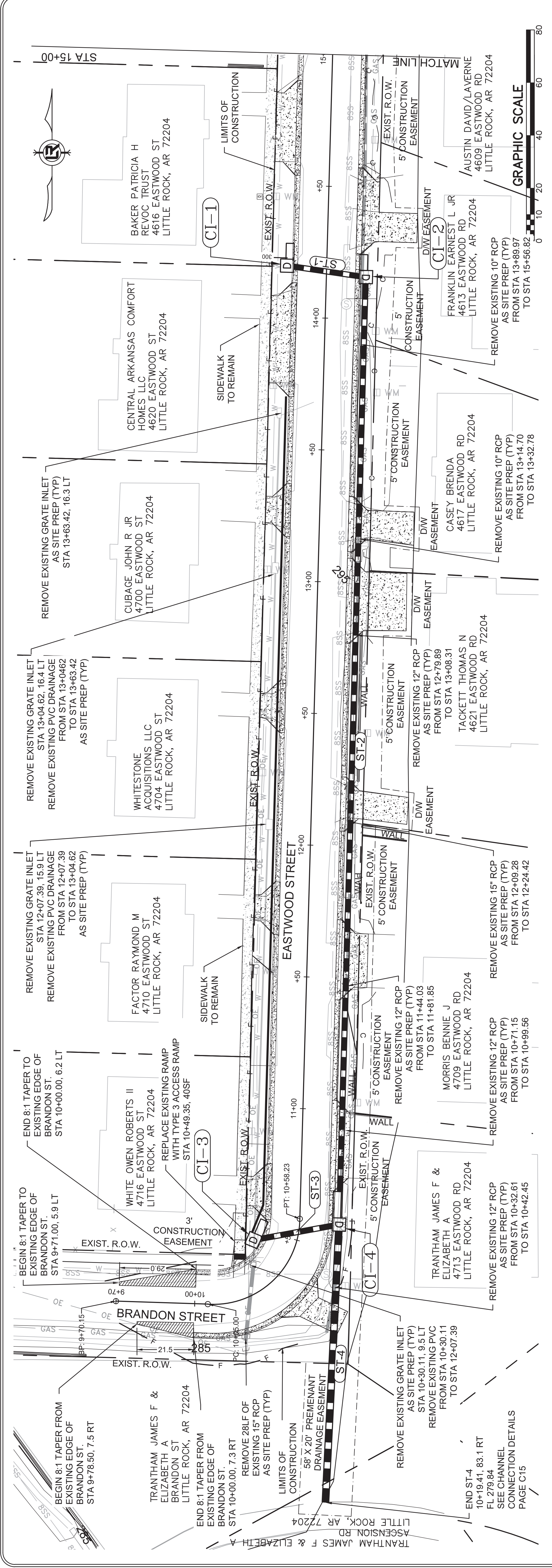
STA 14+50 TO 16+50

REVISIONS	DATE

CITY OF LITTLE ROCK, ARKANSAS
EASTWOOD STREET RECONSTRUCTION
 90% PRELIMINARY DESIGN
 PLAN AND PROFILE (SHEET 1 OF 2)

DEPARTMENT OF PUBLIC WORKS
CIVIL ENGINEERING
 701 W. MARKHAM
 LITTLE ROCK, ARKANSAS 72201

DRAWN BY
KWS
DESIGNED
BCJ
CHECKED
JEB
DATE
01/22/2020
SCALE
1" = 20' H, 1" = 5' V
PROJECT NO.
07-17-ST-293
SHEET NO.
C4



FOR REVIEW ONLY
 These documents are for Design Review and not intended for Construction, Bidding or Permit purposes. They were prepared by, or under the supervision of:
 JEFFREY BRISCOE P.E. # 17332 01/22/2020

90% PRELIMINARY DESIGN

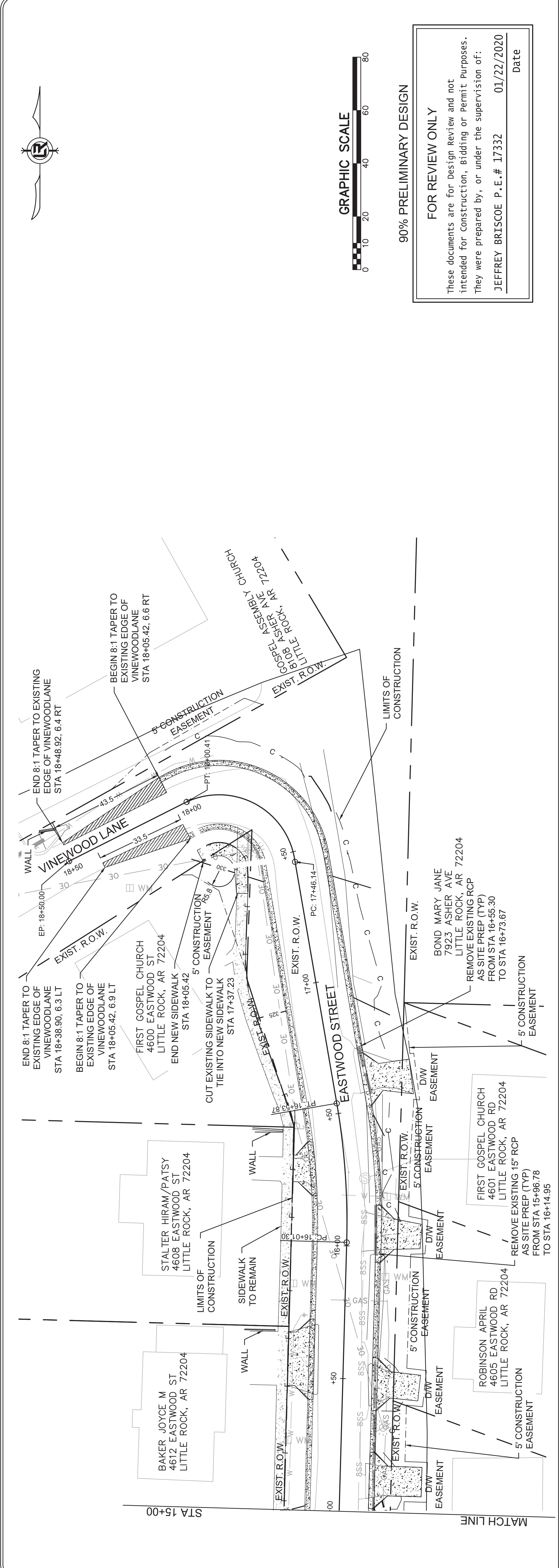
END ST-4
 10+19.41, 83.1 RT
 FL 279.84
 SEE CHANNEL
 CONNECTION DETAILS
 PAGE C15

REVISIONS	DATE

CITY OF LITTLE ROCK, ARKANSAS
EASTWOOD STREET RECONSTRUCTION
 90% PRELIMINARY DESIGN
 PLAN AND PROFILE (SHEET 2 OF 2)

DEPARTMENT OF PUBLIC WORKS
 701 W. MARKHAM
 CIVIL ENGINEERING
 LITTLE ROCK, ARKANSAS 72201

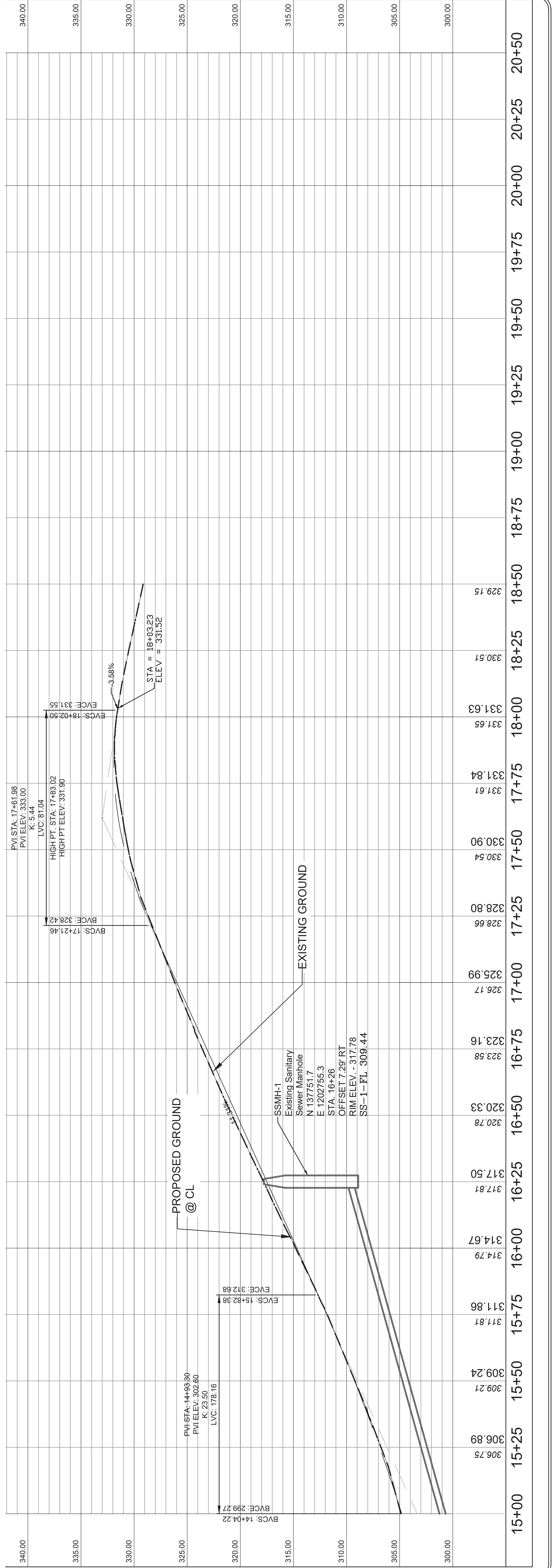
DRAWN BY
KWS
DESIGNED
BCJ
CHECKED
JEB
DATE
01/22/2020
SCALE
1" = 20' H, 1" = 5' V
PROJECT NO.
07-17-ST-293
SHEET NO.
C5



90% PRELIMINARY DESIGN

FOR REVIEW ONLY

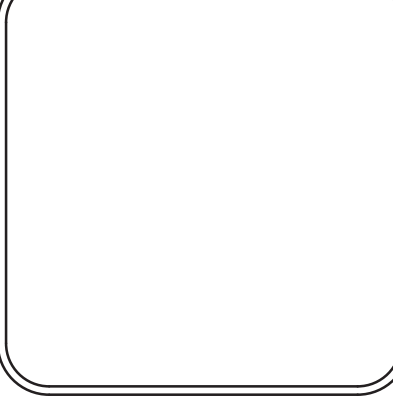
These documents are for Design Review and not intended for Construction, Bidding or Permit Purposes. They were prepared by, or under the supervision of:
JEFFREY BRISCOE P.E.# 17332 01/22/2020
 Date



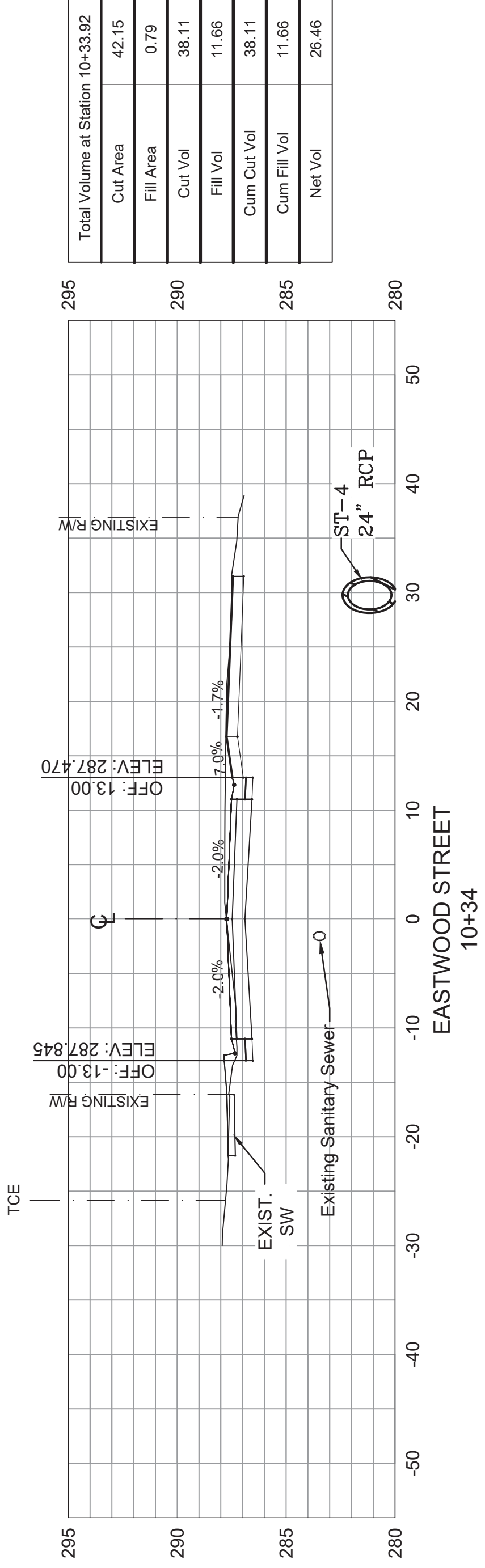
REVISIONS	DATE

CITY OF LITTLE ROCK, ARKANSAS
EASTWOOD STREET RECONSTRUCTION
90% PRELIMINARY DESIGN
CROSS SECTIONS (SHEET 1 OF 6)

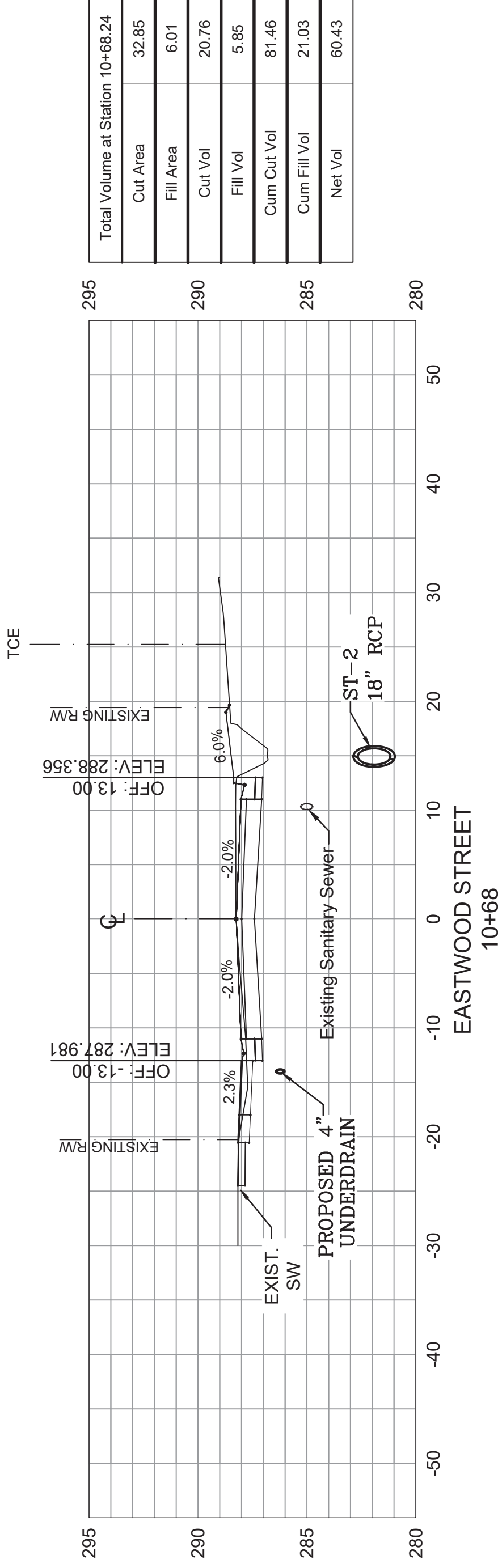
DEPARTMENT OF PUBLIC WORKS
CIVIL ENGINEERING
701 W. MARKHAM
LITTLE ROCK, ARKANSAS 72201



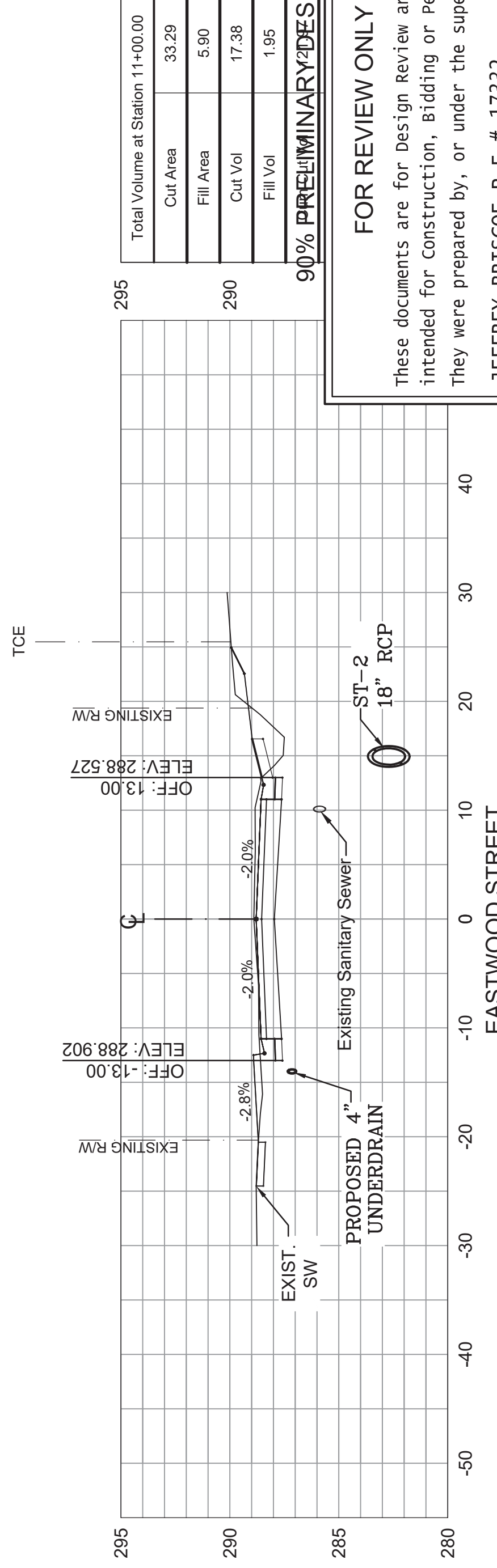
DRAWN BY KWS	DESIGNED BCJ	CHECKED JEB	DATE 01/22/2020
SCALE 1" = 10'	PROJECT NO. 07-17-ST-293	SHEET NO. C6	



Total Volume at Station 10+33.92	
Cut Area	42.15
Fill Area	0.79
Cut Vol	38.11
Fill Vol	11.66
Cum Cut Vol	38.11
Cum Fill Vol	11.66
Net Vol	26.46



Total Volume at Station 10+68.24	
Cut Area	32.85
Fill Area	6.01
Cut Vol	20.76
Fill Vol	5.85
Cum Cut Vol	81.46
Cum Fill Vol	21.03
Net Vol	60.43

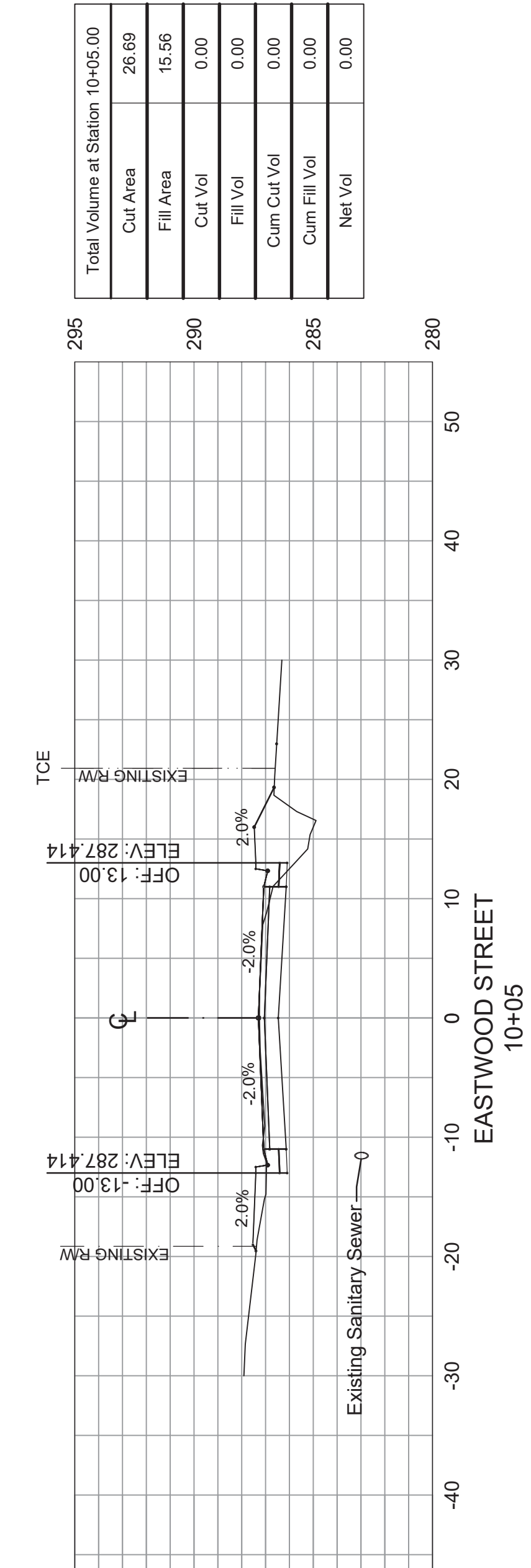


Total Volume at Station 11+00.00	
Cut Area	33.29
Fill Area	5.90
Cut Vol	17.38
Fill Vol	1.95

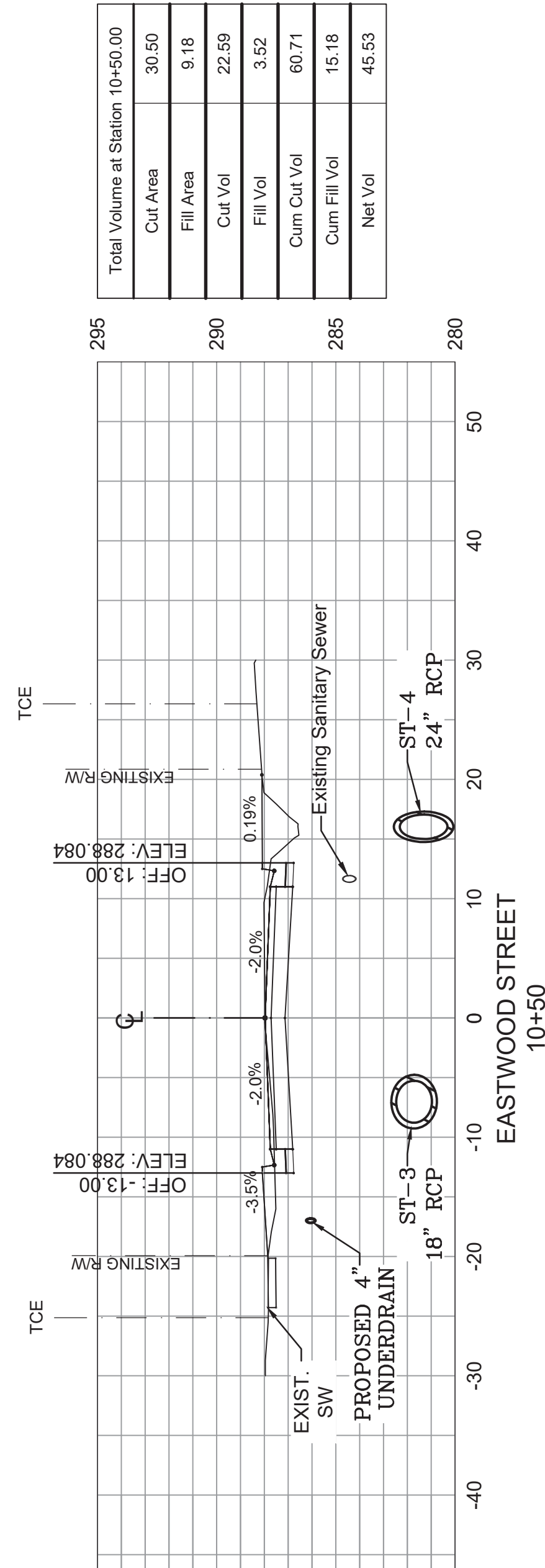
90% PRELIMINARY DESIGN

FOR REVIEW ONLY

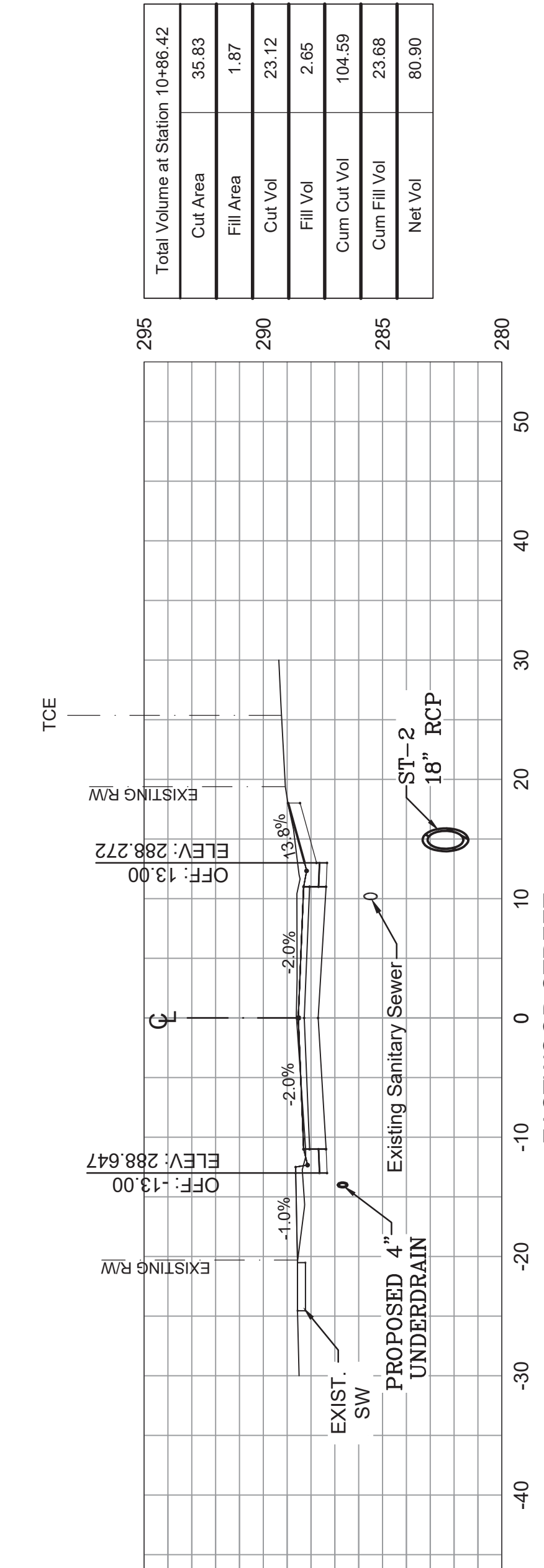
These documents are for Design Review and not intended for Construction, Bidding or Permit Purposes. They were prepared by, or under the supervision of:
JEFFREY BRISCOE P. E. # 17332 01/22/2020 Date



Total Volume at Station 10+05.00	
Cut Area	26.69
Fill Area	15.56
Cut Vol	0.00
Fill Vol	0.00
Cum Cut Vol	0.00
Cum Fill Vol	0.00
Net Vol	0.00



Total Volume at Station 10+50.00	
Cut Area	30.50
Fill Area	9.18
Cut Vol	22.59
Fill Vol	3.52
Cum Cut Vol	60.71
Cum Fill Vol	15.18
Net Vol	45.53

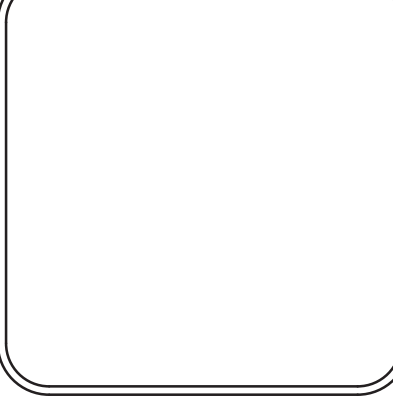


Total Volume at Station 10+86.42	
Cut Area	35.83
Fill Area	1.87
Cut Vol	23.12
Fill Vol	2.65
Cum Cut Vol	104.59
Cum Fill Vol	23.68
Net Vol	80.90

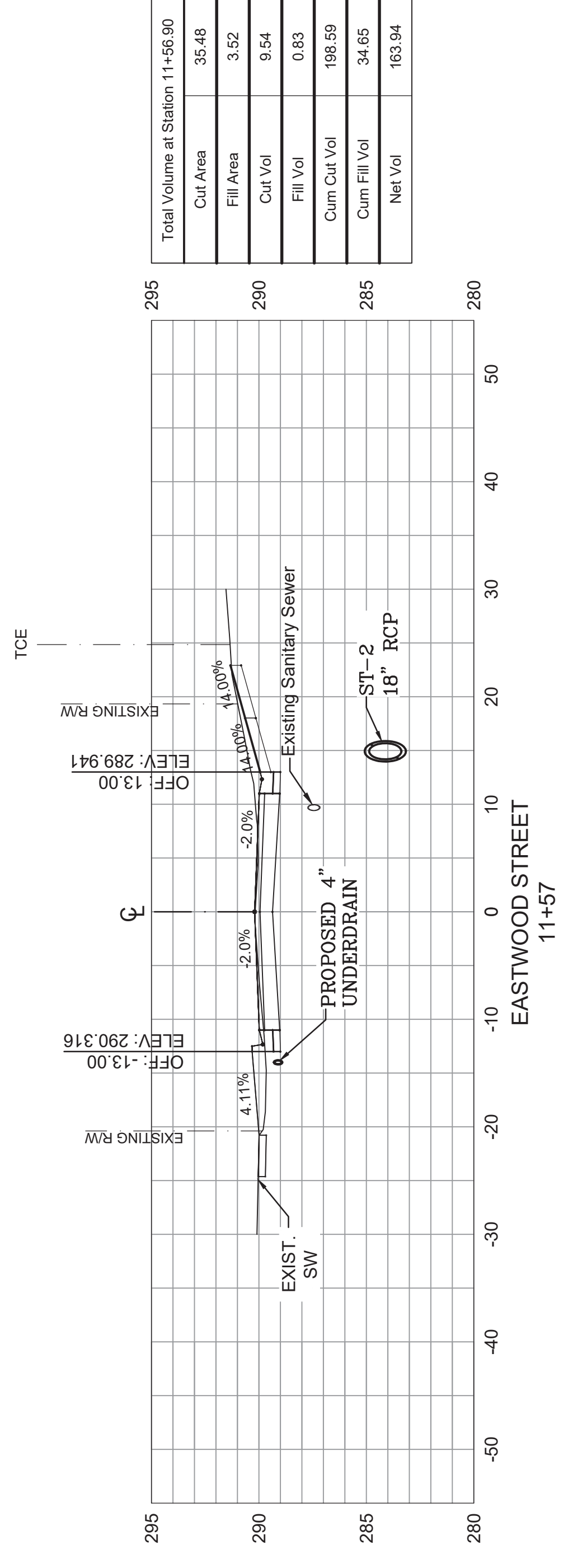
REVISIONS	DATE

CITY OF LITTLE ROCK, ARKANSAS
EASTWOOD STREET RECONSTRUCTION
90% PRELIMINARY DESIGN
CROSS SECTIONS (SHEET 2 OF 6)

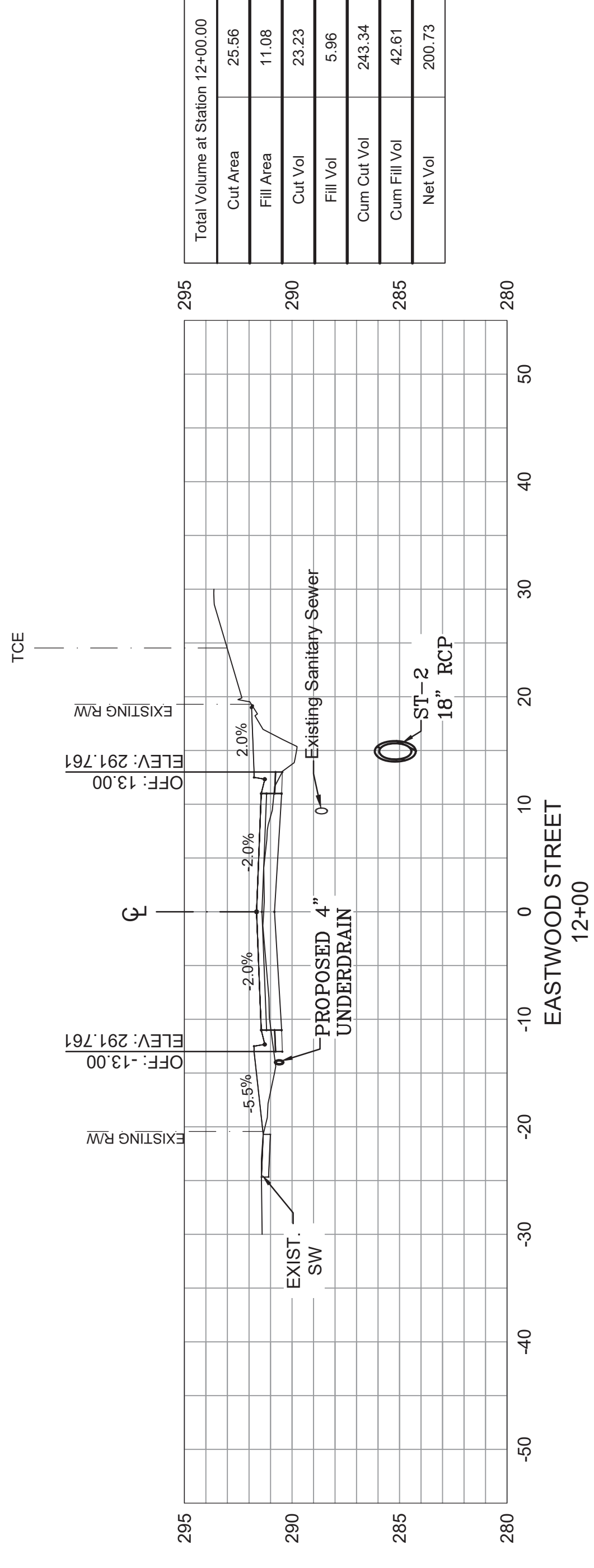
DEPARTMENT OF PUBLIC WORKS
CIVIL ENGINEERING
701 W. MARKHAM
LITTLE ROCK, ARKANSAS 72201



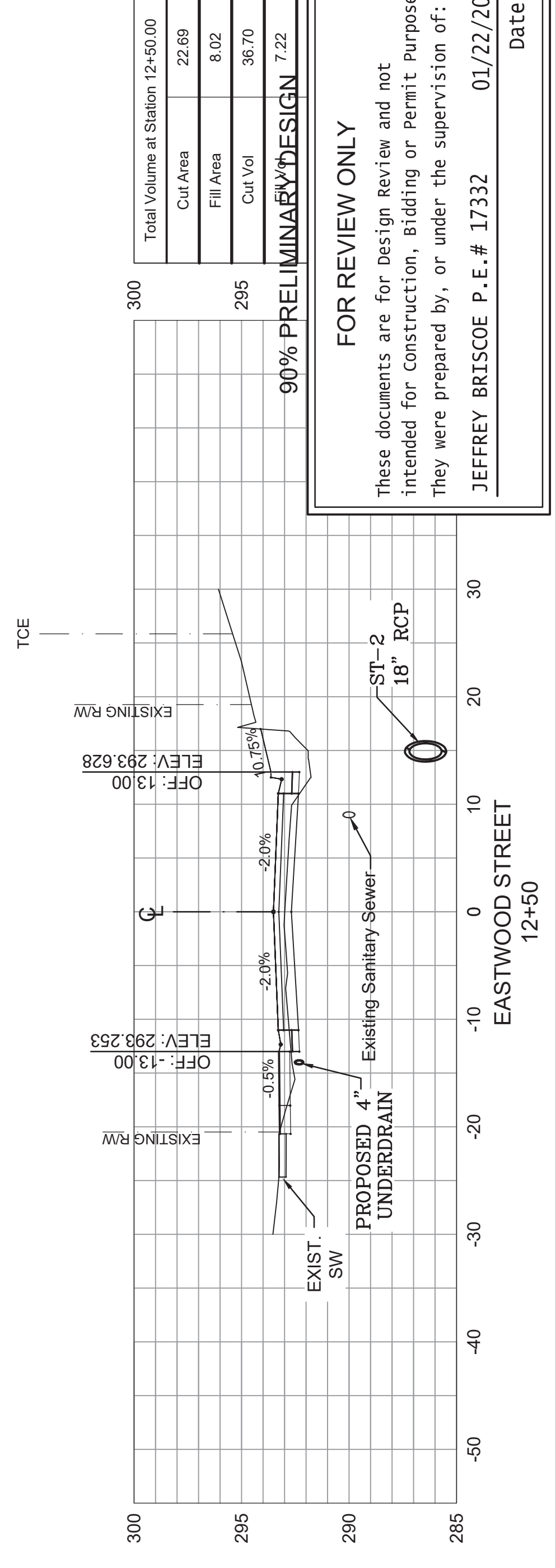
DRAWN BY KWS	DATE 01/22/2020
DESIGNED BCJ	SCALE 1" = 10'
CHECKED JEB	PROJECT NO. 07-17-ST-293
SHEET NO. C7	



Total Volume at Station 11+56.90	
Cut Area	35.48
Fill Area	3.52
Cut Vol	9.54
Fill Vol	0.83
Cum Cut Vol	198.59
Cum Fill Vol	34.65
Net Vol	163.94



Total Volume at Station 12+00.00	
Cut Area	25.56
Fill Area	11.08
Cut Vol	23.23
Fill Vol	5.96
Cum Cut Vol	243.34
Cum Fill Vol	42.61
Net Vol	200.73

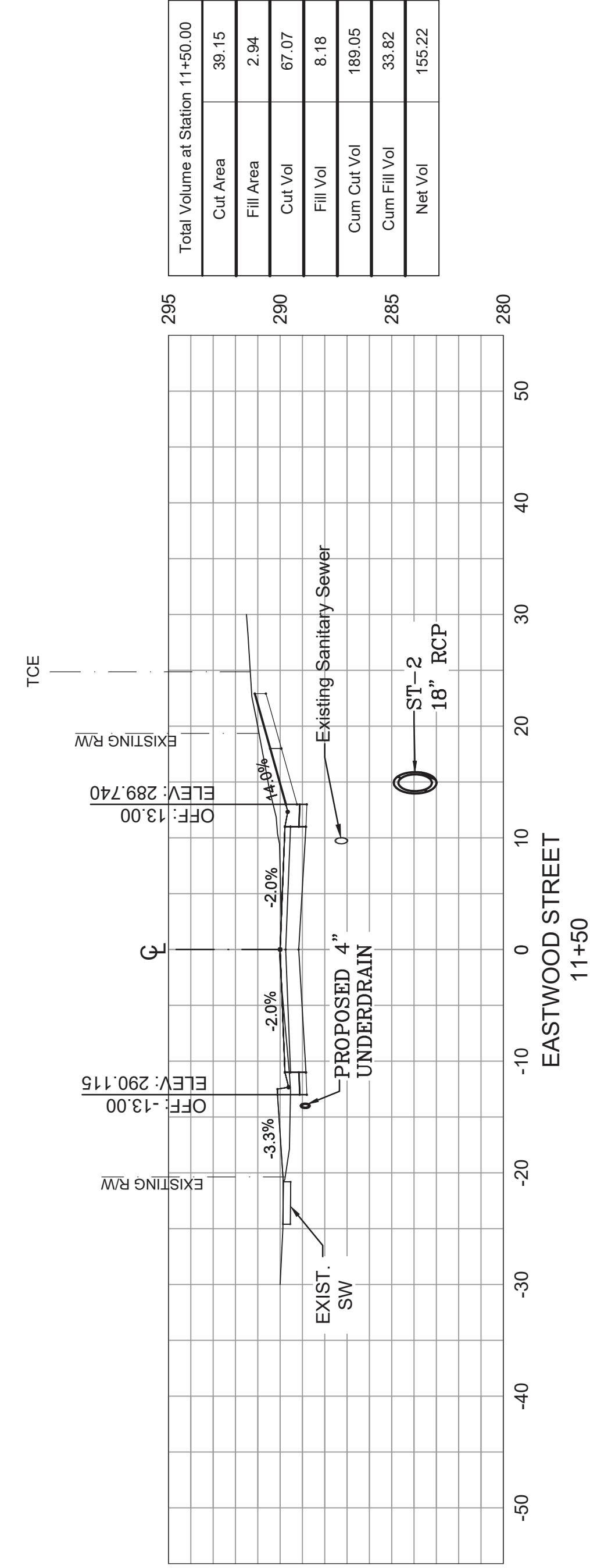


Total Volume at Station 12+50.00	
Cut Area	22.69
Fill Area	8.02
Cut Vol	36.70
Net Vol	7.22

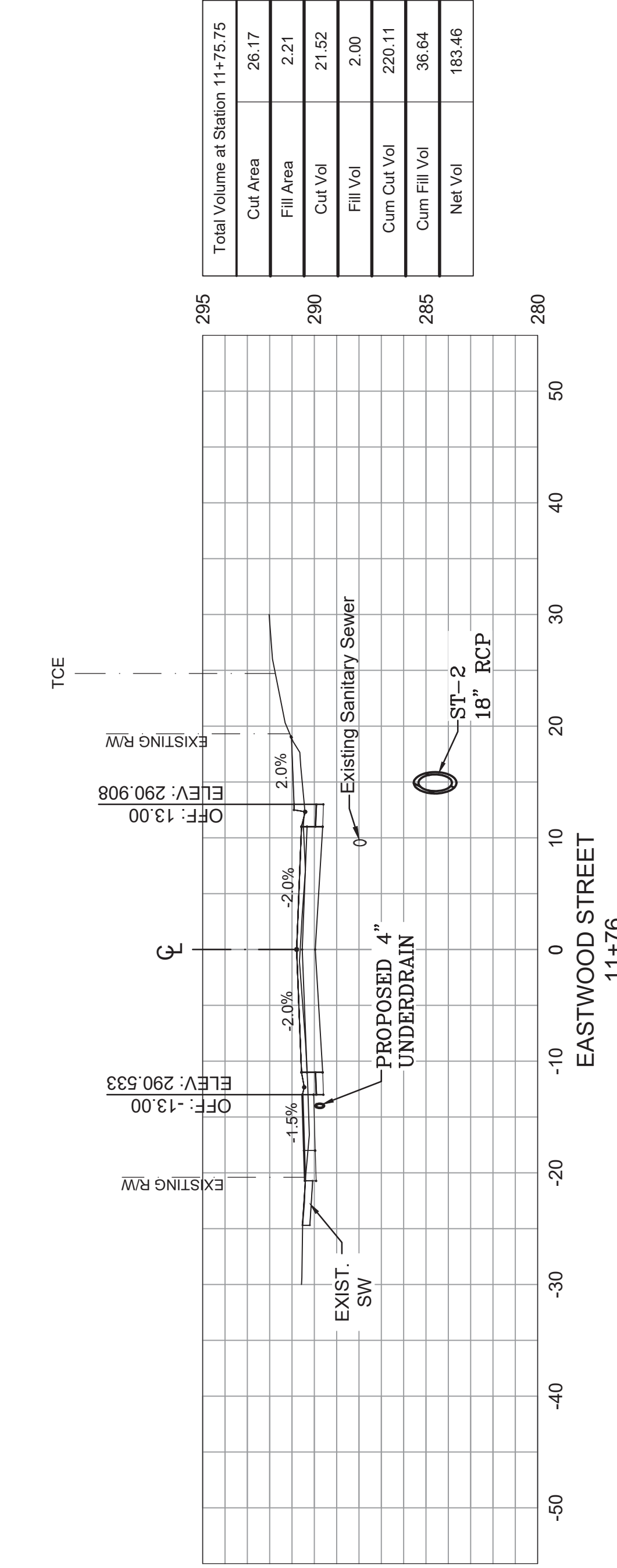
90% PRELIMINARY DESIGN

FOR REVIEW ONLY

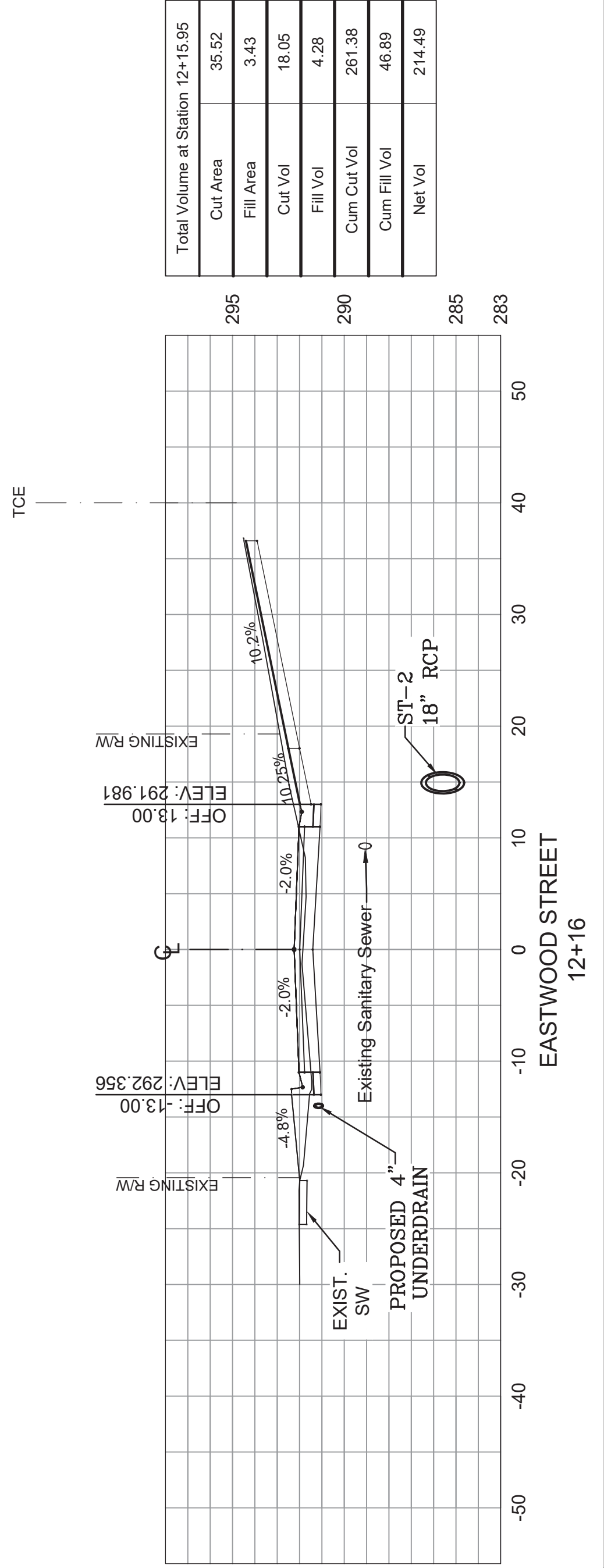
These documents are for Design Review and not intended for Construction, Bidding or Permit Purposes. They were prepared by, or under the supervision of:
JEFFREY BRISCOE P. E. # 17332 01/22/2020 Date



Total Volume at Station 11+50.00	
Cut Area	39.15
Fill Area	2.94
Cut Vol	67.07
Fill Vol	8.18
Cum Cut Vol	189.05
Cum Fill Vol	33.82
Net Vol	155.22



Total Volume at Station 11+75.75	
Cut Area	26.17
Fill Area	2.21
Cut Vol	21.52
Fill Vol	2.00
Cum Cut Vol	220.11
Cum Fill Vol	36.64
Net Vol	183.46

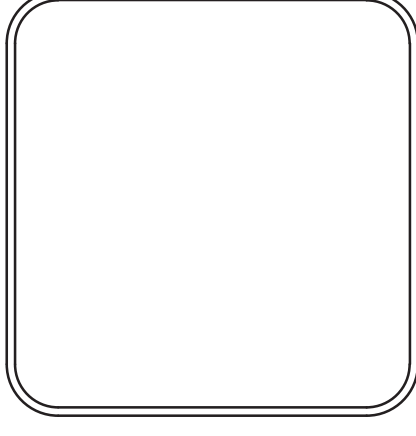


Total Volume at Station 12+15.95	
Cut Area	35.52
Fill Area	3.43
Cut Vol	18.05
Fill Vol	4.28
Cum Cut Vol	261.38
Cum Fill Vol	46.89
Net Vol	214.49

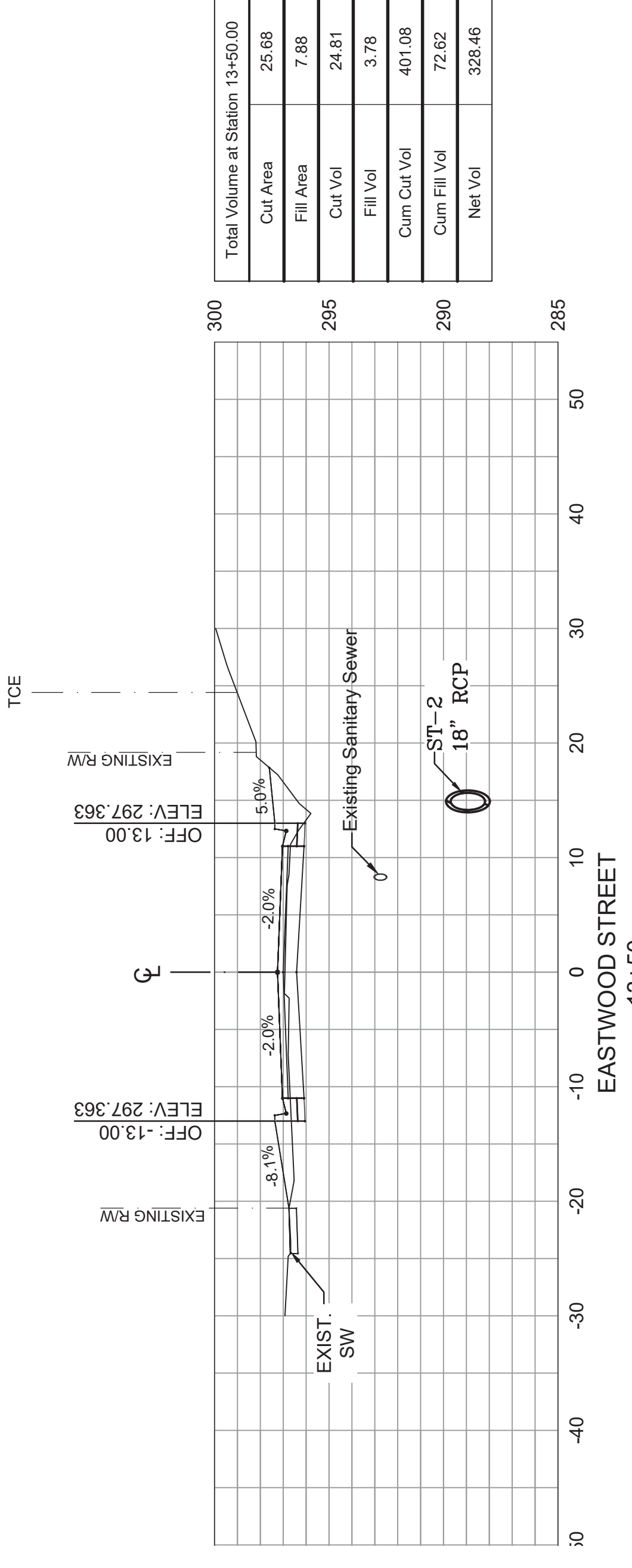
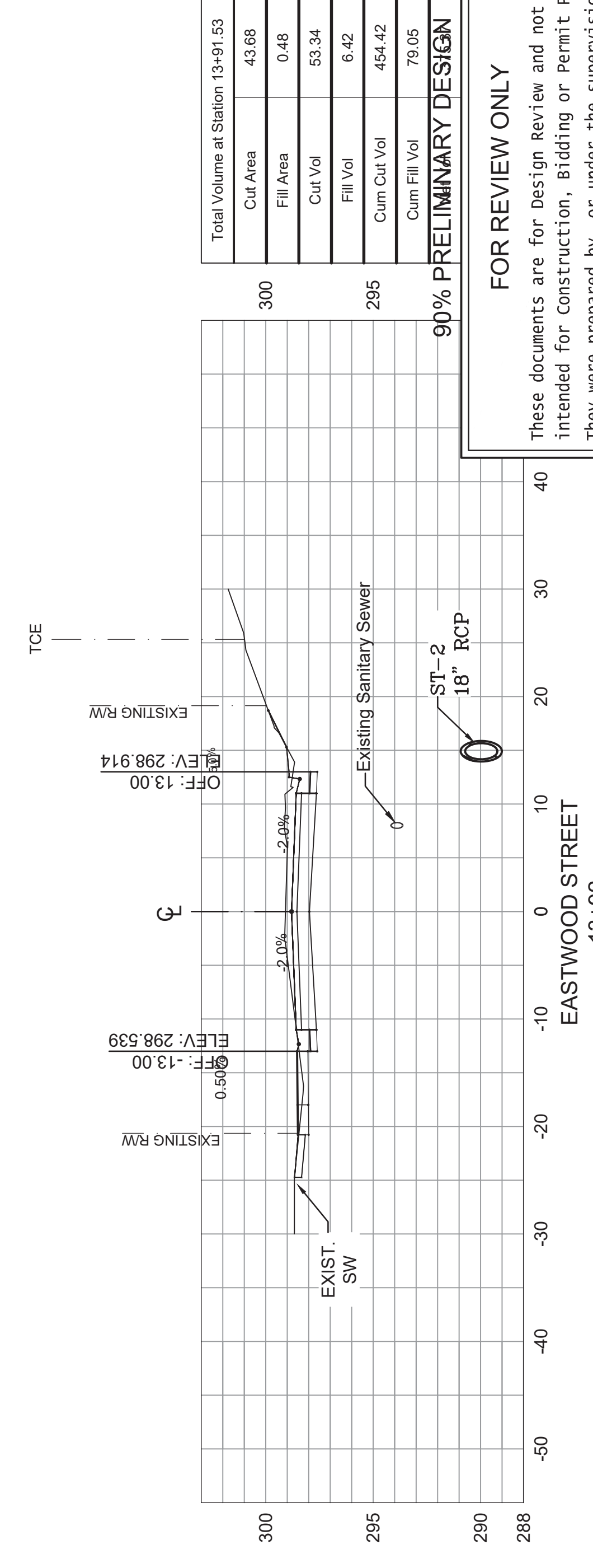
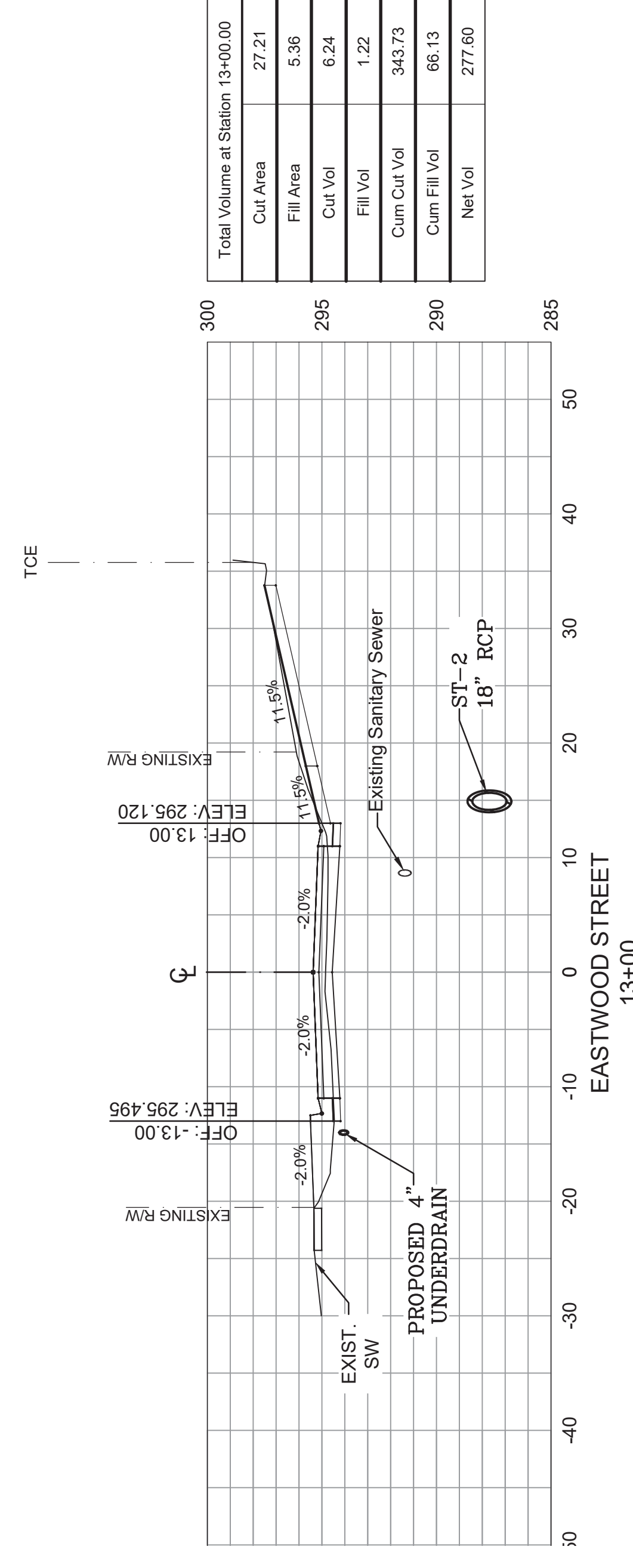
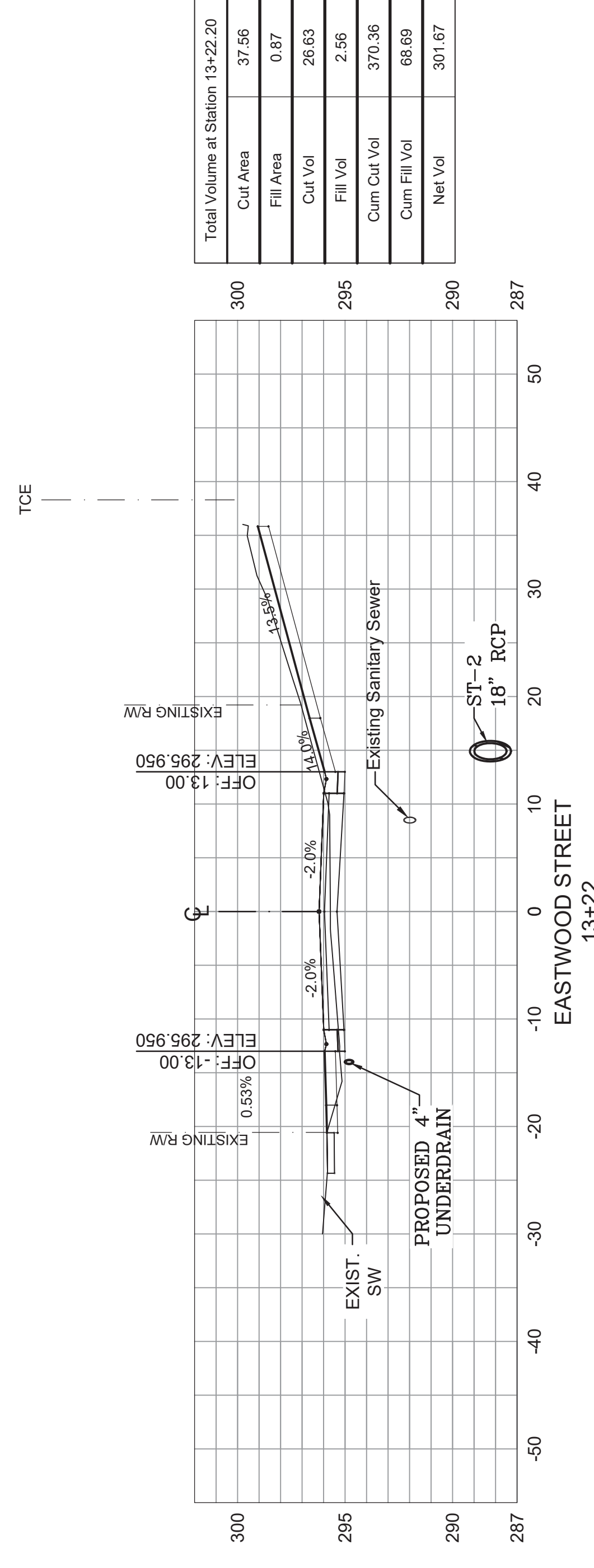
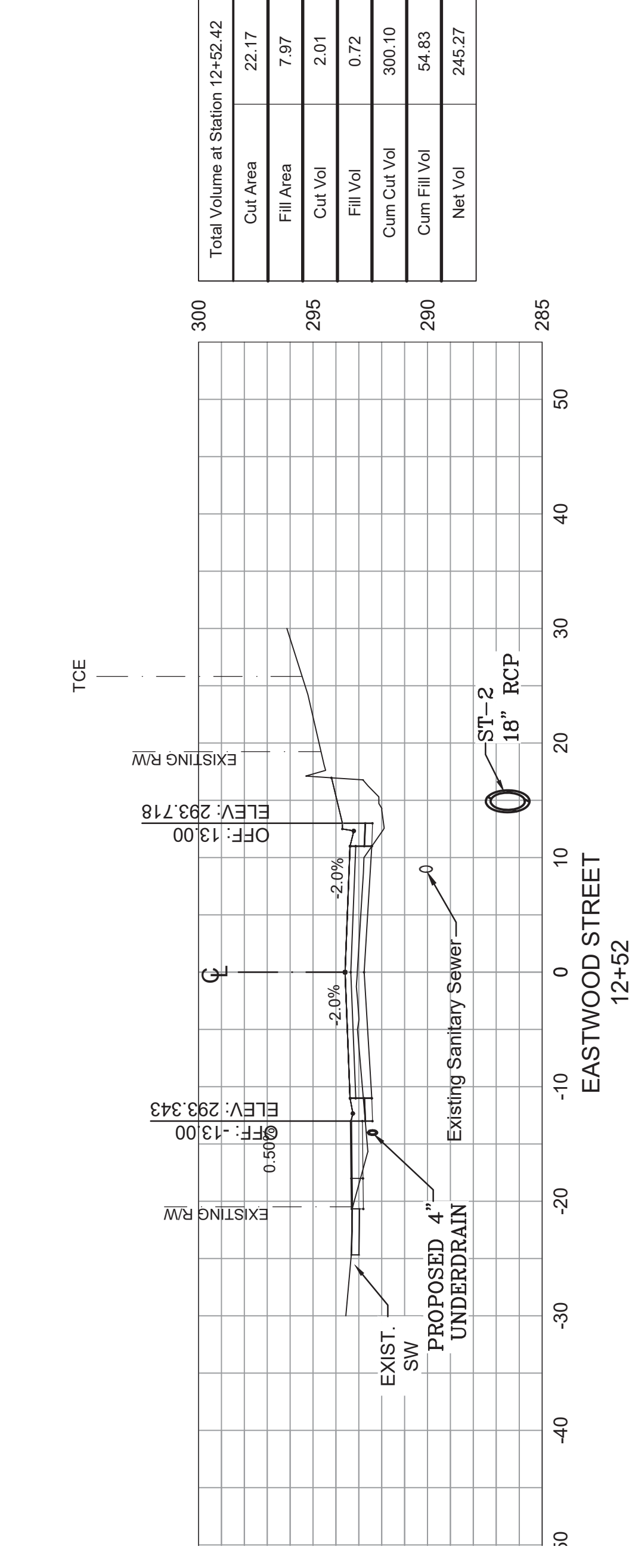
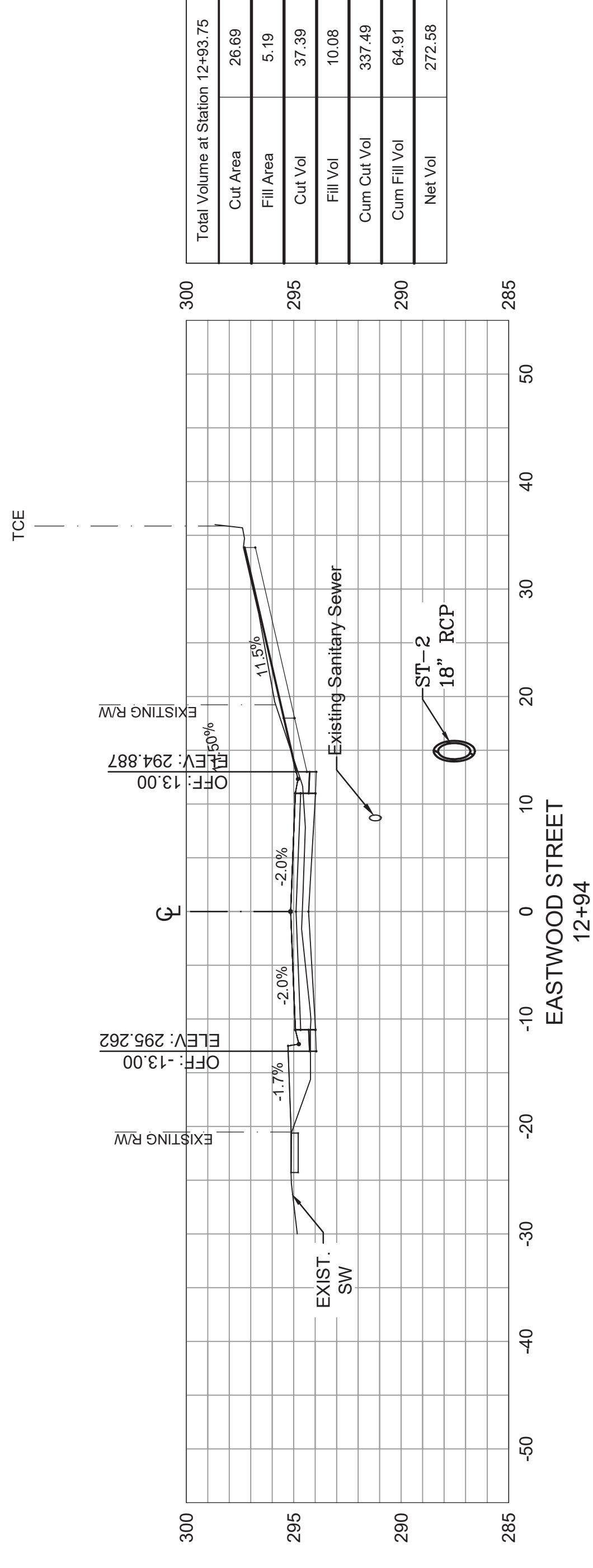
REVISIONS	DATE

CITY OF LITTLE ROCK, ARKANSAS
EASTWOOD STREET RECONSTRUCTION
90% PRELIMINARY DESIGN
CROSS SECTIONS (SHEET 3 OF 6)

DEPARTMENT OF PUBLIC WORKS
CIVIL ENGINEERING
701 W. MARKHAM
LITTLE ROCK, ARKANSAS 72201



DRAWN BY
KWS
DESIGNED
BCJ
CHECKED
JEB
DATE
01/22/2020
SCALE
1" = 10'
PROJECT NO.
07-17-ST-293
SHEET NO.
C8

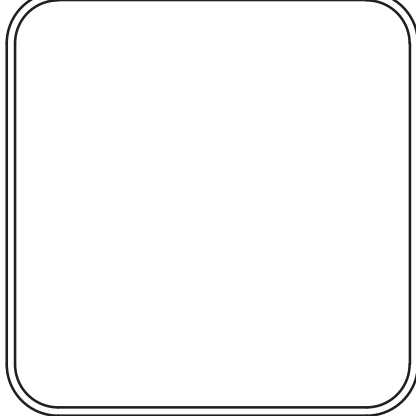


FOR REVIEW ONLY
 These documents are for Design Review and not intended for Construction, Bidding or Permit Purposes. They were prepared by, or under the supervision of:
JEFFREY BRISCOE P. E. # 17332 01/22/2020 Date

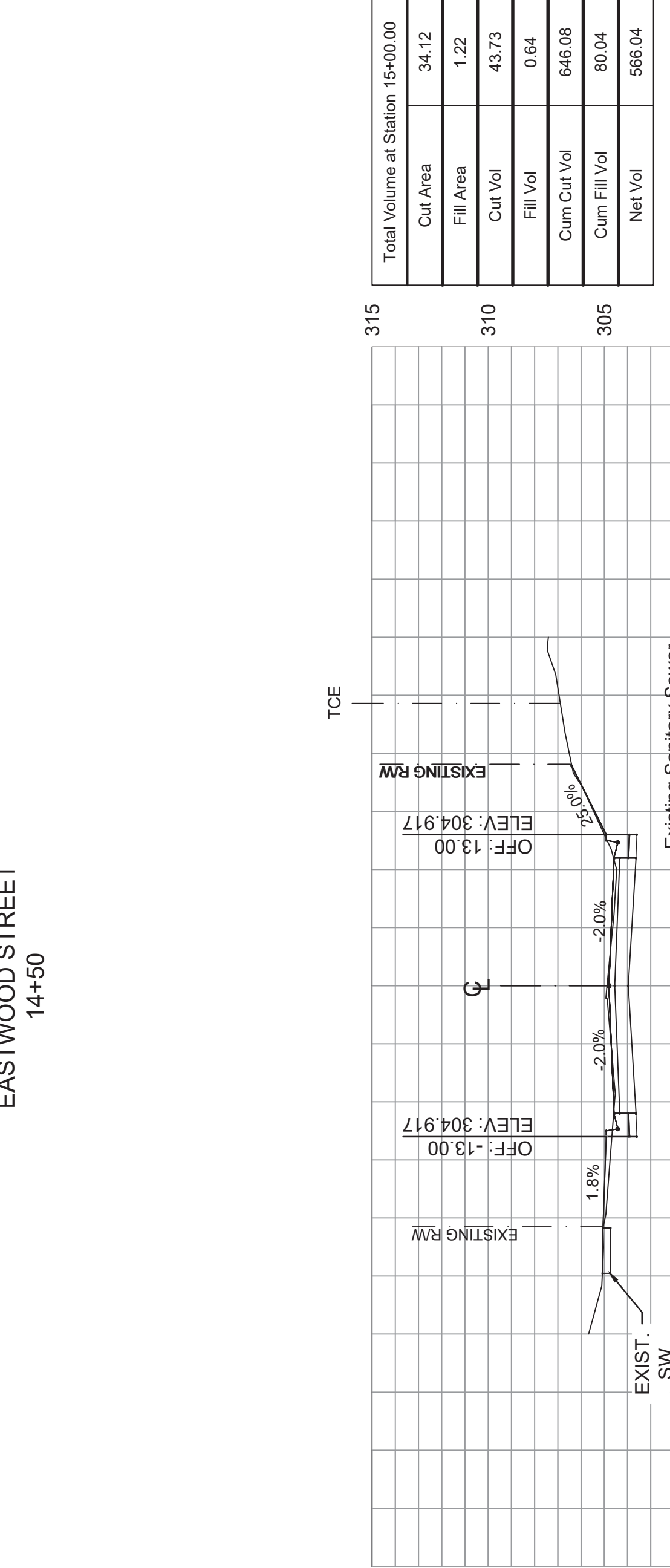
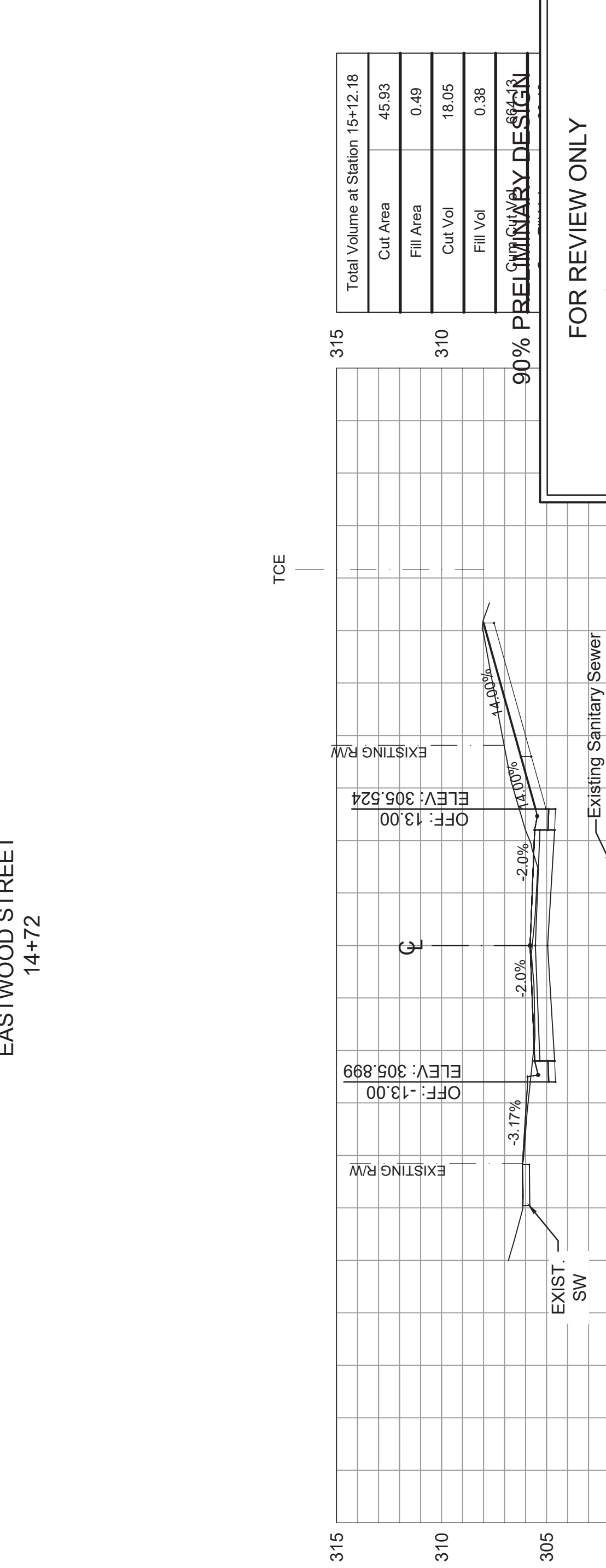
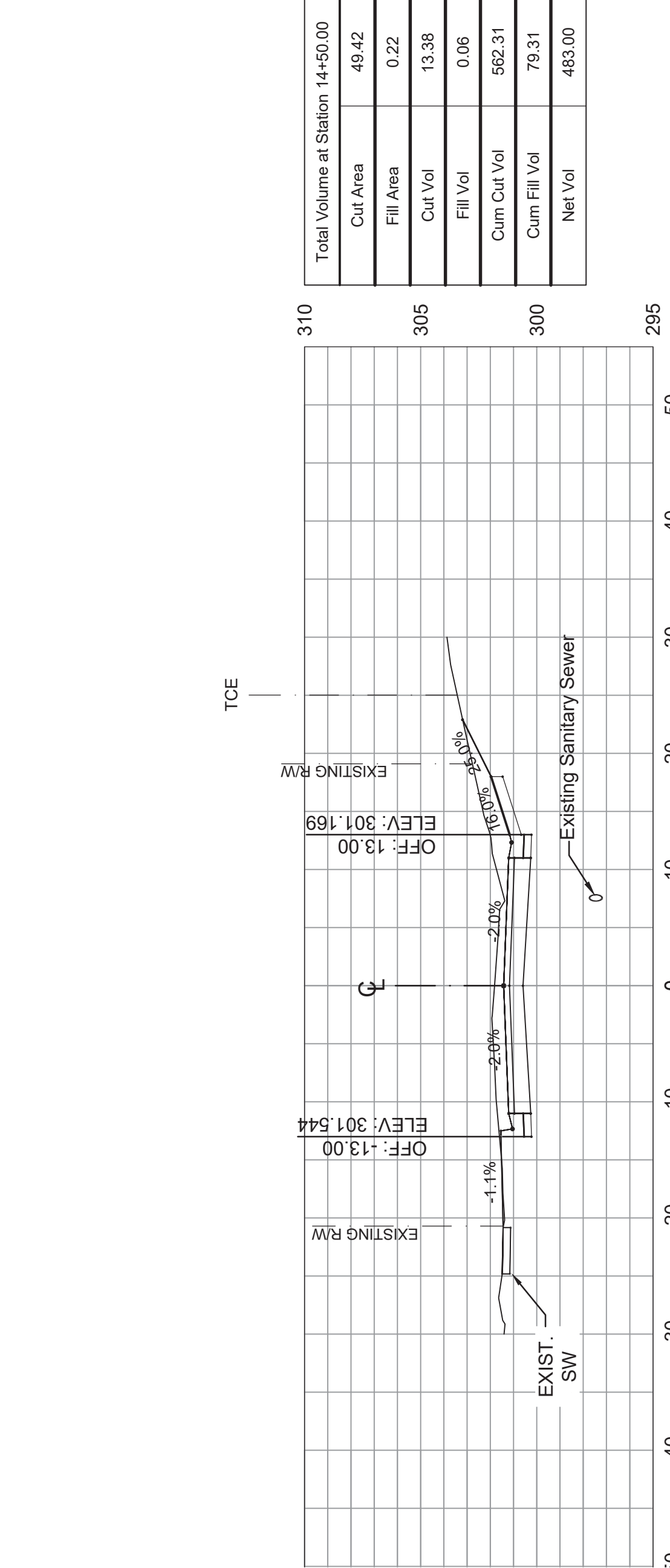
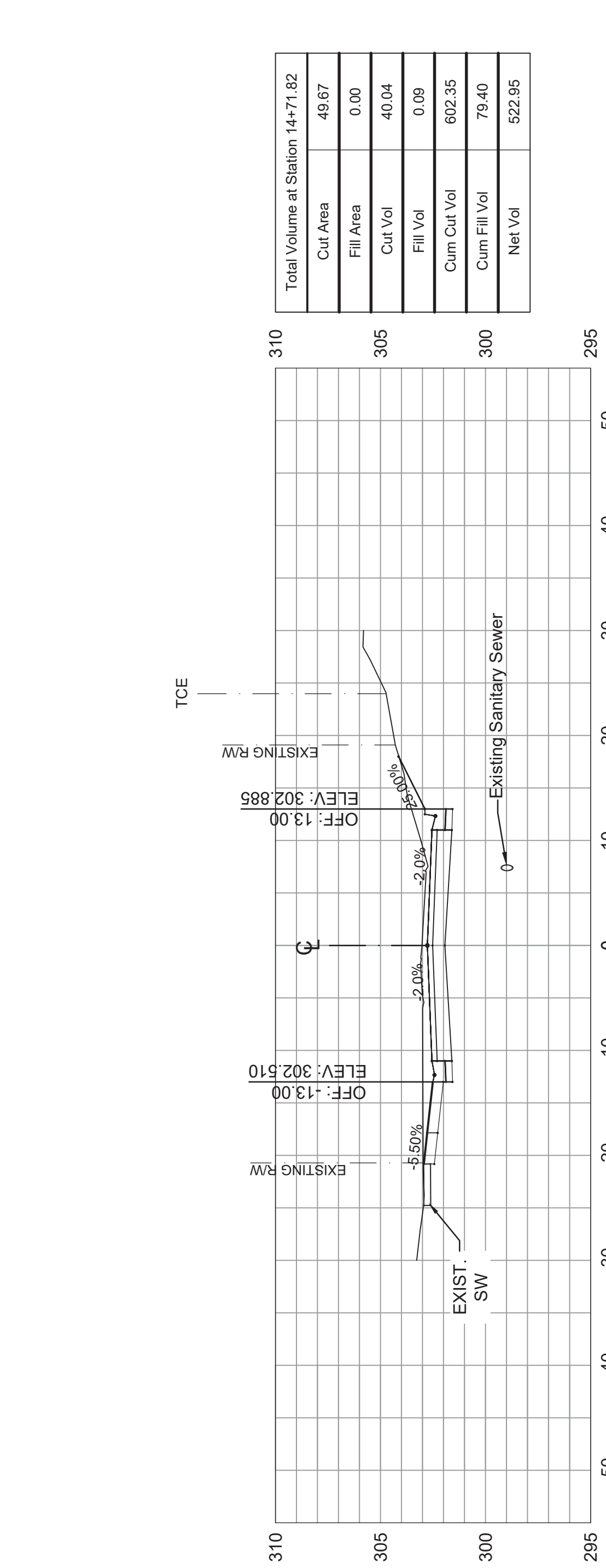
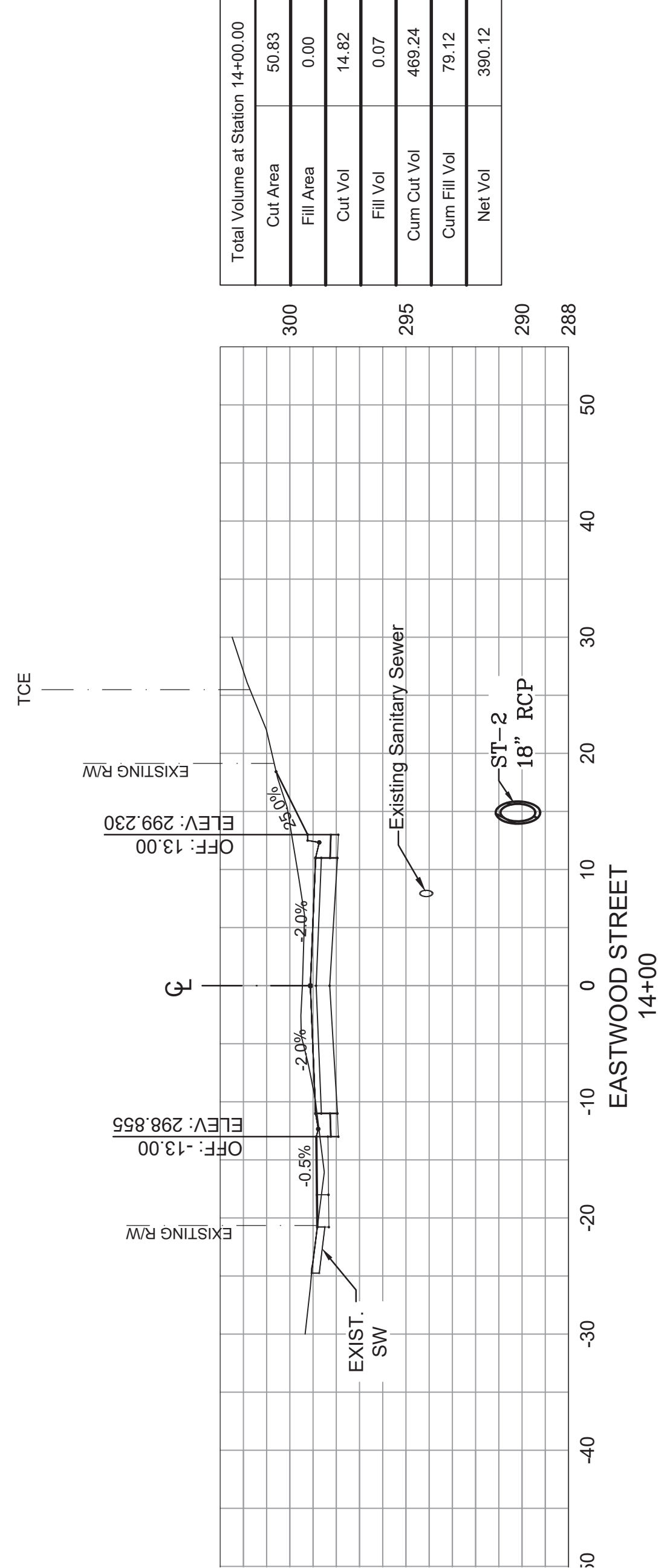
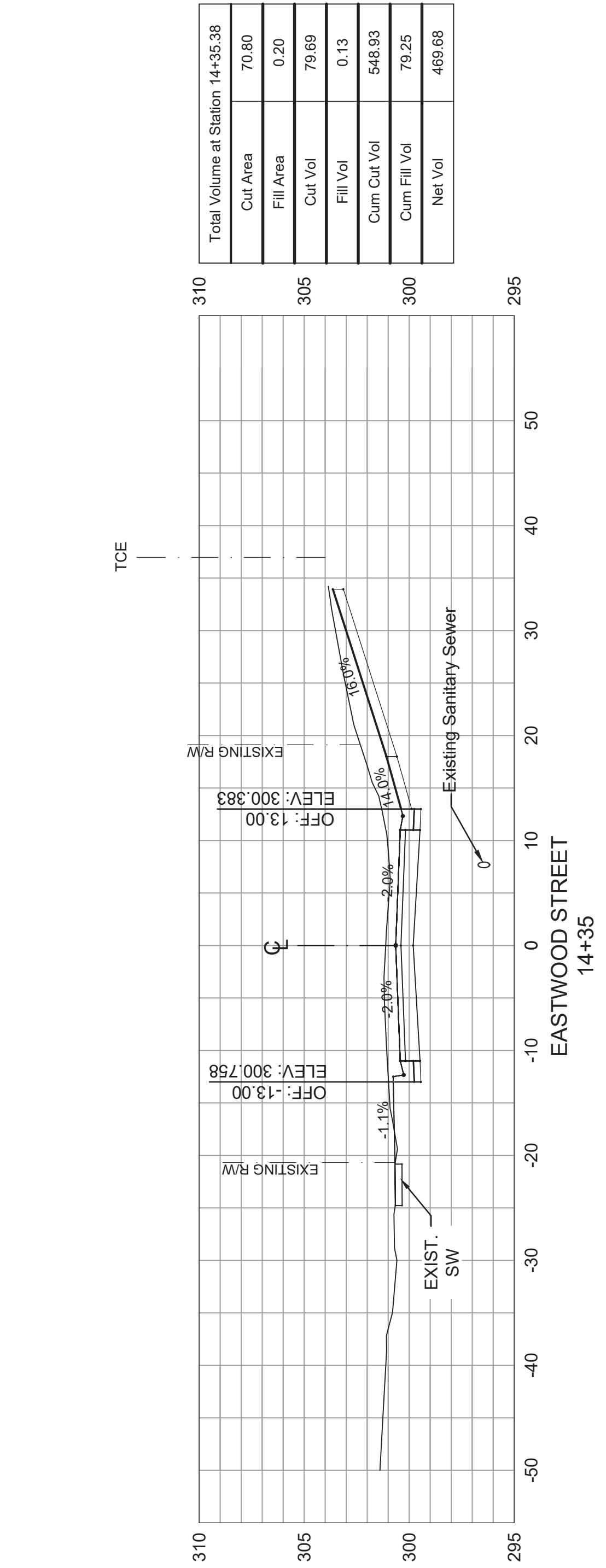
REVISIONS	DATE

CITY OF LITTLE ROCK, ARKANSAS
EASTWOOD STREET RECONSTRUCTION
90% PRELIMINARY DESIGN
CROSS SECTIONS (SHEET 4 OF 6)

DEPARTMENT OF PUBLIC WORKS
CIVIL ENGINEERING
701 W. MARKHAM
LITTLE ROCK, ARKANSAS 72201



DRAWN BY
KWS
DESIGNED
BCJ
CHECKED
JEB
DATE
01/22/2020
SCALE
1" = 10'
PROJECT NO.
07-17-ST-293
SHEET NO.
C9

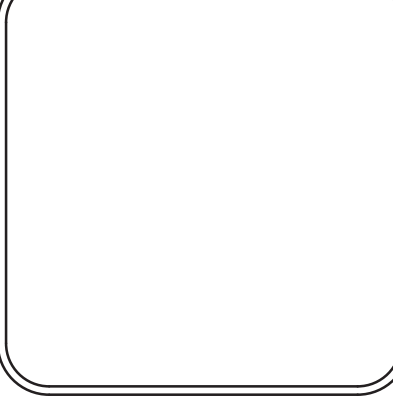


FOR REVIEW ONLY
 These documents are for Design Review and not intended for Construction, Bidding or Permit Purposes. They were prepared by, or under the supervision of:
JEFFREY BRISCOE P. E. # 17332 01/22/2020
 Date

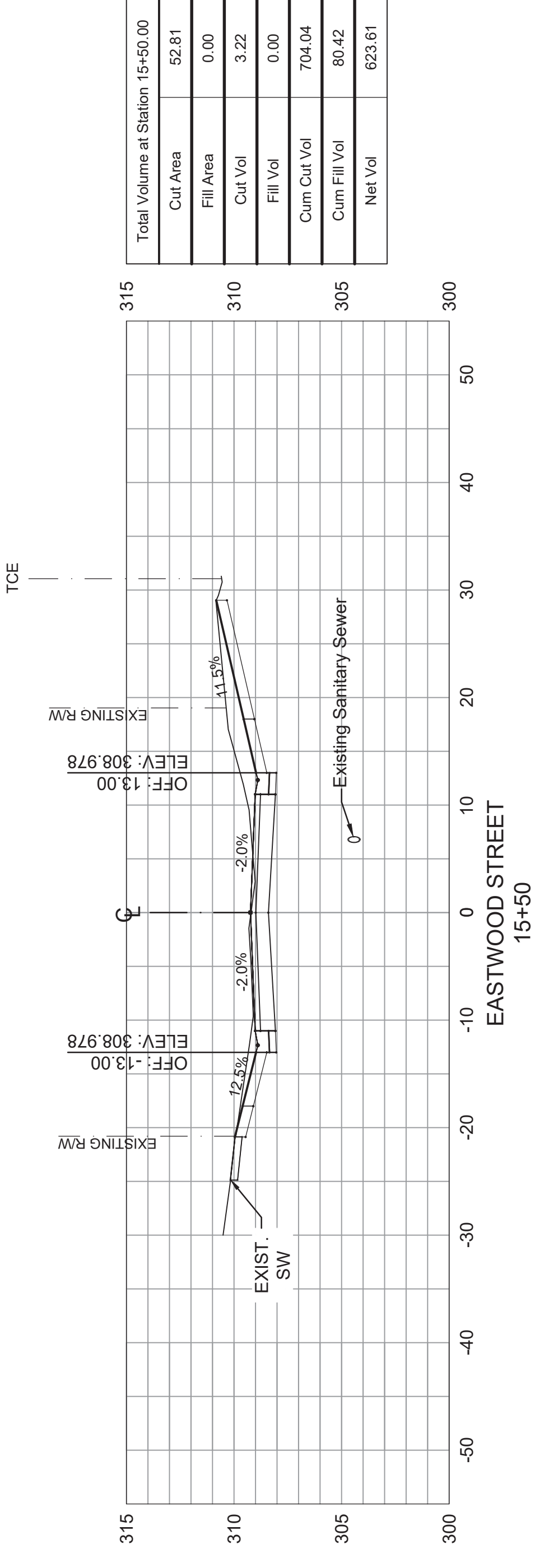
REVISIONS	DATE

CITY OF LITTLE ROCK, ARKANSAS
EASTWOOD STREET RECONSTRUCTION
90% PRELIMINARY DESIGN
CROSS SECTIONS (SHEET 5 OF 6)

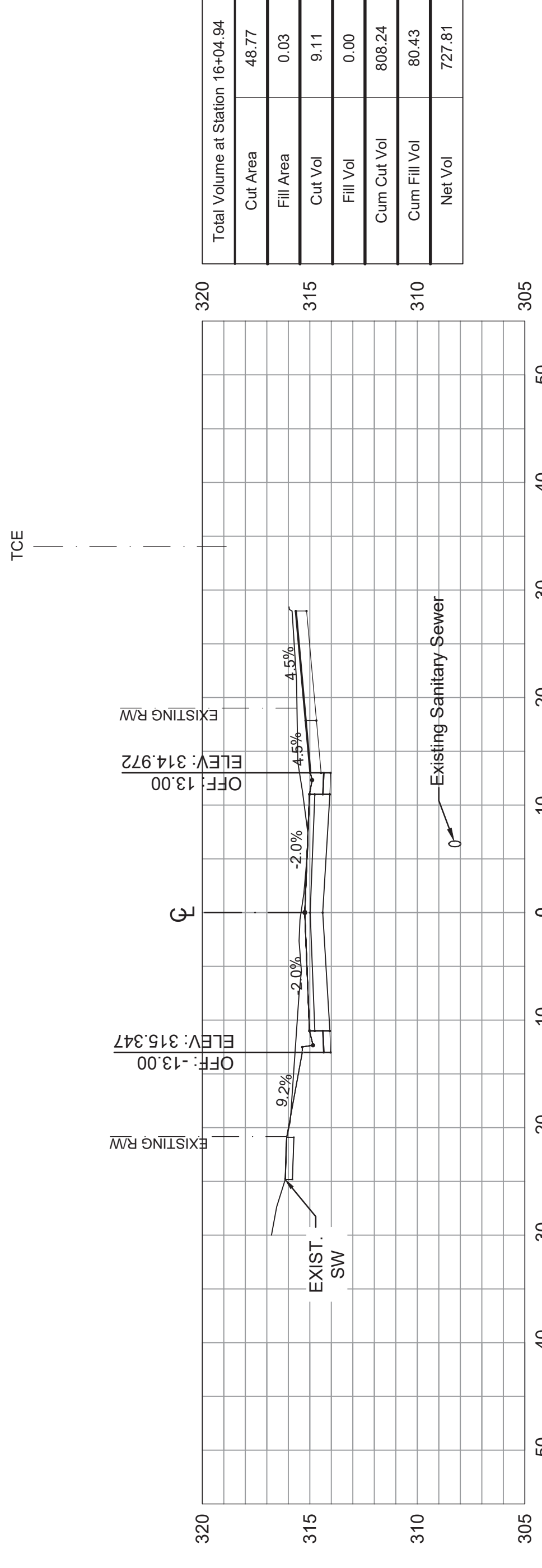
DEPARTMENT OF PUBLIC WORKS
CIVIL ENGINEERING
701 W. MARKHAM
LITTLE ROCK, ARKANSAS 72201



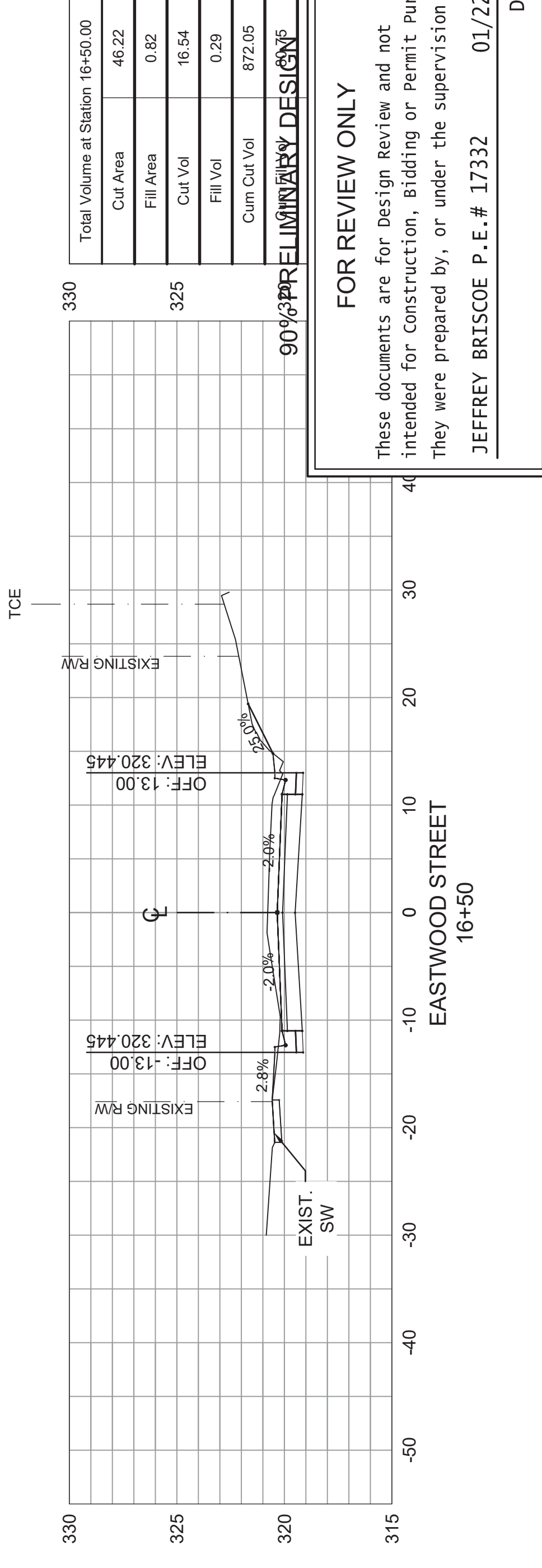
DRAWN BY
KWS
DESIGNED
BCJ
CHECKED
JEB
DATE
01/22/2020
SCALE
1" = 10'
PROJECT NO.
07-17-ST-293
SHEET NO.
C10



Total Volume at Station 15+50.00	
Cut Area	52.81
Fill Area	0.00
Cut Vol	3.22
Fill Vol	0.00
Cum Cut Vol	704.04
Cum Fill Vol	80.42
Net Vol	623.61



Total Volume at Station 16+04.94	
Cut Area	48.77
Fill Area	0.03
Cut Vol	9.11
Fill Vol	0.00
Cum Cut Vol	808.24
Cum Fill Vol	80.43
Net Vol	727.81

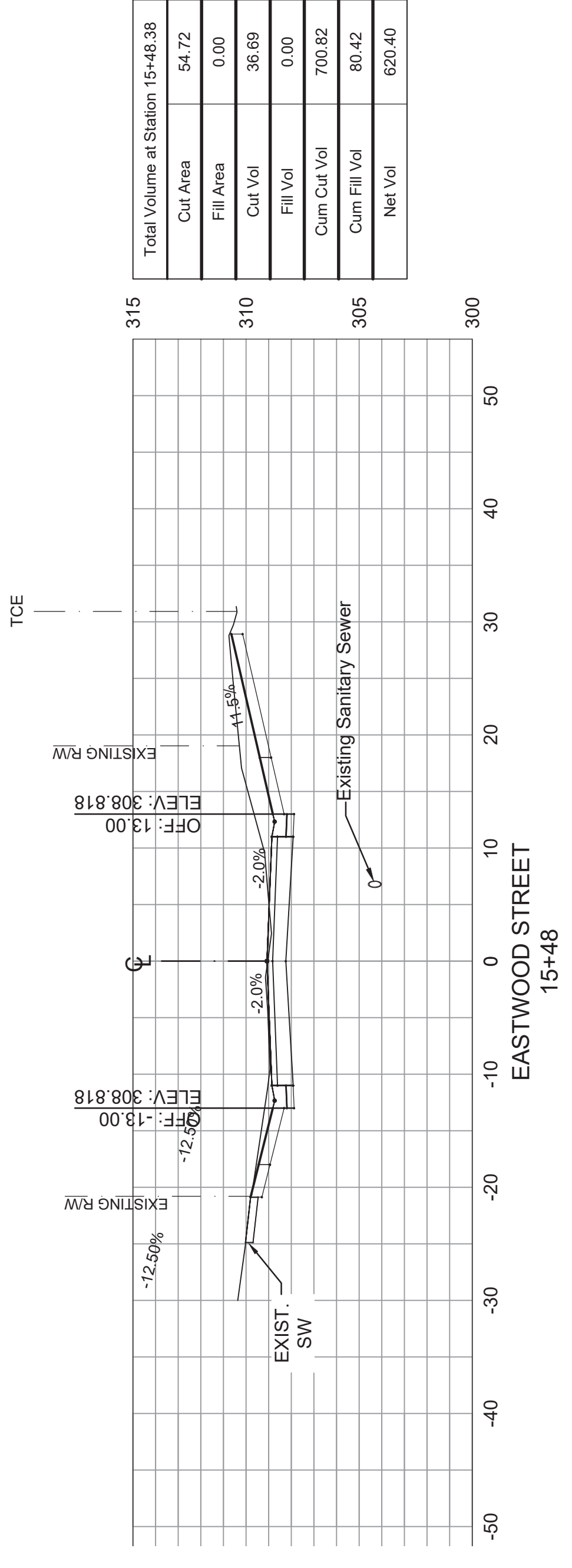


Total Volume at Station 16+50.00	
Cut Area	46.22
Fill Area	0.82
Cut Vol	16.54
Fill Vol	0.29
Cum Cut Vol	872.05

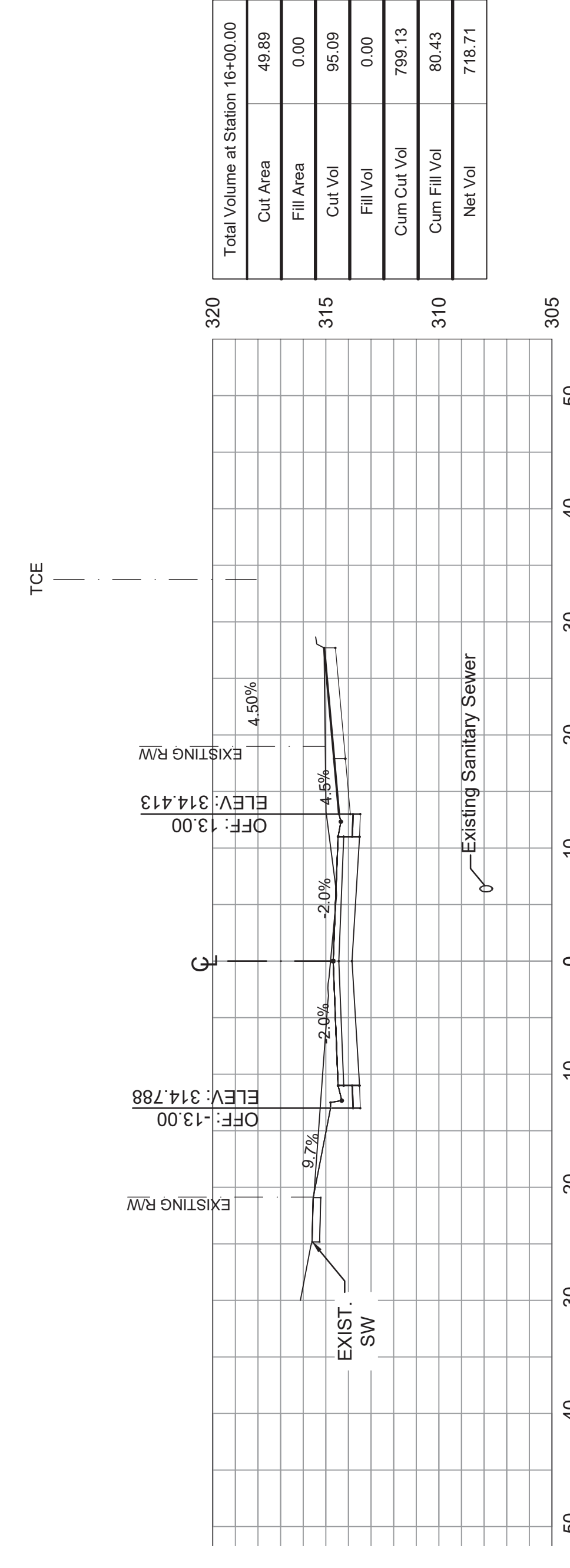
90% PRELIMINARY DESIGN

FOR REVIEW ONLY

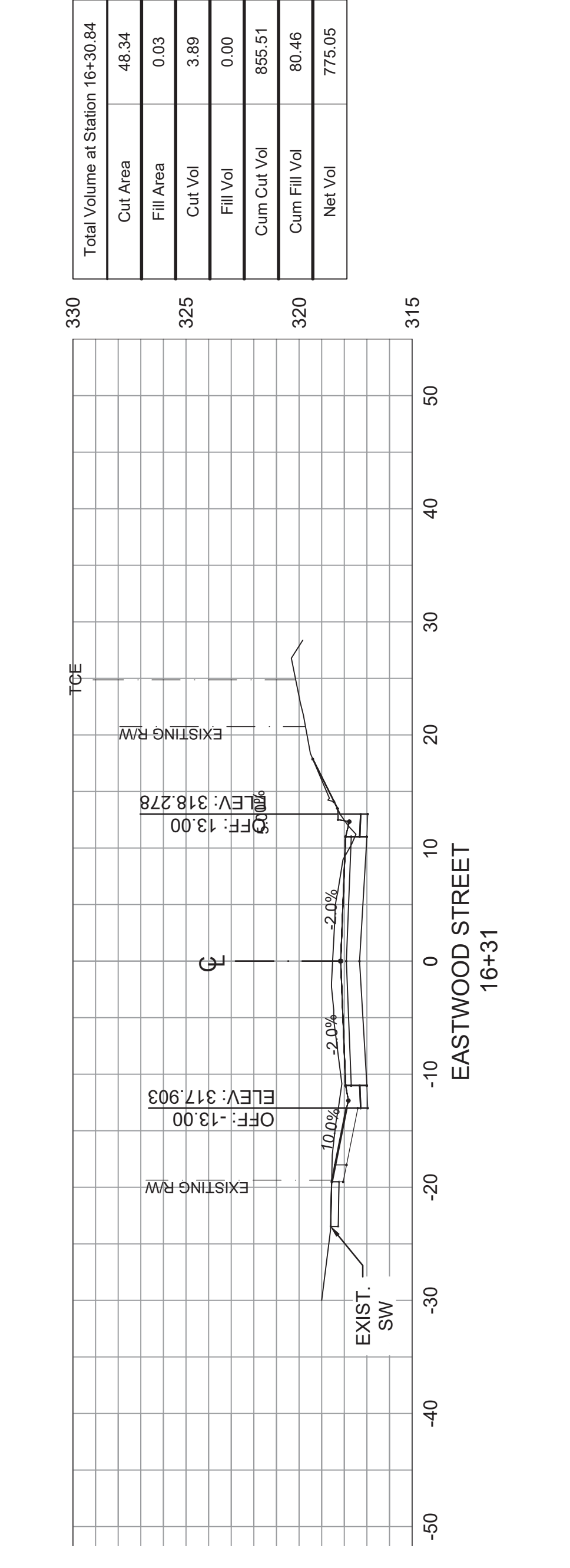
These documents are for Design Review and not intended for Construction, Bidding or Permit Purposes. They were prepared by, or under the supervision of:
JEFFREY BRISCOE P. E. # 17332 01/22/2020
 Date



Total Volume at Station 15+48.38	
Cut Area	54.72
Fill Area	0.00
Cut Vol	36.69
Fill Vol	0.00
Cum Cut Vol	700.82
Cum Fill Vol	80.42
Net Vol	620.40



Total Volume at Station 16+00.00	
Cut Area	49.89
Fill Area	0.00
Cut Vol	95.09
Fill Vol	0.00
Cum Cut Vol	798.13
Cum Fill Vol	80.43
Net Vol	718.71

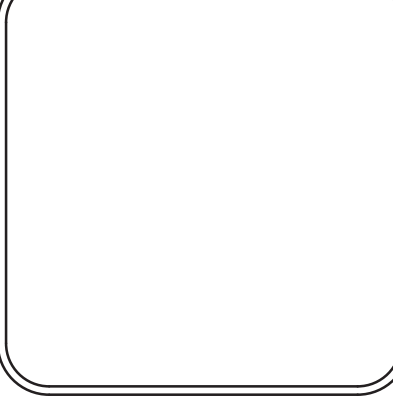


Total Volume at Station 16+30.64	
Cut Area	48.34
Fill Area	0.03
Cut Vol	3.89
Fill Vol	0.00
Cum Cut Vol	855.51
Cum Fill Vol	80.46
Net Vol	775.05

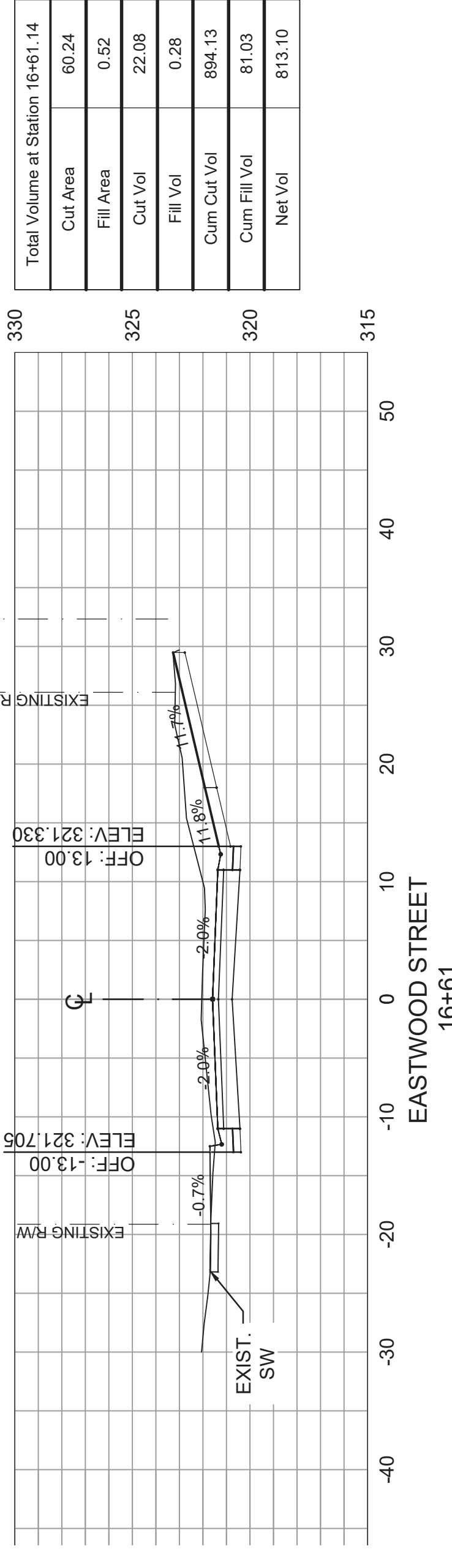
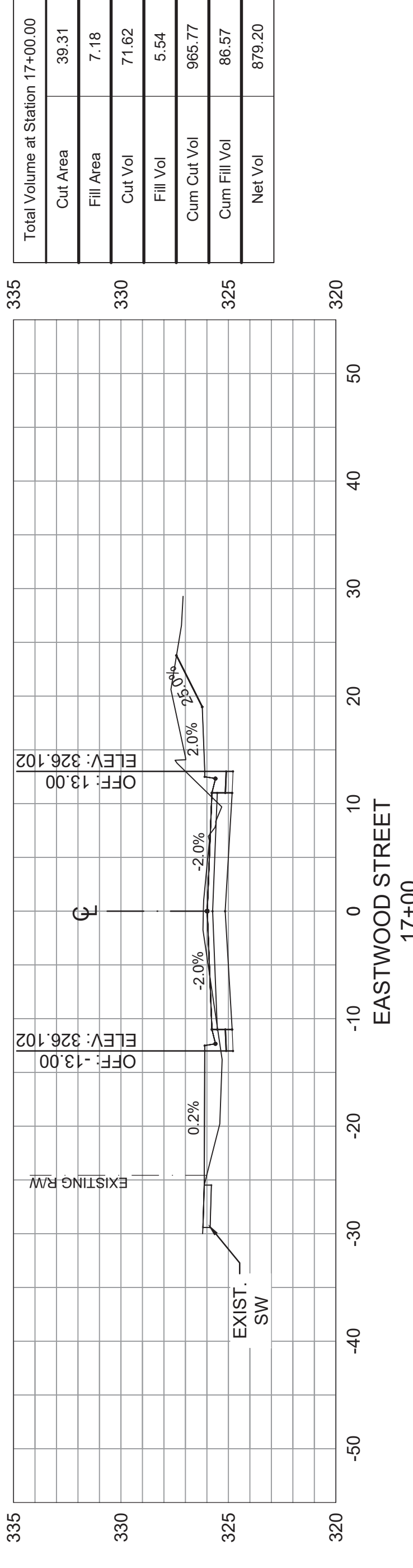
REVISIONS	DATE

CITY OF LITTLE ROCK, ARKANSAS
EASTWOOD STREET RECONSTRUCTION
90% PRELIMINARY DESIGN
CROSS SECTIONS (SHEET 6 OF 6)

DEPARTMENT OF PUBLIC WORKS
CIVIL ENGINEERING
701 W. MARKHAM
LITTLE ROCK, ARKANSAS 72201

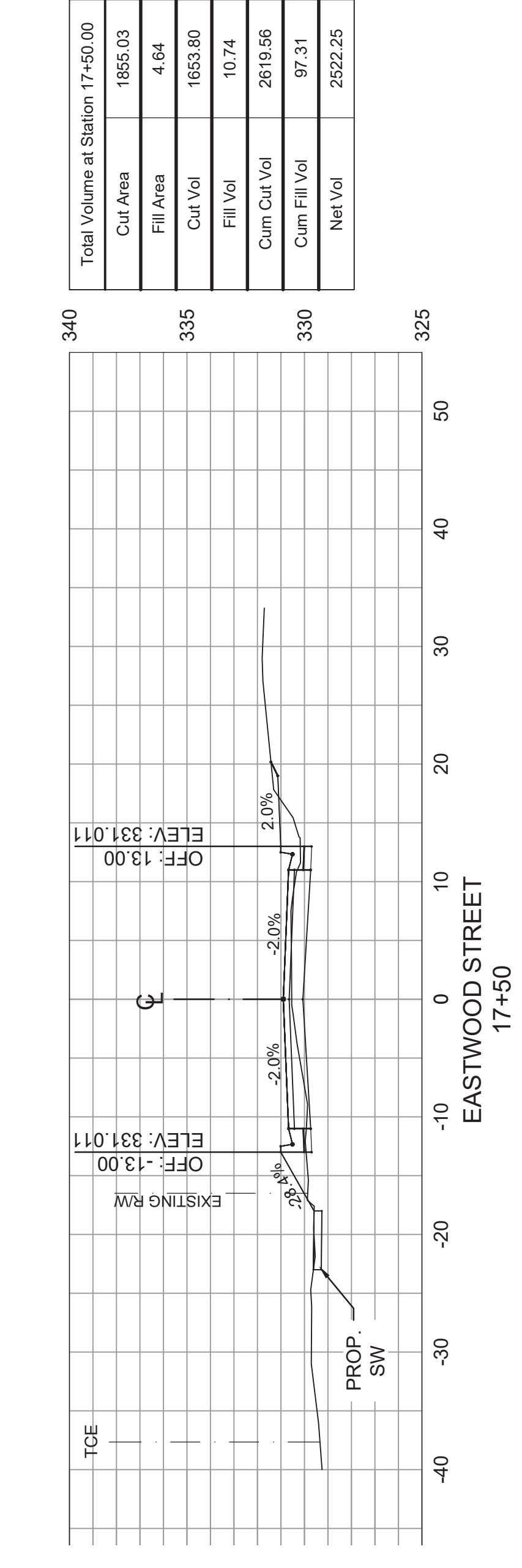
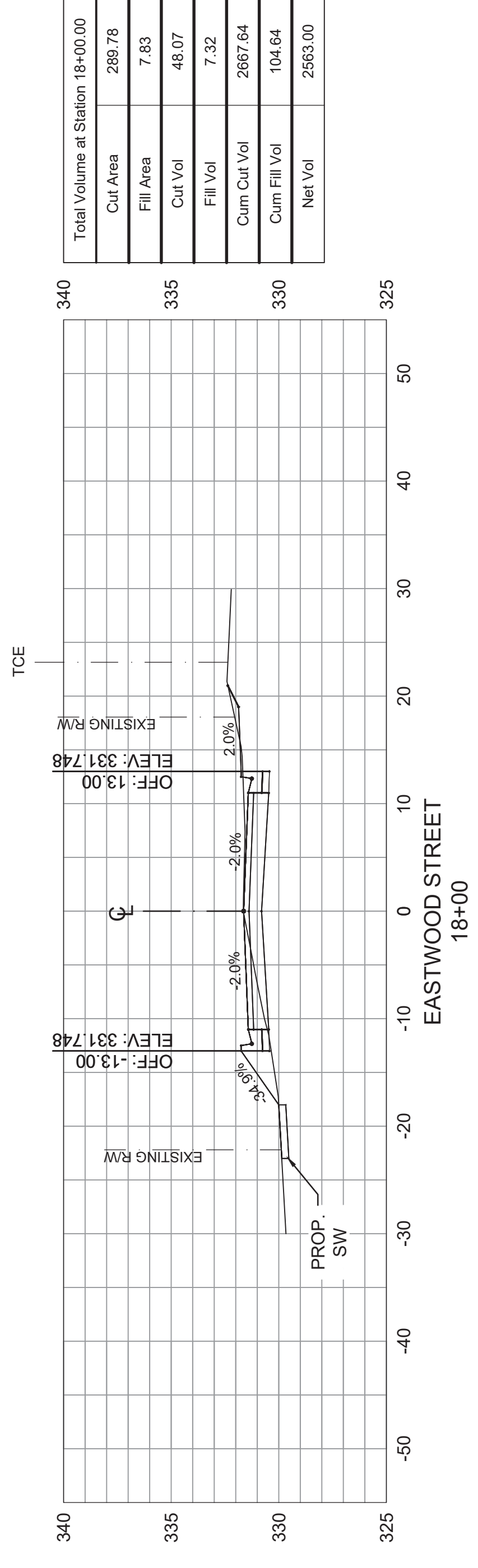


DRAWN BY
KWS
DESIGNED
BCJ
CHECKED
JEB
DATE
01/22/2020
SCALE
1"=10'
PROJECT NO.
07-17-ST-293
SHEET NO.
C11



Total Volume at Station 17+00.00	
Cut Area	39.31
Fill Area	7.18
Cut Vol	71.62
Fill Vol	5.54
Cum Cut Vol	965.77
Cum Fill Vol	86.57
Net Vol	879.20

Total Volume at Station 16+61.14	
Cut Area	60.24
Fill Area	0.52
Cut Vol	22.08
Fill Vol	0.28
Cum Cut Vol	884.13
Cum Fill Vol	81.03
Net Vol	813.10



Total Volume at Station 18+00.00	
Cut Area	266.78
Fill Area	7.83
Cut Vol	48.07
Fill Vol	7.32
Cum Cut Vol	2667.64
Cum Fill Vol	104.64
Net Vol	2563.00

Total Volume at Station 17+50.00	
Cut Area	1855.03
Fill Area	4.64
Cut Vol	1653.80
Fill Vol	10.74
Cum Cut Vol	2619.56
Cum Fill Vol	97.31
Net Vol	2522.25



90% PRELIMINARY DESIGN

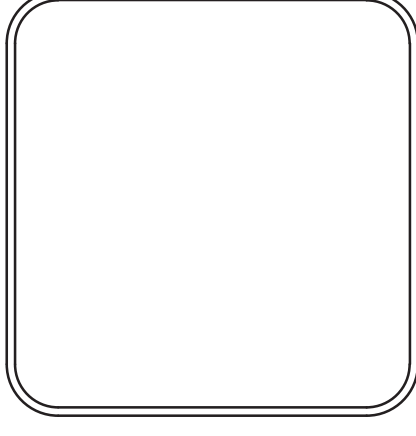
FOR REVIEW ONLY

These documents are for Design Review and not intended for Construction, Bidding or Permit Purposes. They were prepared by, or under the supervision of:
JEFFREY BRISCOE P.E.# 17332 01/22/2020
 Date

REVISIONS	DATE

CITY OF LITTLE ROCK, ARKANSAS
 EASTWOOD STREET RECONSTRUCTION
 90% PRELIMINARY DESIGN
 DRIVEWAY DETAILS (SHEET 2 OF 3)

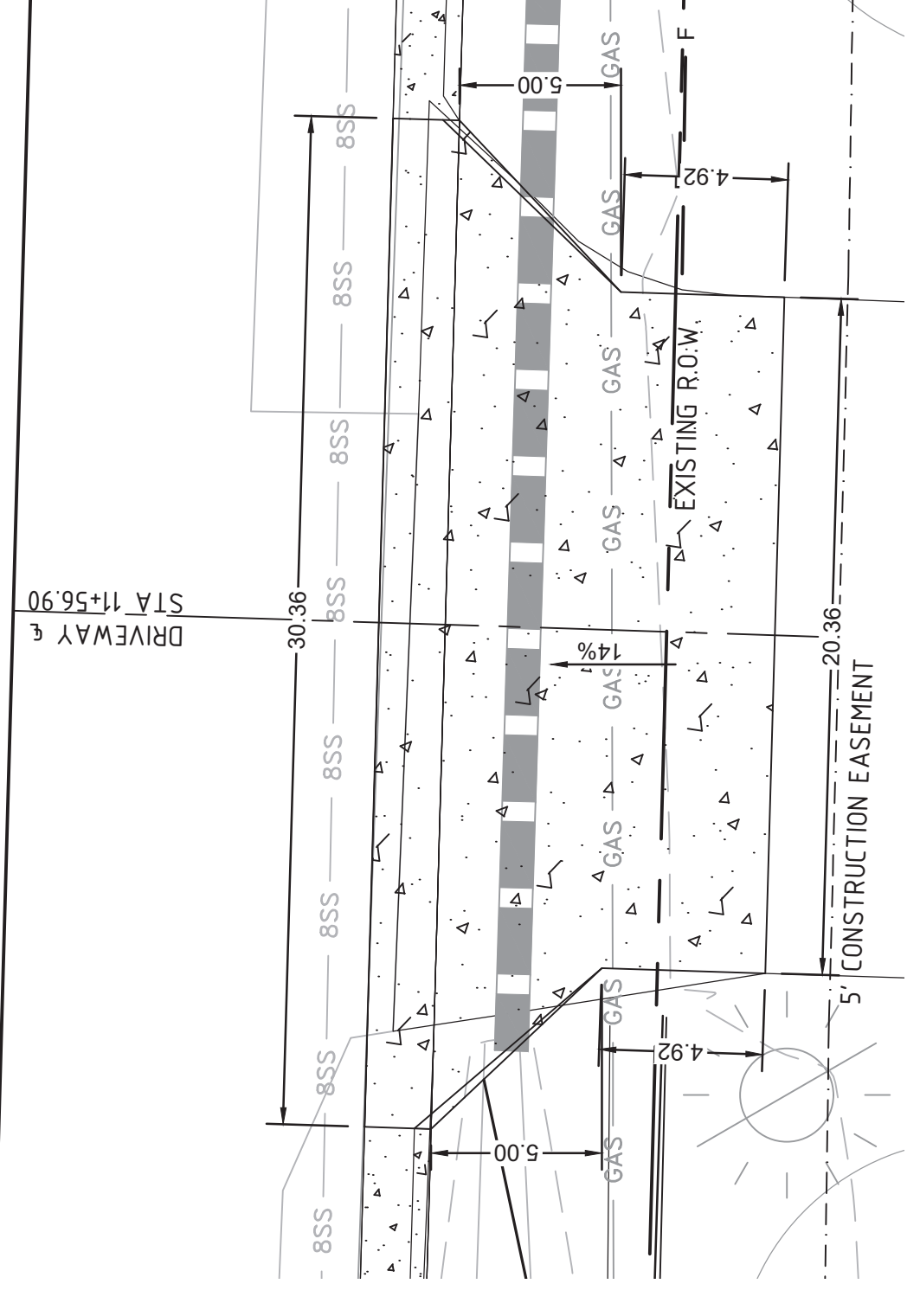
DEPARTMENT OF PUBLIC WORKS
 CIVIL ENGINEERING
 701 W. MARKHAM
 LITTLE ROCK, ARKANSAS 72201



DRAWN BY
 KWS
 DESIGNED
 BCJ
 CHECKED
 JEB
 DATE
 01/22/2020
 SCALE
 1" = 5'
 PROJECT NO.
 07-17-ST-293
 SHEET NO.
C13

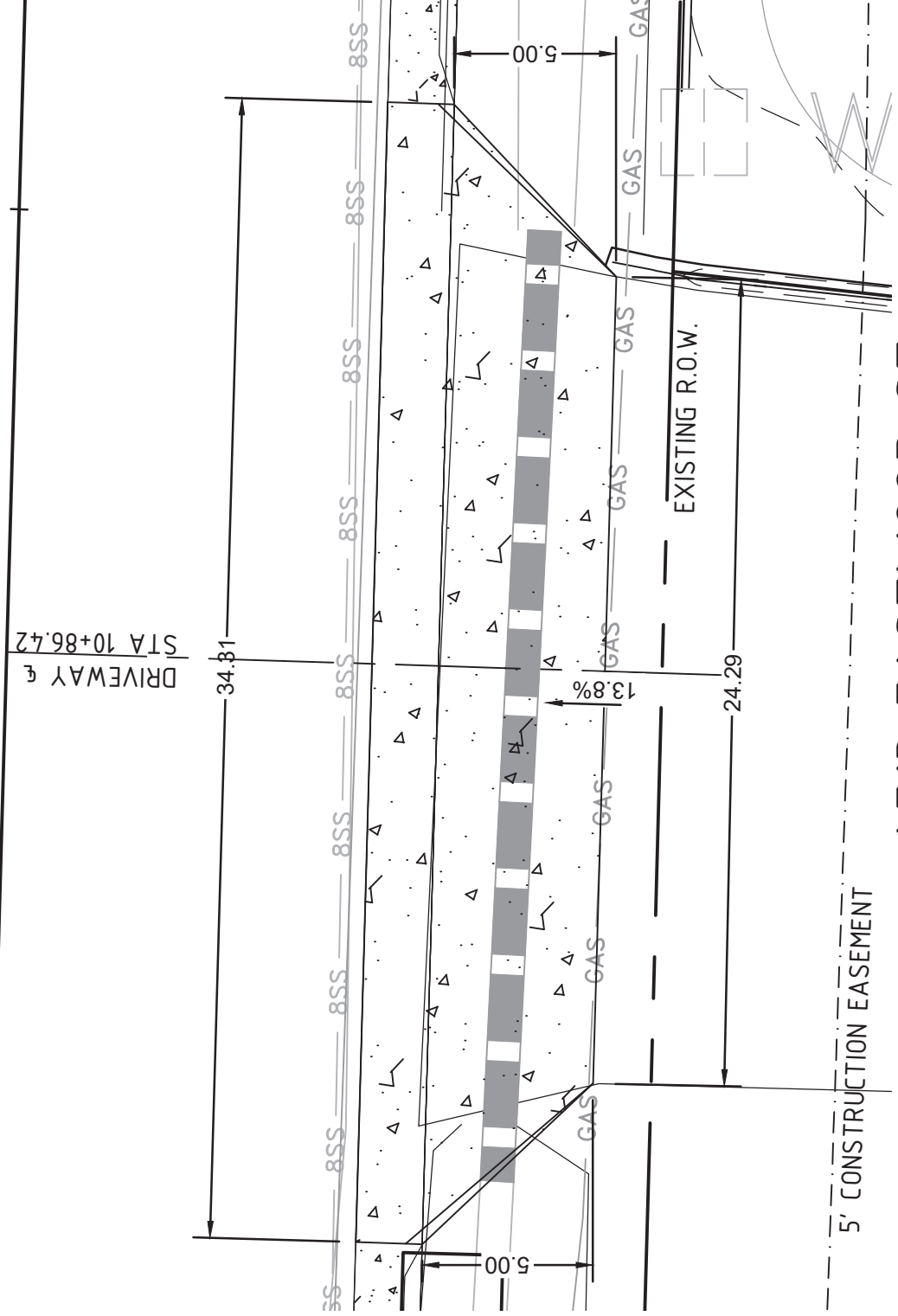


EASTWOOD STREET & 288 SF

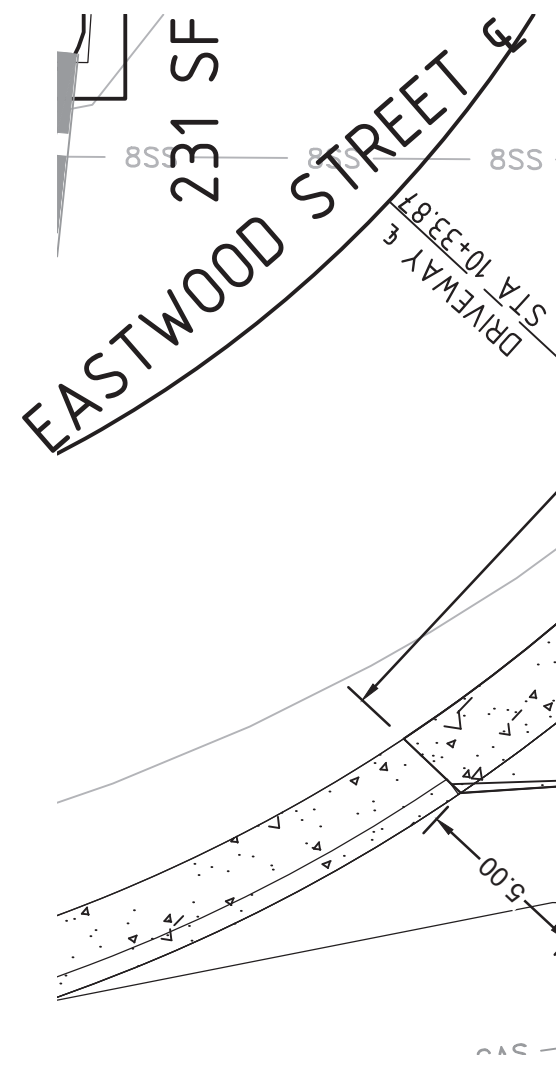


4709 EASTWOOD ST
 STA 11+56.90

EASTWOOD STREET & 215 SF



4713 EASTWOOD ST
 STA 10+86.42



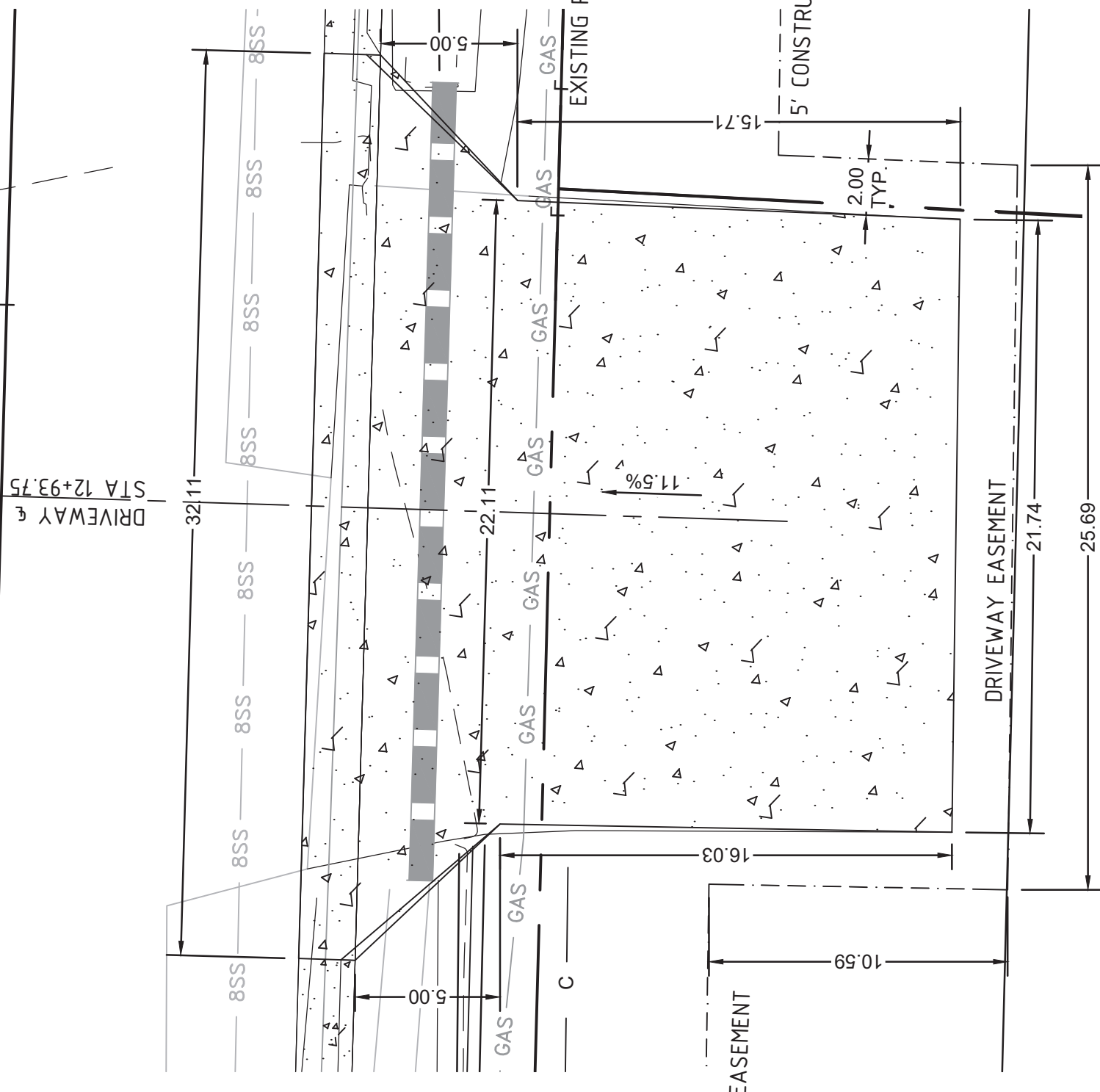
4713 EASTWOOD ST
 STA 10+33.87

EASTWOOD STREET & 313 SF



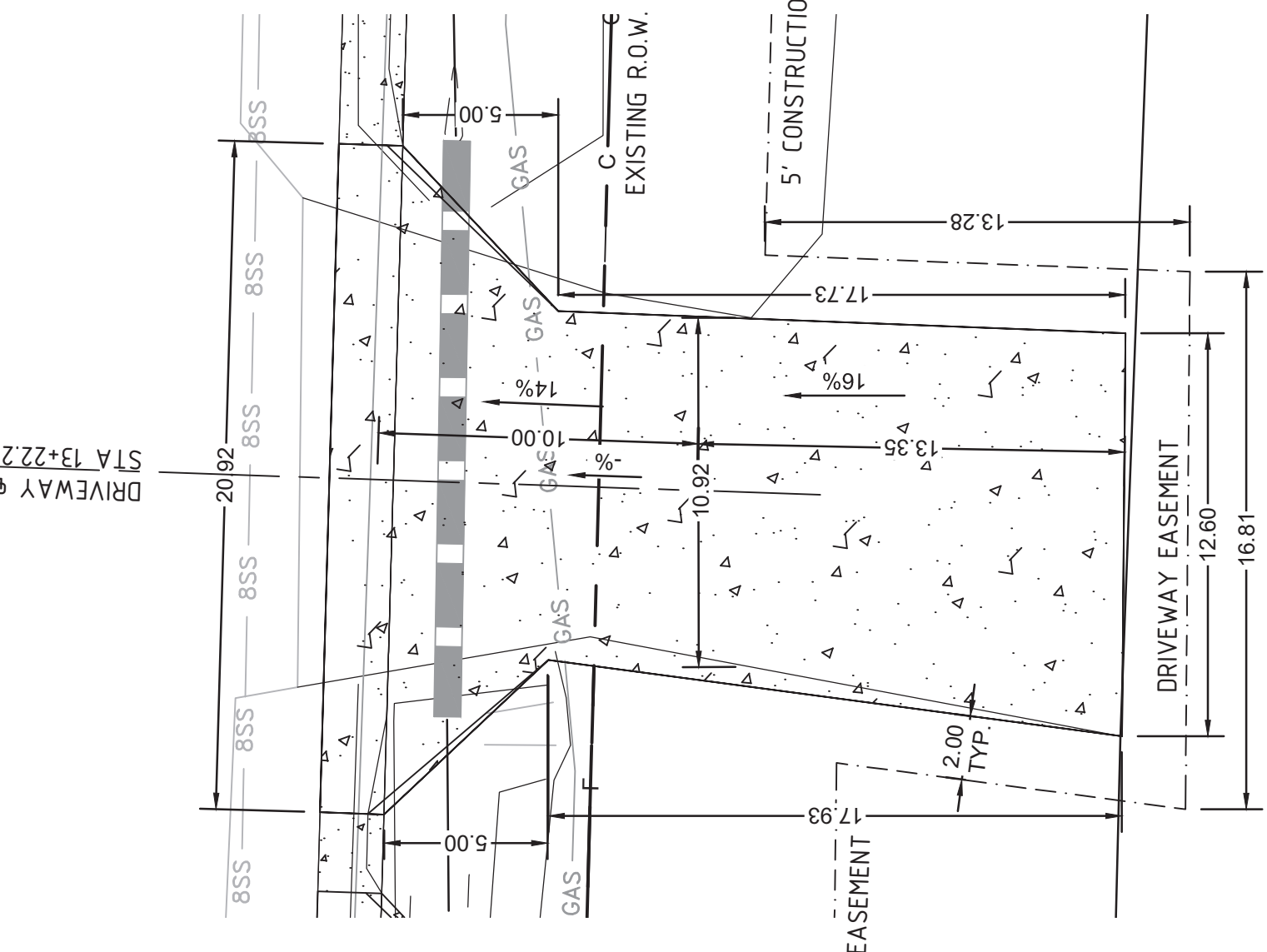
4709 EASTWOOD ST
 STA 12+15.95

EASTWOOD STREET & 548 SF



4621 EASTWOOD ST
 STA 12+93.75

EASTWOOD STREET & 332 SF



4617 EASTWOOD ST
 STA 13+22.20



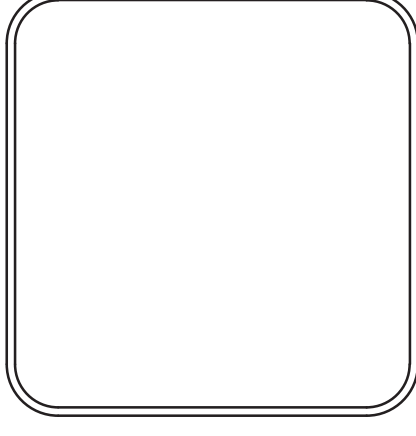
90% PRELIMINARY DESIGN

FOR REVIEW ONLY
 These documents are for Design Review and not intended for Construction, Bidding or Permit Purposes. They were prepared by, or under the supervision of:
 JEFFREY BRISCOE P.E.# 17332 01/22/2020
 Date

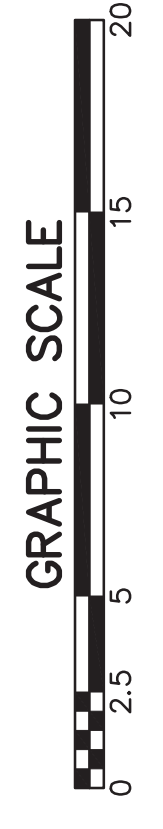
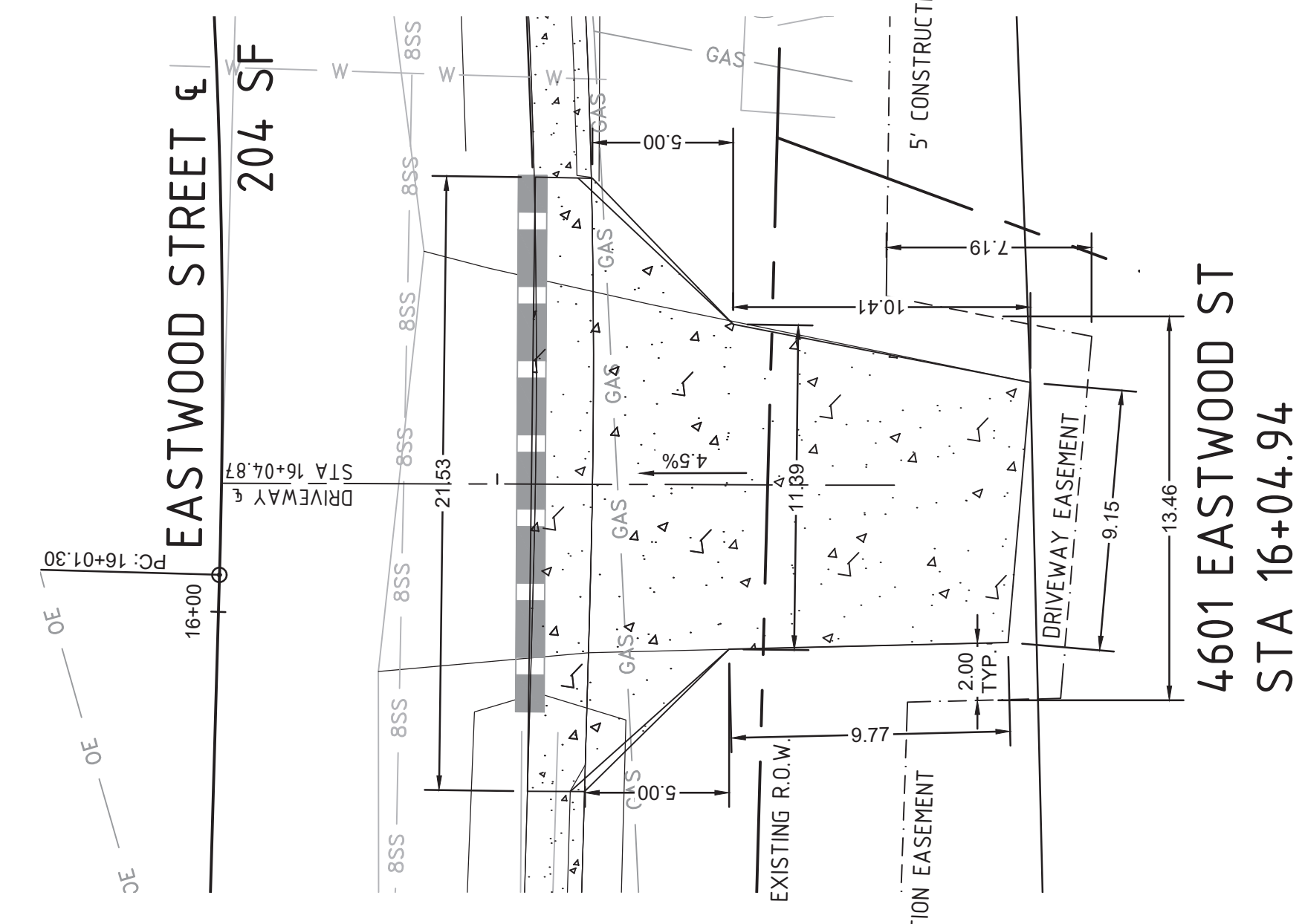
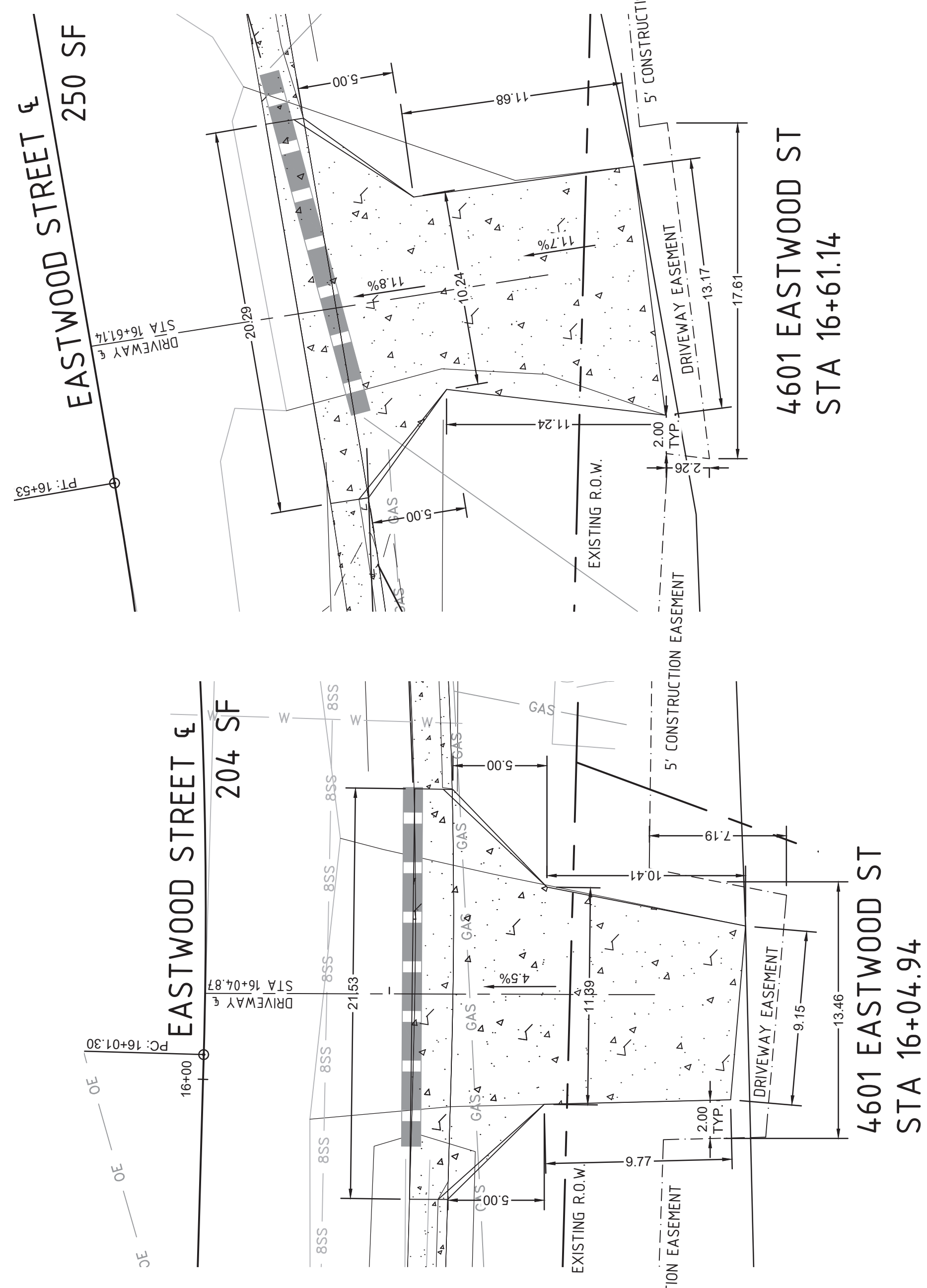
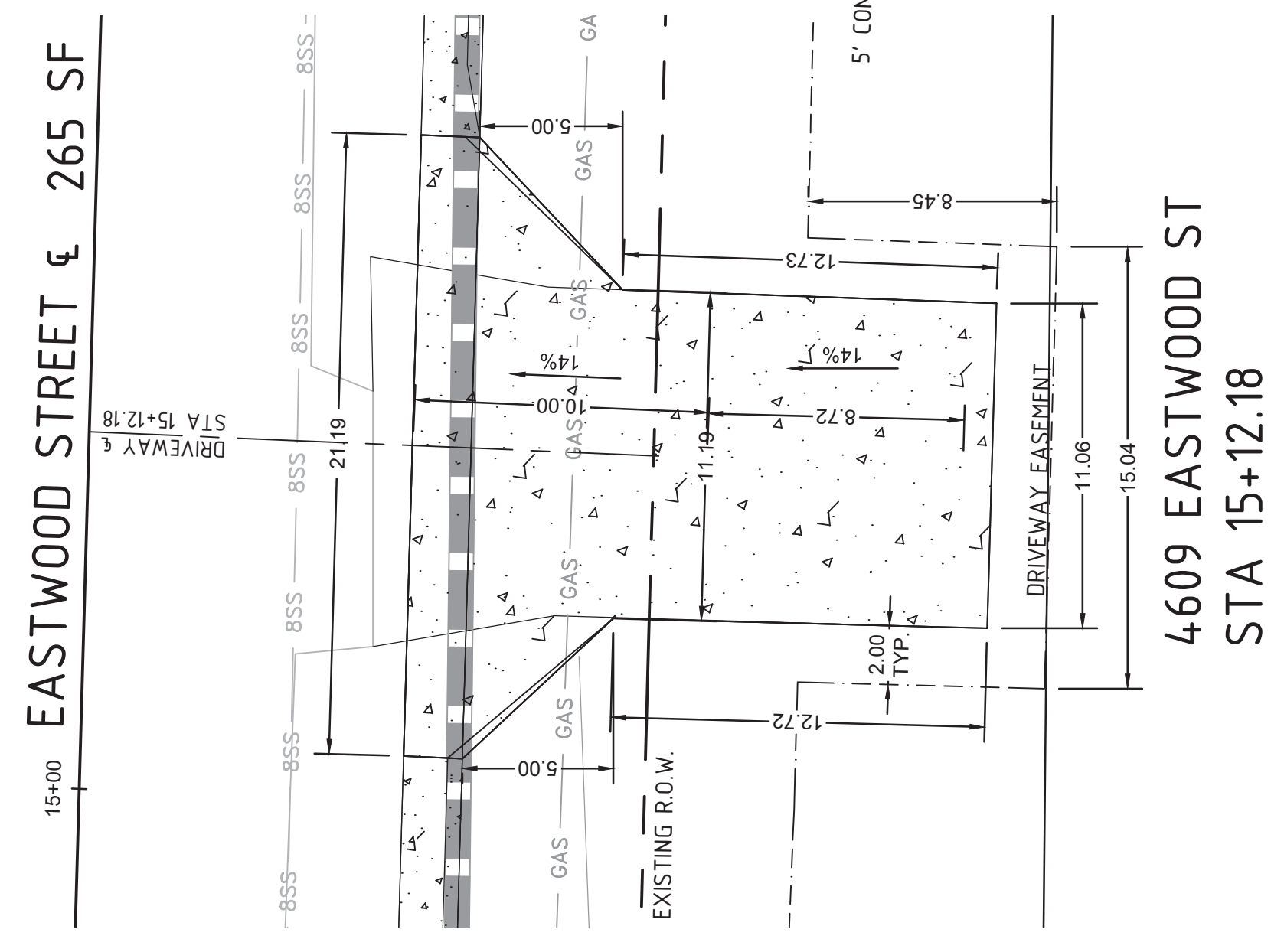
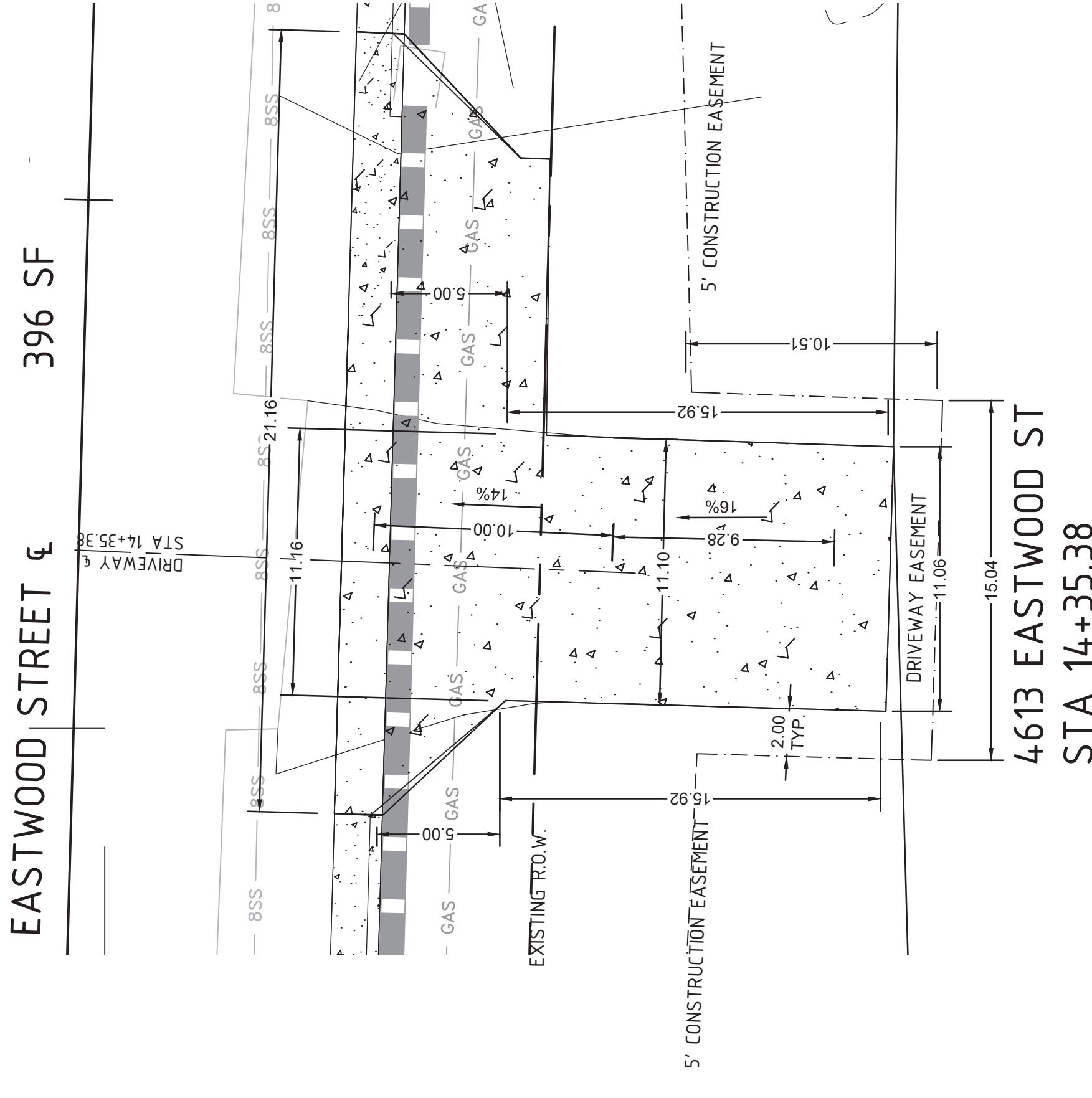
REVISIONS	DATE

CITY OF LITTLE ROCK, ARKANSAS
 EASTWOOD STREET RECONSTRUCTION
 90% PRELIMINARY DESIGN
 DRIVEWAY DETAILS (SHEET 3 OF 3)

DEPARTMENT OF PUBLIC WORKS
 CIVIL ENGINEERING
 701 W. MARKHAM
 LITTLE ROCK, ARKANSAS 72201



DRAWN BY
 KWIS
 DESIGNED
 BCJ
 CHECKED
 JEB
 DATE
 01/22/2020
 SCALE
 1" = 5'
 PROJECT NO.
 07-17-ST-293
 SHEET NO.
C14



90% PRELIMINARY DESIGN

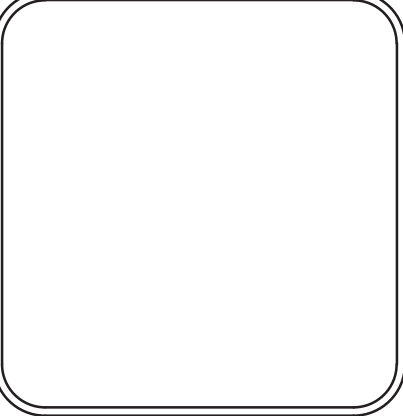
FOR REVIEW ONLY

These documents are for Design Review and not intended for Construction, Bidding or Permit Purposes. They were prepared by, or under the supervision of:
 JEFFREY BRISCOE P.E.# 17332 01/22/2020
 Date

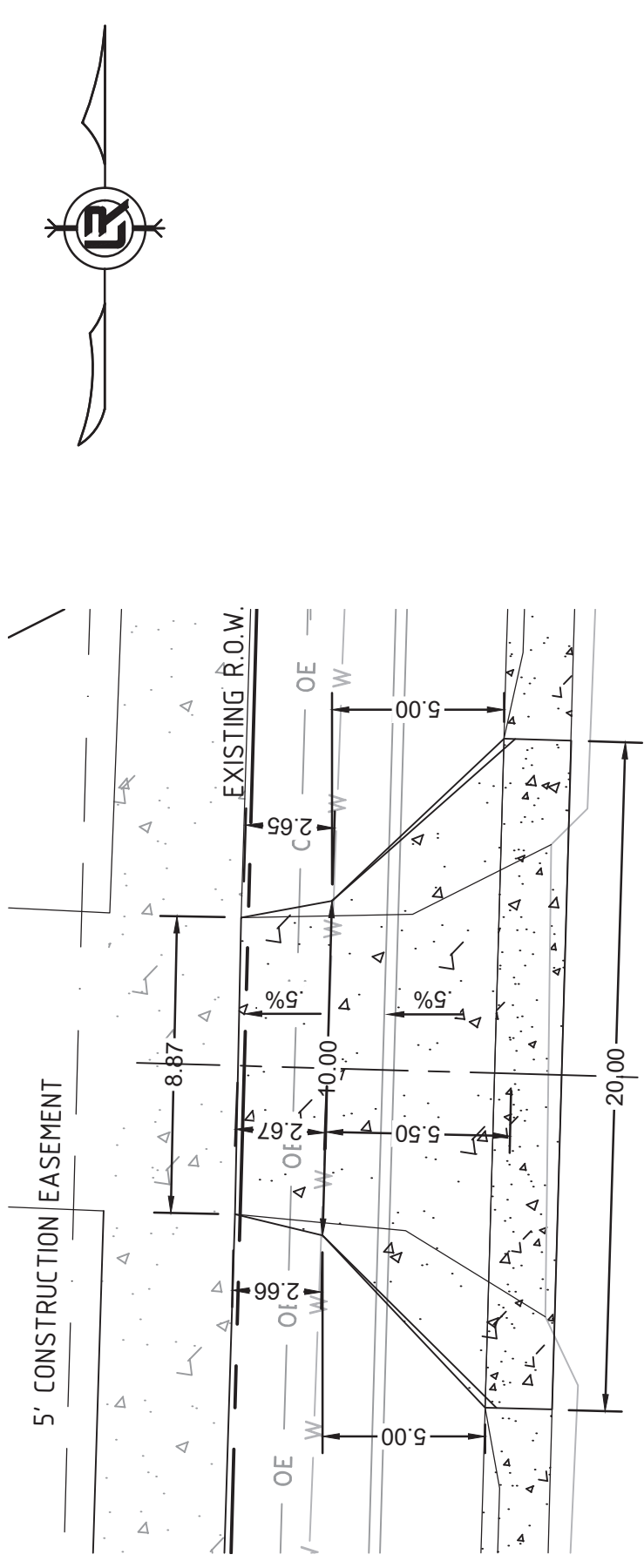
REVISIONS	DATE

CITY OF LITTLE ROCK, ARKANSAS
 EASTWOOD STREET RECONSTRUCTION
 90% PRELIMINARY DESIGN
 DRIVEWAY DETAILS (SHEET 1 OF 3)

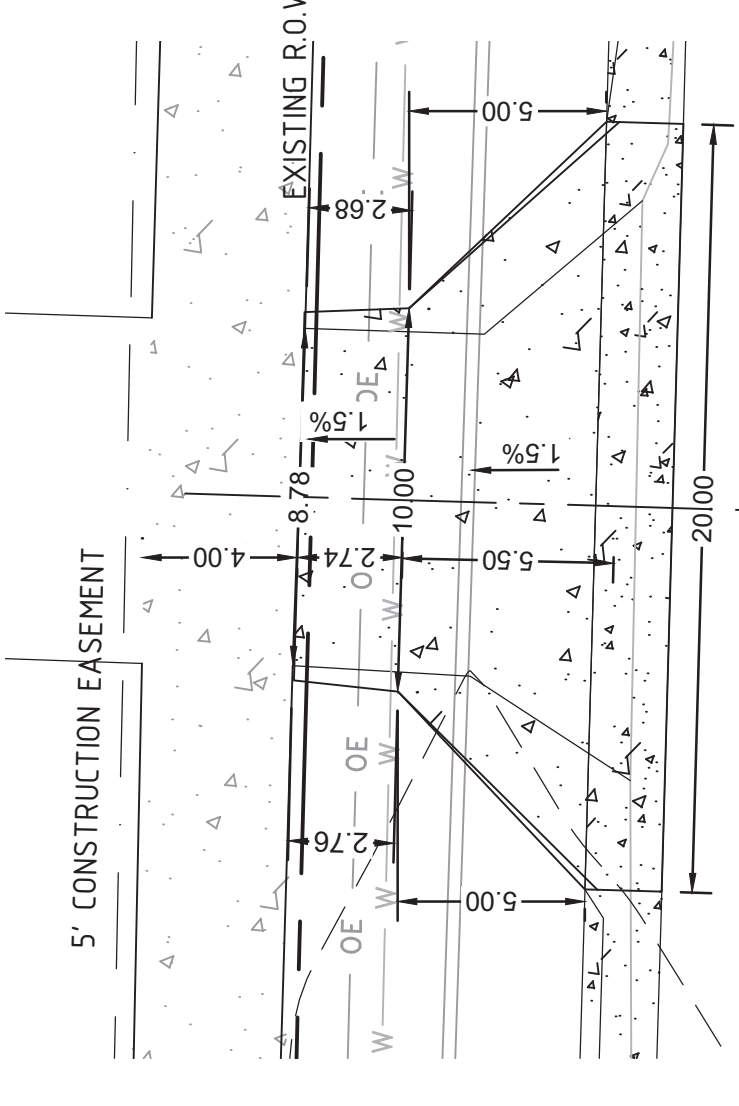
DEPARTMENT OF PUBLIC WORKS
 CIVIL ENGINEERING
 701 W. MARKHAM
 LITTLE ROCK, ARKANSAS 72201



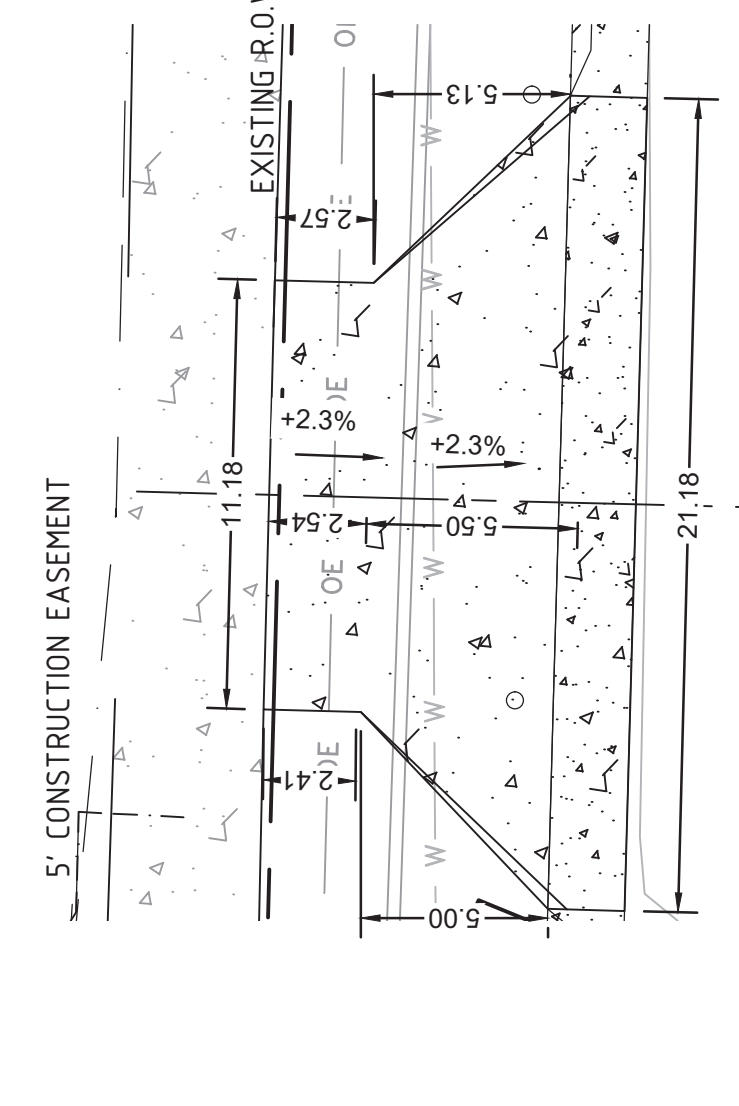
DRAWN BY
 KWS
 DESIGNED
 BCJ
 CHECKED
 JEB
 DATE
 01/22/2020
 SCALE
 1"=5'
 PROJECT NO.
 07-17-ST-293
 SHEET NO.
C12



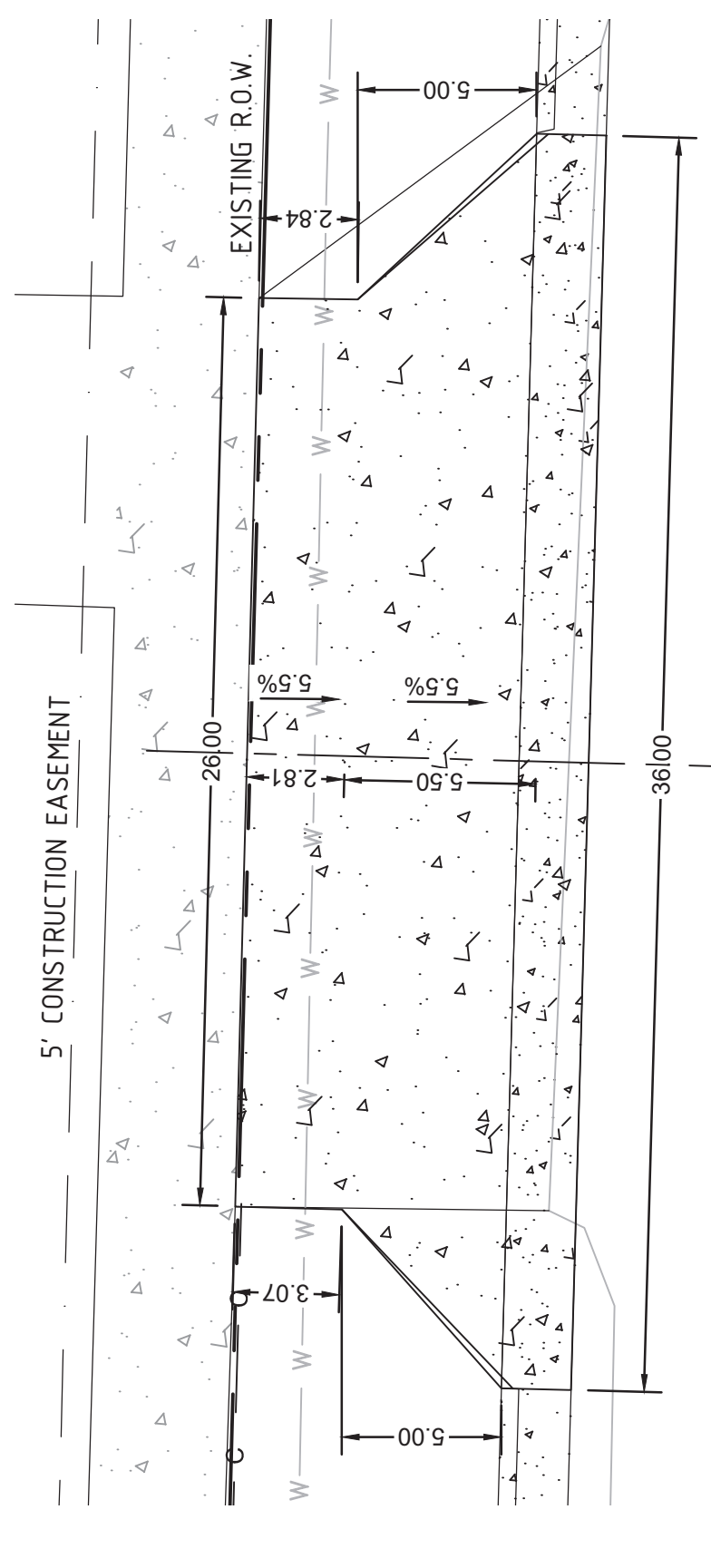
EASTWOOD STREET & 141 SF
 4704 EASTWOOD ST
 STA 12+52.42



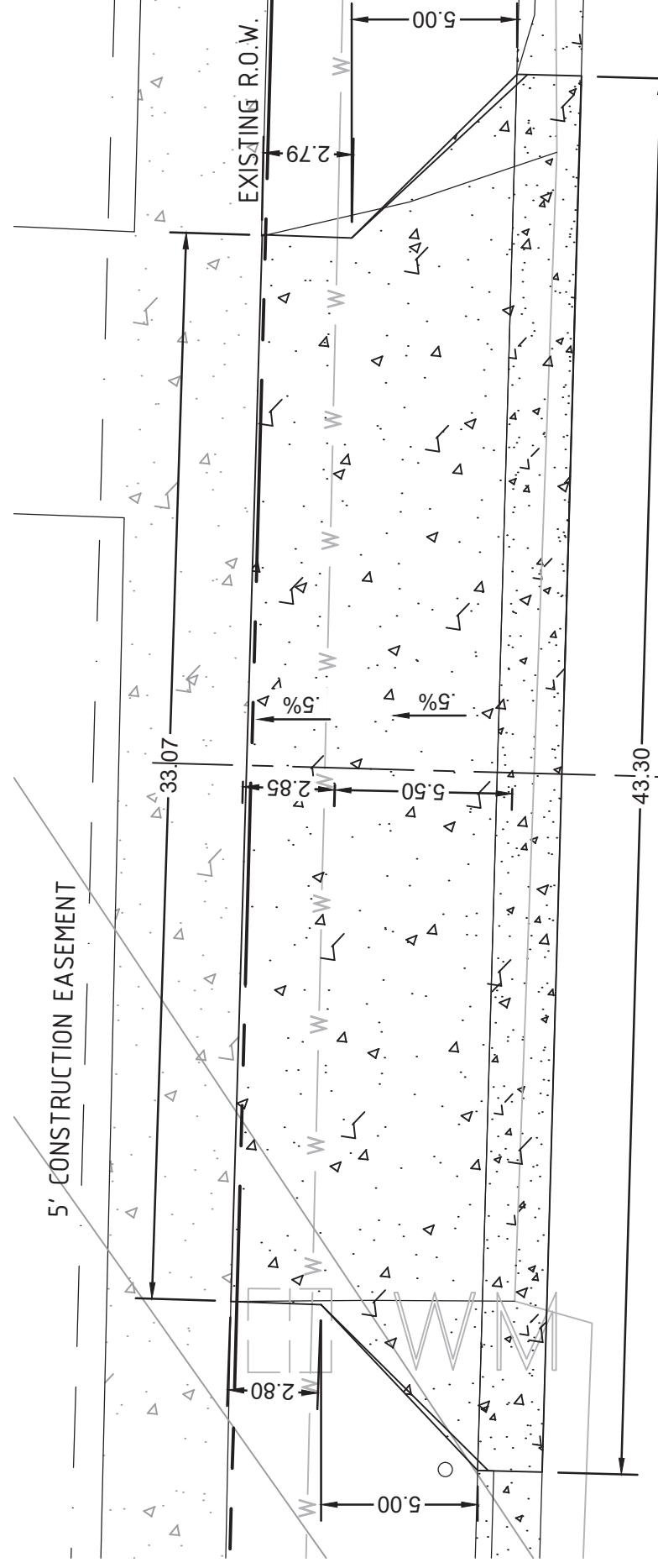
EASTWOOD STREET & 179 SF
 4710 EASTWOOD ST
 STA 11+75.75



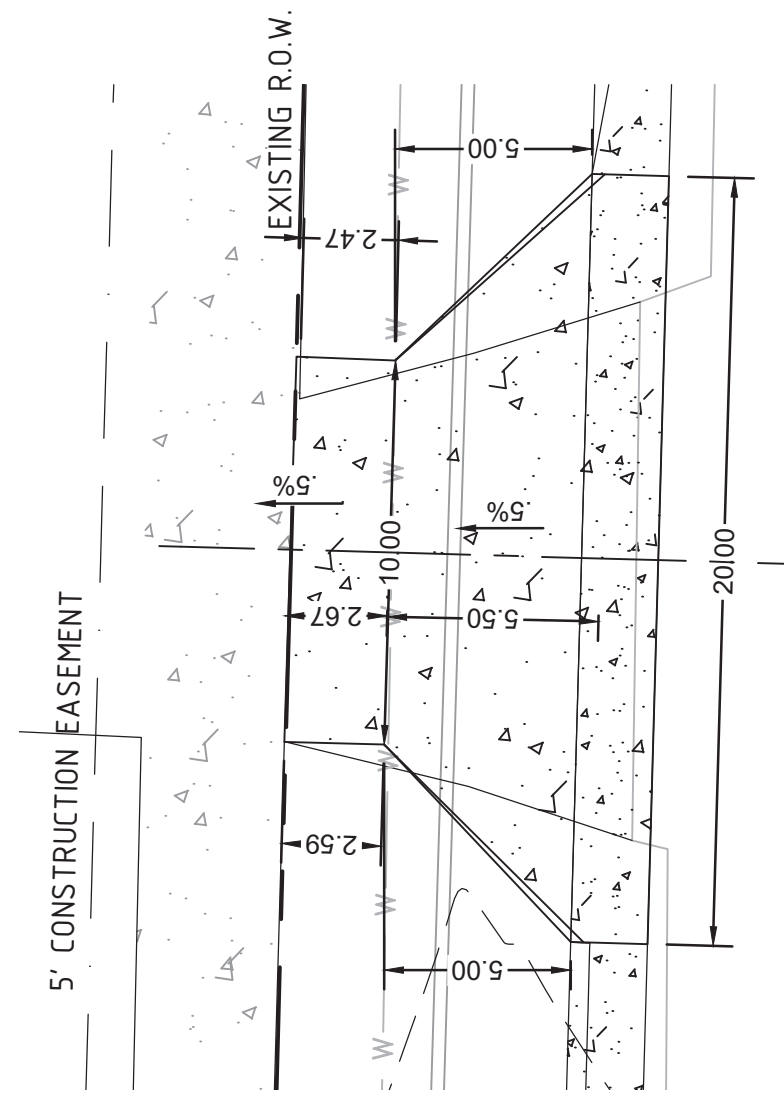
EASTWOOD STREET & 152 SF
 4716 EASTWOOD ST
 STA 10+68.24



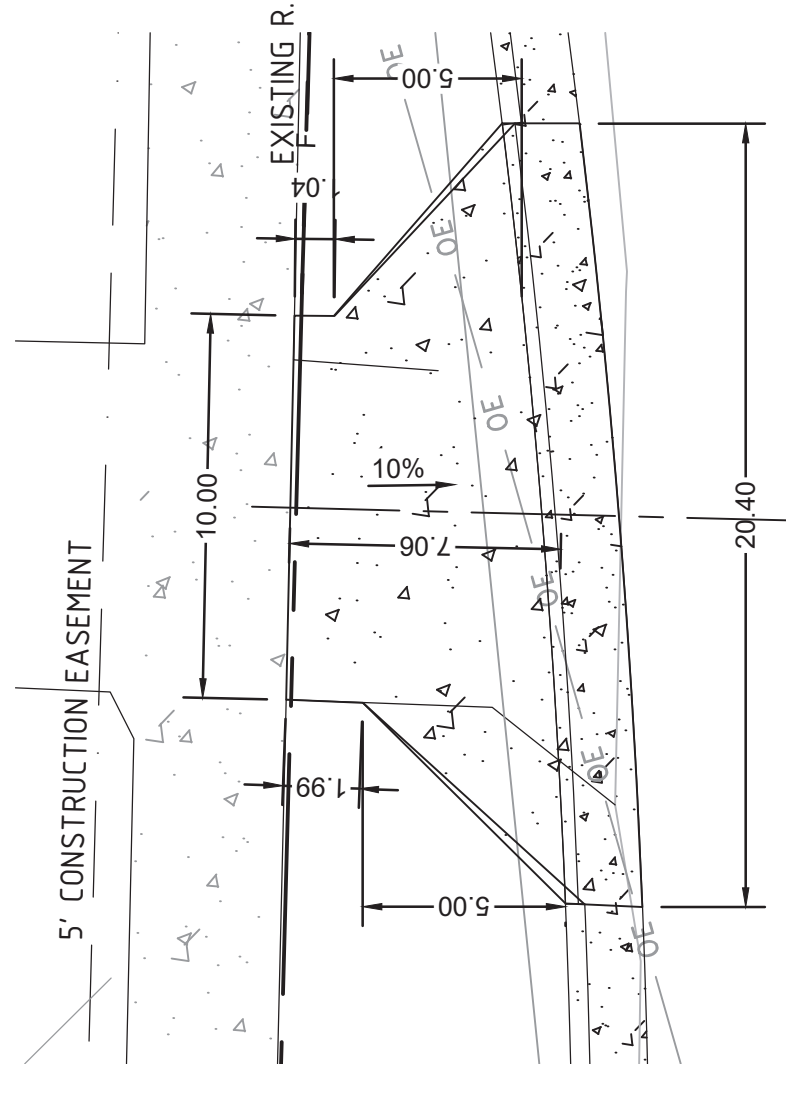
EASTWOOD STREET & 300 SF
 4616 EASTWOOD ST
 STA 14+71.82



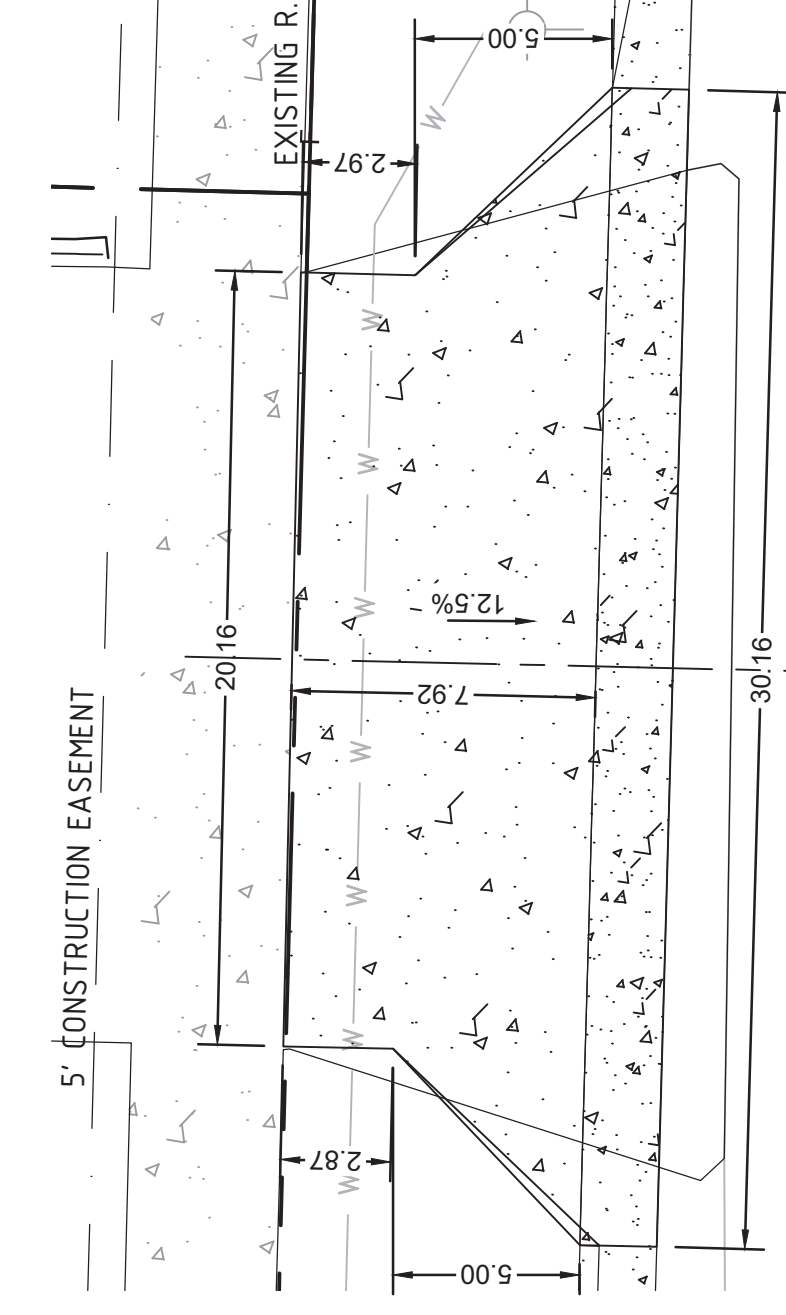
EASTWOOD STREET & 370 SF
 4620 EASTWOOD ST
 STA 13+91.53



EASTWOOD STREET & 178 SF
 4700 EASTWOOD ST
 STA 13+26.79



EASTWOOD STREET & 132 SF
 4608 EASTWOOD ST
 STA 16+28.70



EASTWOOD STREET & 245 SF
 4612 EASTWOOD ST
 STA 15+57.06



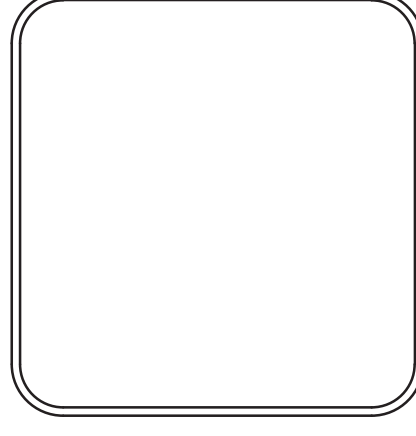
90% PRELIMINARY DESIGN

FOR REVIEW ONLY
 These documents are for Design Review and not intended for Construction, Bidding or Permit Purposes. They were prepared by, or under the supervision of:
 JEFFREY BRISCOE P.E.# 17332 01/22/2020
 Date

REVISIONS	DATE

CITY OF LITTLE ROCK, ARKANSAS
 EASTWOOD STREET RECONSTRUCTION
 CHANNEL CONNECTION DETAILS (SHEET 1 OF 1)
 90% PRELIMINARY DESIGN

DEPARTMENT OF PUBLIC WORKS
 CIVIL ENGINEERING
 701 W. MARKHAM
 LITTLE ROCK, ARKANSAS 72201

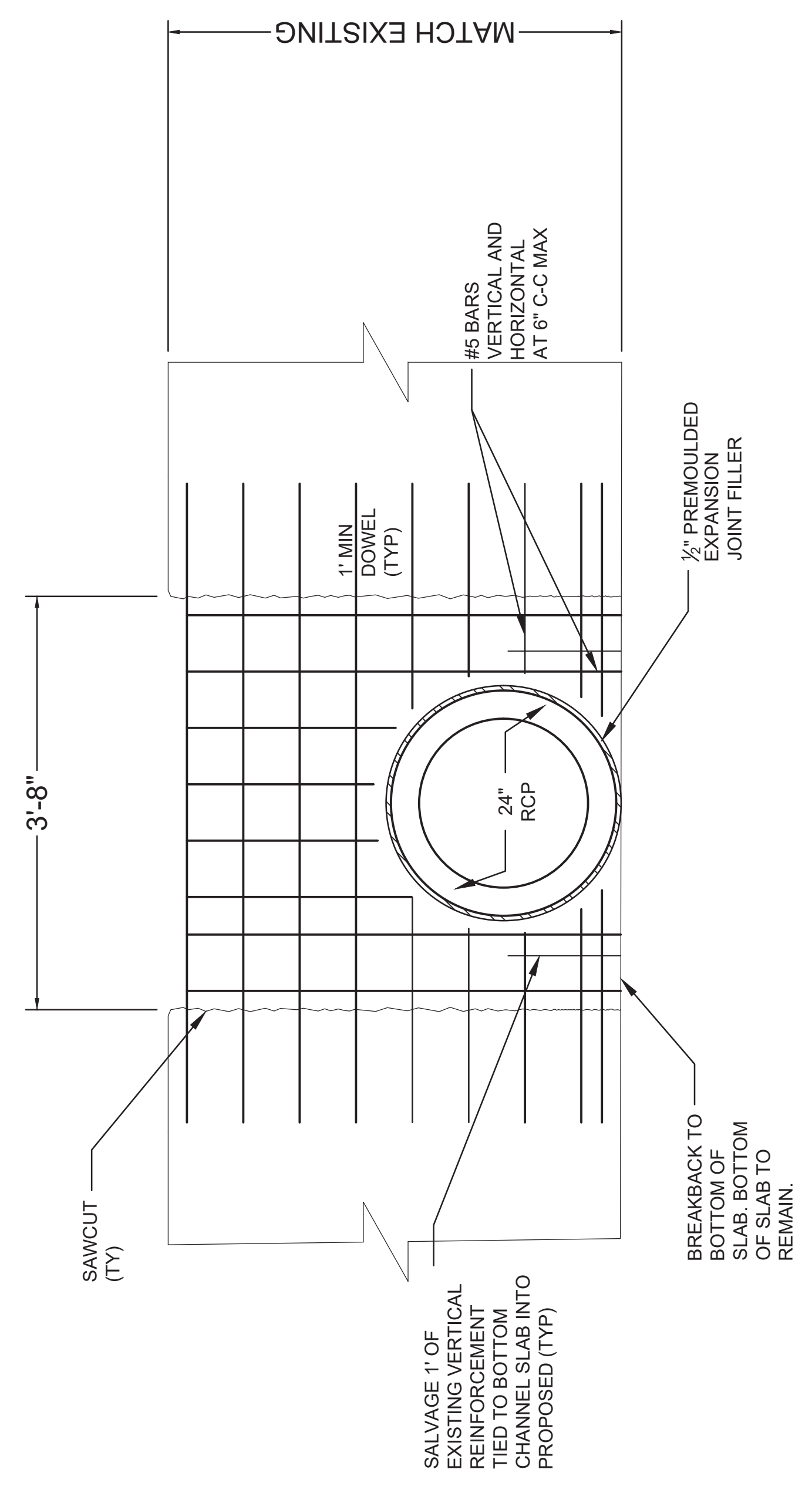


DRAWN BY
 KWS
 DESIGNED
 BCJ
 CHECKED
 JEB
 DATE
 01/22/2020
 SCALE
 N/A
 PROJECT NO.
 07-17-ST-293
 SHEET NO.
C15



EXISTING CONCRETE CHANNEL SECTION
 NOT TO SCALE

- NOTE:
1. ALL CONCRETE SHALL BE CLASS 'C', $f_c = 3,000$ PSI. REINFORCEMENT SHALL HAVE A 2" MIN CLEAR COVER
 2. CHAMFER EXPOSED CONCRETE EDGES $3/4"$.
 - 3.



SECTION A-A
 NOT TO SCALE

90% PRELIMINARY DESIGN

FOR REVIEW ONLY

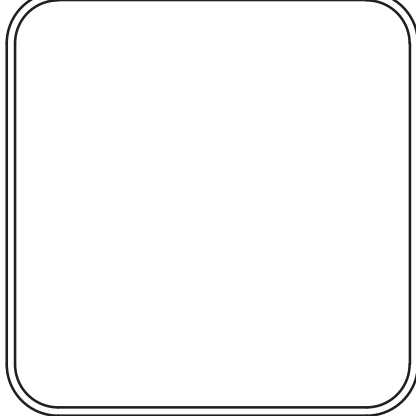
These documents are for Design Review and not intended for Construction, Bidding or Permit Purposes. They were prepared by, or under the supervision of:

JEFFREY BRISCOE P.E.# 17332 01/22/2020
 Date

REVISIONS	DATE

CITY OF LITTLE ROCK, ARKANSAS
EASTWOOD STREET RECONSTRUCTION
 90% PRELIMINARY DESIGN
 PROJECT LAYOUT (SHEET 1 OF 2)

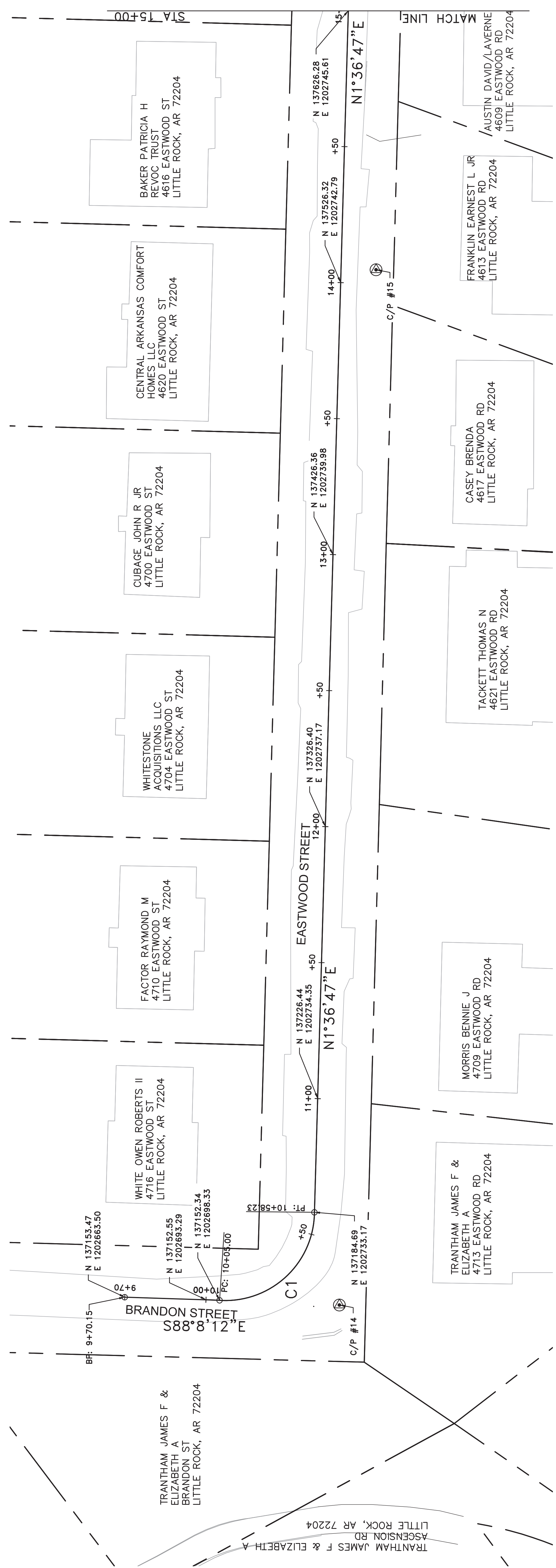
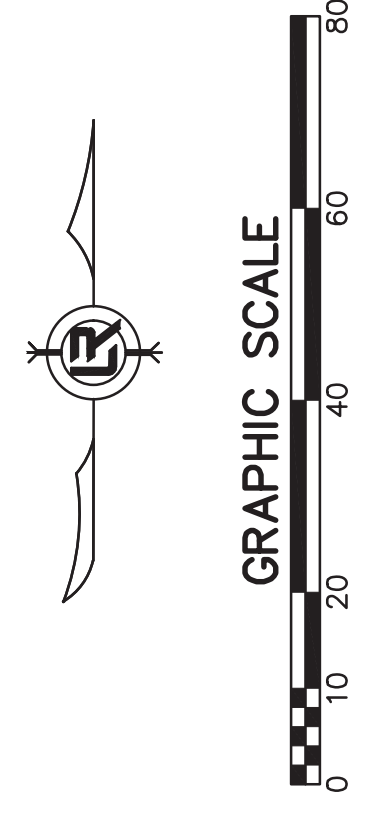
DEPARTMENT OF PUBLIC WORKS
 CIVIL ENGINEERING
 701 W. MARKHAM
 LITTLE ROCK, ARKANSAS 72201



DRAWN BY KWS	DESIGNED BCJ	CHECKED JEB	DATE 01/22/2020
SCALE 1" = 20'			PROJECT NO. 07-17-ST-293
SHEET NO. C16			

SURVEY CONTROL POINTS EASTWOOD STREET							
POINT	DESCRIPTION	NORTHING	EASTING	ELEVATION	BASELINE REFERENCE	BASELINE STATION	BASELINE OFFSET
C/P #14	60D NAIL AT INTERSECTION OF EASTWOOD STREET AND BRANDON STREET AND EAST OF EAST CURB OF EASTWOOD STREET	137150.62	1202742.33	287.96	EASTWOOD STREET	10+36.04	21.4 RT
C/P #15	60D NAIL EAST OF EAST CURB OF EASTWOOD STREET	137531.08	1202755.82	300.40	EASTWOOD STREET	14+05.12	12.9 RT

CURVE TABLE					
CURVE	ARC LENGTH	RADIUS	CHORD BEARING	CHORD LENGTH	DELTA ANGLE
C1	53.23	32.70	N47°7'18"E	47.55	93°15'36"



90% PRELIMINARY DESIGN

FOR REVIEW ONLY

These documents are for Design Review and not intended for Construction, Bidding or Permit purposes. They were prepared by, or under the supervision of:
JEFFREY BRISCOE P.E.# 17332 01/22/2020
 Date

- NOTES:**
1. LOTS 4600 AND 4713 WERE DRAWN USING LEGAL DESCRIPTIONS FROM THE WARRANTY DEED, PROVIDED BY PULASKICLERK.COM.
 2. THE GOSPEL ASSEMBLY CHURCH WAS DRAWN USING THE FINAL PLAT FROM 1982.
 3. ALL REMAINING LOTS WERE DRAWN USING INFORMATION FROM THE PIKE ADDITION PLAT 1907, AND FROM PROPERTY LEGAL DESCRIPTIONS PROVIDED BY ARCOUNTY.COM.
 4. PROPERTY STRUCTURES WERE DRAWN USING GOOGLE EARTH 2013.

REVISIONS	DATE

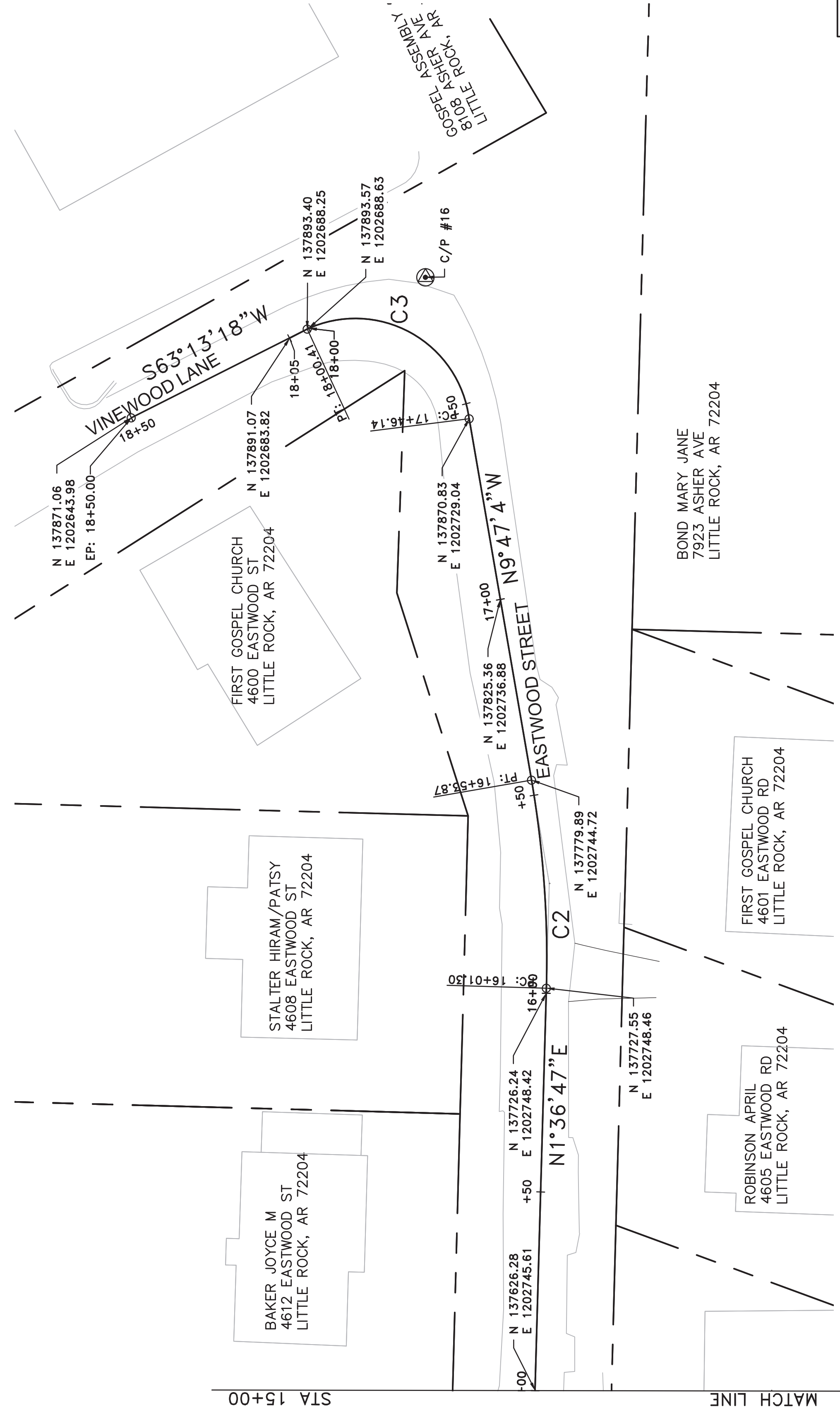
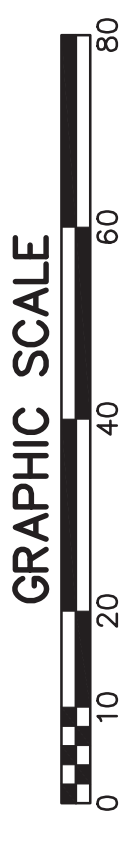
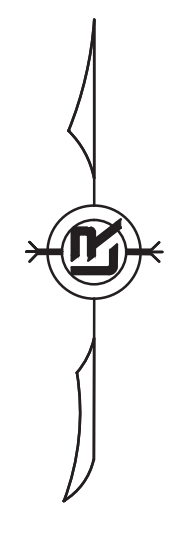
CITY OF LITTLE ROCK, ARKANSAS
 EASTWOOD STREET RECONSTRUCTION
 90% PRELIMINARY DESIGN
 PROJECT LAYOUT (SHEET 2 OF 2)

DEPARTMENT OF PUBLIC WORKS
 CIVIL ENGINEERING
 701 W. MARKHAM
 LITTLE ROCK, ARKANSAS 72201

DRAWN BY
 KWS
 DESIGNED
 BCJ
 CHECKED
 JEB
 DATE
 01/22/2020
 SCALE
 1" = 20'
 PROJECT NO.
 07-17-ST-293
 SHEET NO.
C17

SURVEY CONTROL POINTS EASTWOOD STREET							
POINT	DESCRIPTION	NORTHING	EASTING	ELEVATION	BASELINE REFERENCE	BASELINE STATION	BASELINE OFFSET
C/P #16	60D NAIL AT INTERSECTION OF EASTWOOD STREET AND VINEWOOD LANE AND NORTHEAST OF EAST CURB OF EASTWOOD STREET	1202718.01	137906.41	332.23	EASTWOOD STREET	17+75.67	14.1 RT

CURVE TABLE					
CURVE	ARC LENGTH	RADIUS	CHORD BEARING	CHORD LENGTH	DELTA ANGLE
C2	52.57	264.26	N4°5'8"W	52.48	11°24'50"
C3	54.27	28.86	N61°2'40"W	46.62	107°44'50"



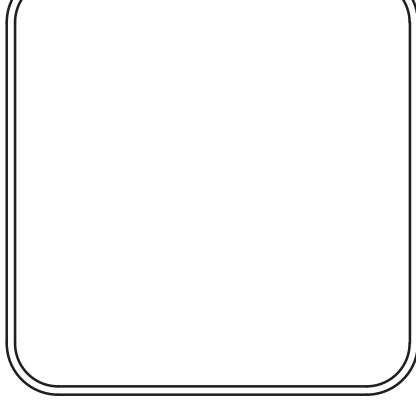
FOR REVIEW ONLY
 These documents are for Design Review and not intended for Construction, Bidding or Permit purposes. They were prepared by, or under the supervision of:
 JEFFREY BRISCOE P.E.# 17332 01/22/2020
 Date

NOTES:
 1. LOTS 4600 AND 4713 WERE DRAWN USING LEGAL DESCRIPTIONS FROM THE WARRANTY DEED PROVIDED BY PULASKICLERK.COM.
 2. THE GOSPEL ASSEMBLY CHURCH WAS DRAWN USING THE FINAL PLAT FROM 1982.
 3. ALL REMAINING LOTS WERE DRAWN USING INFORMATION FROM THE PIKE ADDITION PLAT 1907, AND FROM PROPERTY LEGAL DESCRIPTIONS PROVIDED BY ARCOUNTRY.COM.
 4. PROPERTY STRUCTURES WERE DRAWN USING GOOGLE EARTH 2013.

REVISIONS	DATE

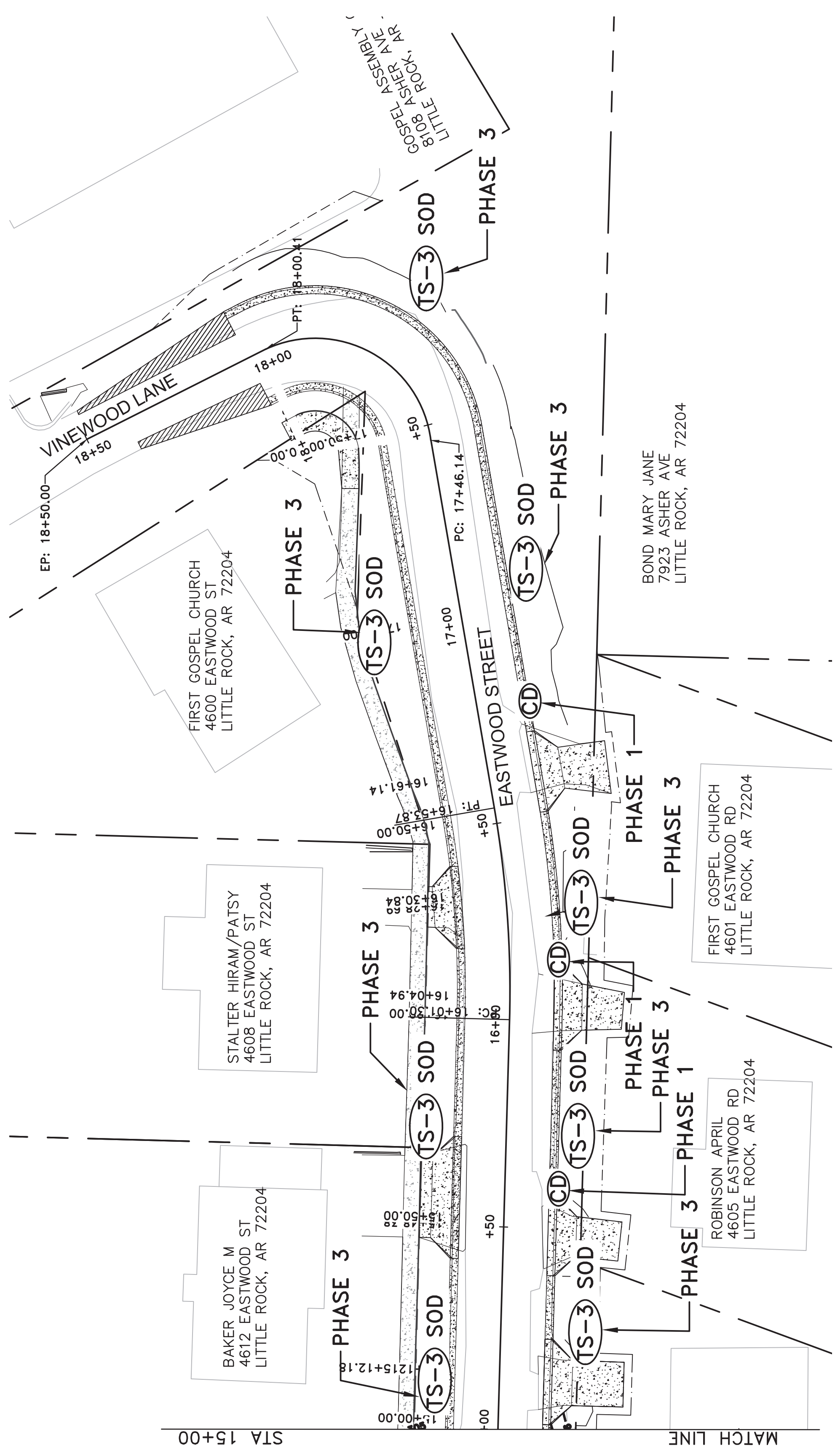
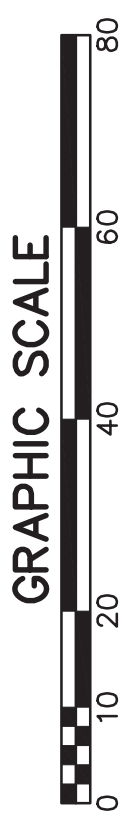
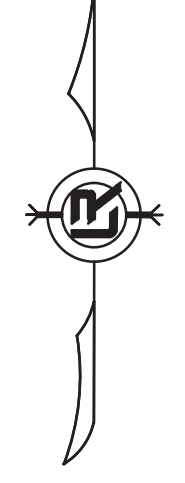
CITY OF LITTLE ROCK, ARKANSAS
 EASTWOOD STREET RECONSTRUCTION
 90% PRELIMINARY DESIGN
 EROSION CONTROL (SHEET 2 OF 2)

DEPARTMENT OF PUBLIC WORKS
 CIVIL ENGINEERING
 701 W. MARKHAM
 LITTLE ROCK, ARKANSAS 72201



DRAWN BY
 KWS
 DESIGNED
 BCJ
 CHECKED
 JEB
 DATE
 01/22/2020
 SCALE
 1" = 20'
 PROJECT NO.
 07-17-ST-293
 SHEET NO.
C19

PHASING LEGEND
 PHASE 1 (INITIAL STRIP AND DEMOLITION)
 PHASE 2 (NEW DRAINAGE AND NEW BASE COURSE IN PLACE)
 PHASE 3 (PAVED, GRASS NOT YET ESTABLISHED)



90% PRELIMINARY DESIGN

FOR REVIEW ONLY

These documents are for Design Review and not intended for Construction, Bidding or Permit purposes. They were prepared by, or under the supervision of:
 JEFFREY BRISCOE P.E.# 17332 01/22/2020
 Date

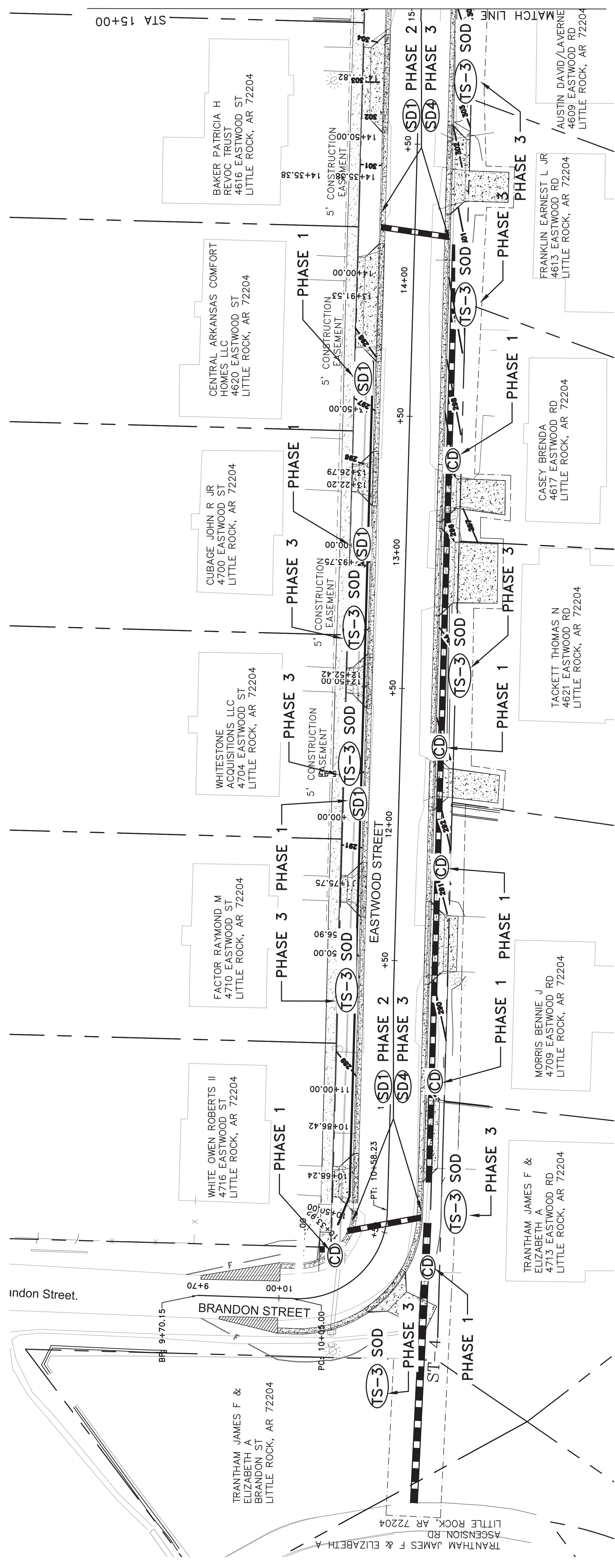
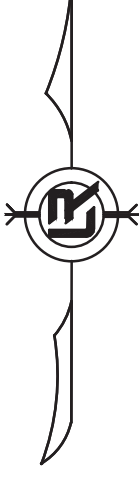
REVISIONS	DATE

CITY OF LITTLE ROCK, ARKANSAS
 EASTWOOD STREET RECONSTRUCTION
 90% PRELIMINARY DESIGN
 EROSION CONTROL (SHEET 1 OF 2)

DEPARTMENT OF PUBLIC WORKS
 CIVIL ENGINEERING
 701 W. MARKHAM
 LITTLE ROCK, ARKANSAS 72201

DRAWN BY
 DESIGNED
 CHECKED
 JEB
 DATE
 01/22/2020
 SCALE
 1" = 20'
 PROJECT NO.
 07-17-ST-293
 SHEET NO.
C18

PHASING LEGEND
 PHASE 1 (INITIAL STRIP AND DEMOLITION)
 PHASE 2 (NEW DRAINAGE AND NEW BASE COURSE IN PLACE)
 PHASE 3 (PAVED, GRASS NOT YET ESTABLISHED)



90% PRELIMINARY DESIGN

FOR REVIEW ONLY
 These documents are for Design Review and not intended for Construction, Bidding or Permit Purposes. They were prepared by, or under the supervision of:
 JEFFREY BRISCOE P.E.# 17332 01/22/2020
 Date